

BALLOON

A-3050L / A-3050L BF

493030505

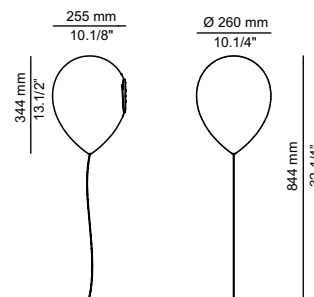
Aplique con luz directa e indirecta. Pantalla de polietileno satinado (material traslúcido) e interruptor-tirador (se puede inutilizar).

Wall sconce providing direct and indirect light. Shade is made of satinated polyethylene (translucent) and pull switch in the cord (it can be disconnected).



850°

IP
20



Sep. 2011

LE RECOMENDAMOS LEA LAS INSTRUCCIONES ANTES DE PROCEDER A LA INSTALACIÓN. GUARDE LAS INSTRUCCIONES PARA FUTURAS REFERENCIAS.

- * Asegúrese de que la corriente está desconectada antes de conectar el aparato.
- * El montaje de luminarias debe ser efectuado solamente por personal técnico.
- * No utilizar bombillas con potencia superior a la indicada en la etiqueta.
- * Únicamente para uso en interiores.
- * Para limpieza no utilizar alcohol ni disolventes
- * Recomendamos la intervención de 2 personas para el montaje de la lámpara

WE RECOMMEND TO READ THE INSTRUCTIONS ENTIRELY BEFORE STARTING YOUR INSTALLATION. PLEASE SAVE THESE INSTRUCTIONS SO THAT YOU CAN REFER TO THEM A LATER TIME.

- * Make sure the power has been disconnected before installing the fixture.
- * Lighting fixtures should be installed only by qualified personnel.
- * Make sure the bulb never exceeds the maximum wattage specified on the fixture label.
- * For indoor use only.
- * Do not use alcohol or disolvents to clean the lamp
- * For your convenience assembly by two people ist recommended.



UL 1598 ELECTRICAL INSTRUCTIONS FOR FLUSHMOUNTS, WALL SCONCES AND PENDANTS

SAVE THESE INSTRUCTIONS. MIN 90C SUPPLY CONDUCTORS. CAUTION-RISK OF FIRE. USE STATED WATT OR SMALLER. CAUTION-RISK OF SHOCK. DISCONNECT POWER BEFORE SERVICING. TO REDUCE THE RISK OF A BURN DURING RELAMPING, ALLOW THE BULB TO COOL DOWN. SUITABLE FOR DRY LOCATIONS ONLY. THIS PRODUCT MUST BE INSTALLED IN ACCORDANCE WITH THE APPLICABLE INSTALLATION CODE BY A PERSON FAMILIAR WITH THE CONSTRUCTION AND OPERATION OF THE PRODUCT AND THE HAZARD INVOLVED.

WARNING: ALL WIRES AND WIRE NUTS USED IN THE INSTALLATION MUST BE RATED 195F (90°C). FOR INDOOR USE ONLY. THESE PRODUCT MUST BE INSTALLED BY A QUALIFIED ELECTRICIAN.

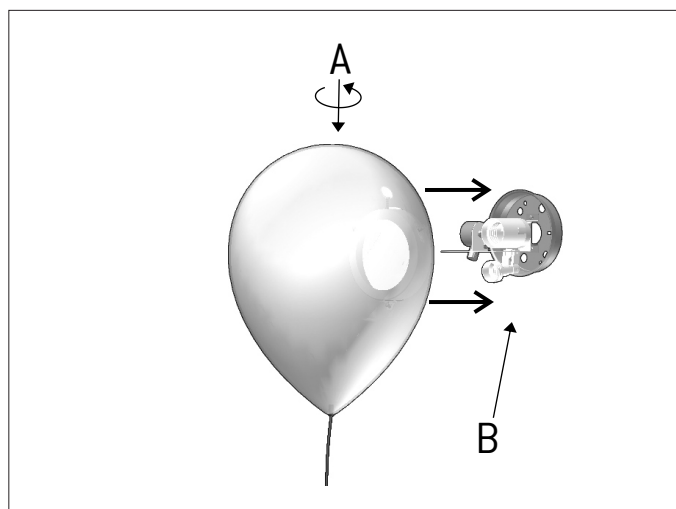
Attention: Use a dry cloth to clean the shade (mix one drop of dishwashing soap with one liter of water). Use only lint-free fabrics.

Assembly instructions

We recommend installing the lamp with clean hands.

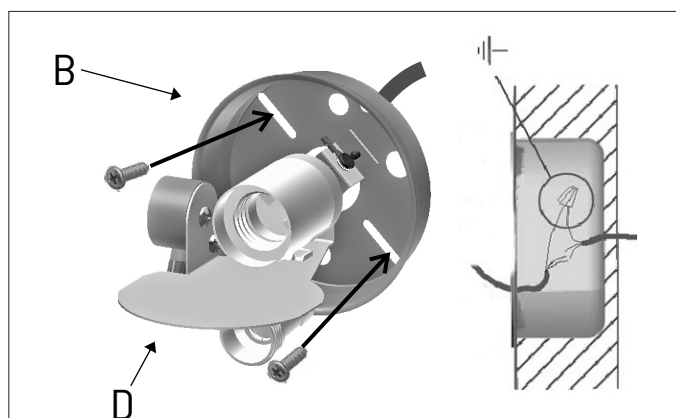
1- Loosen the screw (A) located behind the shade (we recommend you not to remove the screw totally to make it easier afterwards). Remove the mounting bracket (B). Figure 1.

1



2- Before marking the holes where the mounting bracket (B) will get screwed to the wall, make sure that the piece (D) remains horizontal use a level if needed-Affix the mounting bracket (B) to the wall or the electrical junction box. Insert the electrical wires from the outlet box into the mounting bracket. Connect the electrical wires. Figure 2.

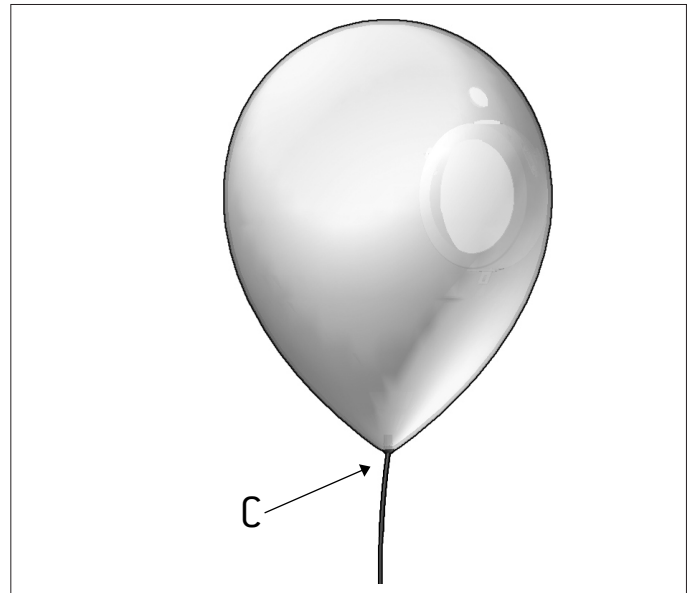
2



Assembly instructions

3- Insert the fluor bulb not included. In case needed, insert the switch string into the hole [C]. Figure 3.

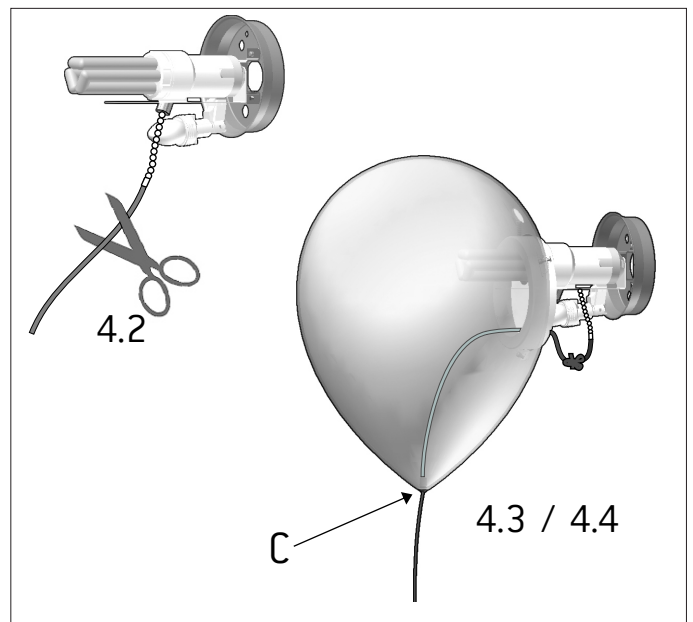
3



4- To change the colour of the string (**optional**), figure 4:

1. buy a string of the desired colour with a maximum diameter of 2,5 mm
2. cut the string leaving approximately 15 cms

4



5- Attach and affix the shade to the mounting bracket [B] using the screw [A] removed previously in step one. Figure 5.

5

