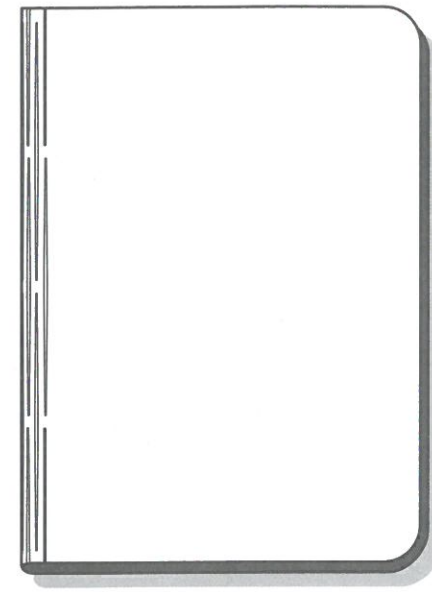


Thxi

## What's Inside



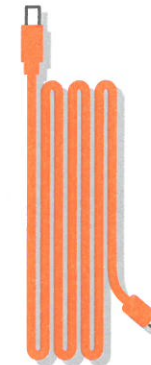
lumio lamp



leather strap



magnetic wooden pegs



micro USB cable



accessory bag

### Package Contents

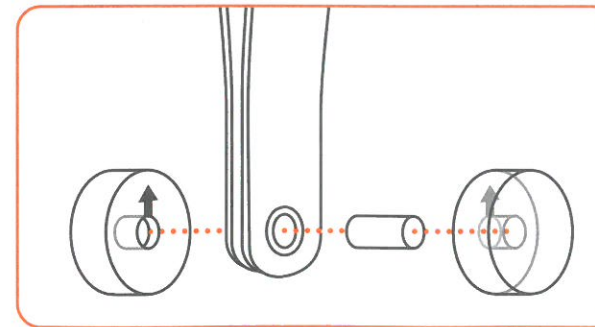
Please make sure all of the parts shown above are included in your Lumio package. Let us know right away if any part is missing by sending an email to [support@hellolumio.com](mailto:support@hellolumio.com)

The package contains:

- Lumio lamp
- Cloth covered micro USB cable
- Magnetic wooden pegs
- Leather strap
- Drawstring accessory bag
- User manual

The outer package also functions as a carrying slip case for your Lumio. It is recommended that you use this case for protection whenever you travel.

The magnetic wooden pegs function as wall mounts and can be assembled into one piece for hanging and table top application. Please see the "How To" section for information on the different applications. See the diagram below for reference on how to assemble the wooden pegs.



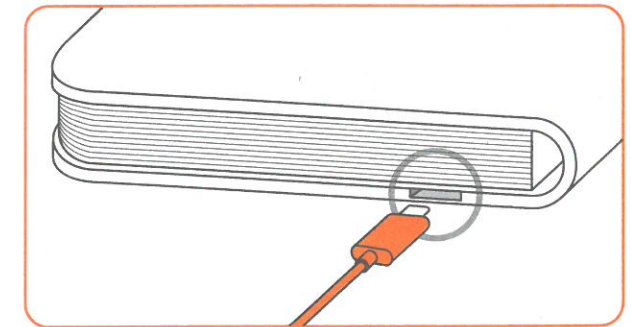
### Charging

Connect Lumio to a power source using the micro USB cable provided in this package. The USB cable can be plugged into any wall-plug style USB power source such as the standard iPad/iPhone USB wall adaptor. The charger LED will turn red while the device is charging and will turn green when it's fully charged.

Our large capacity battery provides powerful lighting for up to 8 continuous hours. To minimize the required charging time, it is recommended to use at least a 2A power adaptor (your standard iPad charger) or a 3A adaptor (available online or at any reputable electronics store).

It is recommended that you charge Lumio for a full 8 hours prior to use. After the initial use, normal charging time for maximum power using 2A adaptor is 5 to 6 hours and 3 to 4 hours using 3A adaptor.

It is not recommended to charge Lumio using your computer USB port given its low power output. Charging time for this method could take up to 24 hours.



The Lumio Team



Sincerely,

We're here for you, please don't hesitate to let us know what we can do to make your experience better: [wecare@hellolumio.com](mailto:wecare@hellolumio.com).

It's our mission to make each piece feels extra special and help you build memorable experiences with Lumio.

We truly believe that when it comes to quality, it's the little details and the things you don't see that sometimes make the biggest difference. We put a lot of care and thought into each piece of Lumio - whether it's the hand selected natural wood, our unique laser-cut spine design or the sophisticated electronics that allows it to function intuitively with enough power to light up a room (despite its small size).

Thanks for choosing Lumio - we hope you enjoy it!

# Hello!

We would love to see and hear how you use Lumio. Please share your photos and stories on our social media pages:  
[Facebook.com/hellolumio](https://www.facebook.com/hellolumio)  
[Twitter.com/hellolumio](https://twitter.com/hellolumio)  
[Instagram/hellolumio](https://www.instagram.com/hellolumio)

Sign up for our newsletter at [hellolumio.com](http://hellolumio.com)



# Lumio

USER MANUAL



# How To

Lumio is designed to have multiple functions so it can be easily personalized to meet your changing needs. From task lighting to ambient light and from indoor to temporary outdoor use, Lumio can be transformed into many configurations and expands 360 degrees. Here are a few ways to configure Lumio using the accessories included in the package:

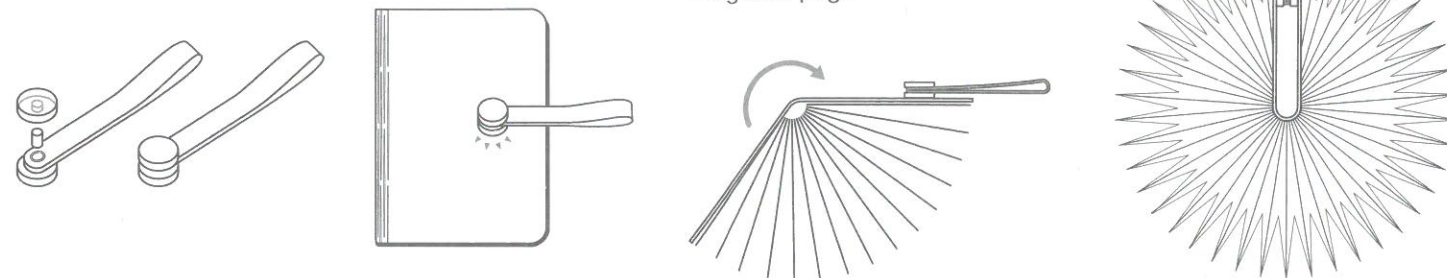
## Hanging Pendant

1. Insert the leather strap into the middle section of the magnetic pegs.

2. Attach the magnetic peg to one side of the book cover.

3. Open the book all the way to 360 degrees until both sides of the cover are securely attached to the magnetic peg.

4. Use the leather strap to hang the lamp.



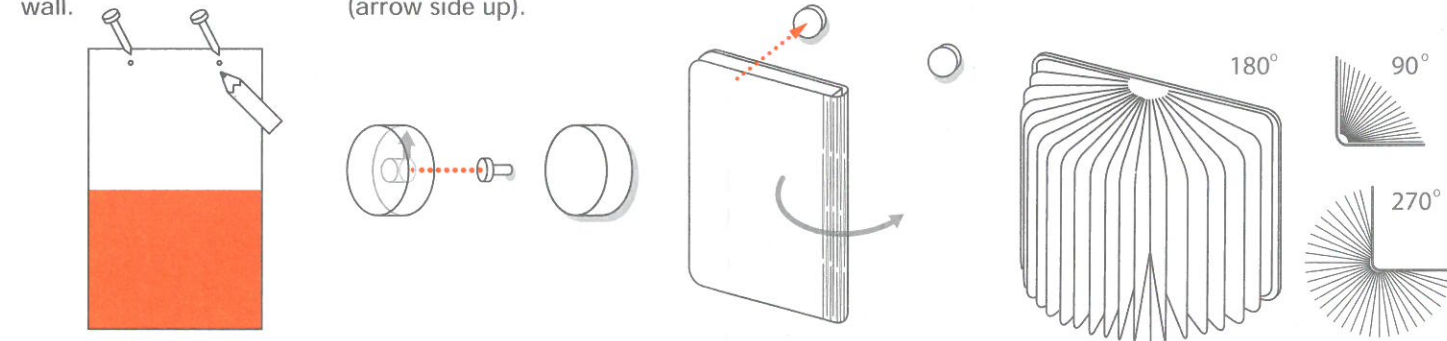
## Wall-Mount

1. Use the two red guide dots on this manual to space (2) mounting screws on the wall.

2. Insert the round opening on the magnetic pegs onto the mounting screws (arrow side up).

3. Securely mount the book cover to the magnetic pegs one side at a time.

4. You can mount Lumio on any wall corners (90 or 270 degrees) or surfaces (180 degrees).



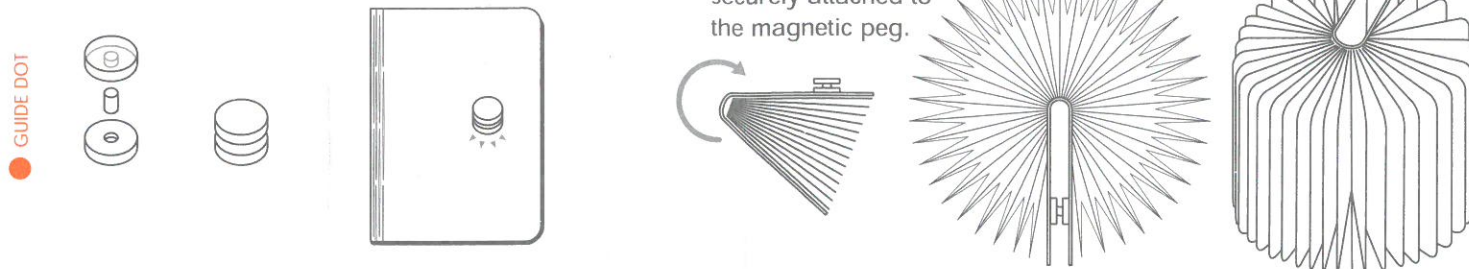
## Table Top

1. Assemble the magnetic wooden pegs into one piece.

2. Attach the magnetic peg to one side of the book cover.

3. Open the book all the way to 360 degrees until both sides of the cover are securely attached to the magnetic peg.

4. You can display Lumio on a horizontal or vertical position.



## Technical Specifications

Dimensions: 6.5" (16.5cm) W x 8.5" (21.5cm) H x 1.25" (3cm) T

Power: 6.0 W

Weight: approx. 1.5 lbs (0.7 kg)

Cover material: FSC certified plywood with natural veneer

Cover finish: Dark Walnut, Warm Cherry and Blonde Maple

Cover magnet: N52 Neodymium magnets

Body material: 100% recyclable, water resistant Tyvek

Light source: Hi-output LED

Brightness: 500 lumen

Light temperature: 2700K (warm white)

Battery: 11,400 mAh re-chargeable Lithium Polymer

Battery life: 8 hours with constant use

Charging: micro USB charger

## Warranty

We are dedicated to delivering the highest quality products. Your Lumio comes with a six (6) month warranty from the date of purchase. Your warranty is automatic, so there is no need to register. This limited warranty only applies to Lumio lamps purchased in the United States or directly from Lumio's website. For limited warranty coverage elsewhere, please contact your Lumio dealer, reseller, or distributor.

We warrant that this product shall be free from defects in materials or workmanship with the exceptions stated below.

This warranty does not cover damage caused by accident, misuse, abuse, neglect, excessive moisture, lightning, power surges, other acts of nature, unauthorized product modification or repairs, or failure to follow the instructions outlined in the user manual.

We will repair or replace any defective parts, at our option, within a reasonable amount of time and free of charge any time during the warranty period. After service, we will be responsible for shipping the product back to you at our expense.

You will be responsible for shipping or transportation charges directly to Lumio or to an authorized dealer. We recommend that you keep the original shipping materials as it is important that you package the product so that it will not be damaged during shipping. Lumio will not be responsible for any damages incurred during shipping due to poor packing, so please repackage the lamp carefully and make sure to insure your shipment.

Proof of purchase as evidence that the unit was purchased from an authorized dealer within the warranty period is required for warranty service. If you have any questions about your warranty coverage or you think you may need service, email the Lumio support team at [support@hellolumio.com](mailto:support@hellolumio.com). We will do everything we can to answer your questions and resolve any issues as quickly as possible.

This limited warranty is fully transferable provided that the current owner furnishes the original proof of purchase.

**THE MAXIMUM LIABILITY OF LUMIO SHALL NOT EXCEED THE ACTUAL PURCHASE PRICE PAID BY YOU FOR THE PRODUCT. IN NO EVENT SHALL LUMIO BE LIABLE FOR SPECIAL, INCIDENTAL, CONSEQUENTIAL, OR INDIRECT DAMAGES.**

## Contact Information

For further information or additional help in solving problems related to your Lumio lamp, contact us at [support@hellolumio.com](mailto:support@hellolumio.com).

## Care

### Wood Cover

- Severe dirt and fluids should be removed immediately. We recommend the use of paper tissue, dry cotton cloth or a damp cloth if necessary. Every treatment should be in the direction of the wood's grain.
- If the surface feels dry and rough to the touch, oiling of the surface is recommended.
- For deeper stains or minor scratches, it may be necessary to sand the area (gritty sponge or sandpaper, grain 150), always sanding in the direction of the wood's grain. For sanding, the wood needs to be completely dry. Afterwards, use a cloth with some furniture oil and apply evenly on the whole surface. Please allow oil to soak in for at least half a day before you wipe off excess oil.

### Tyvek Pages

We recommend the use of damp cloth to remove dirt from the Tyvek pages.

## Warning

Read all instructions and warnings prior to using this product. Improper use of this product may result in product damage, excess heat, toxic fumes, fire or explosion, for which damages will be your ("Purchaser") responsibility and not Lumio, LLC ("Manufacturer").

- Please read, follow, and keep these instructions.
- Do not expose the fixture to moisture or submerged it in liquid. Keep the fixture dry at all times.
- Do not store Lumio in a high temperature environment, including intense sunlight. Do not expose to temperature or humidity extremes, excessive dust or vibrations.
- Do not drop, apply excessive force on the wood cover spine, or put heavy objects on top.
- Do not disassemble this fixture or attempt to re-purpose or modify it in any manner.
- Keep magnetic storage media (disks and tapes) at least four inches away in order to avoid data loss.
- To reduce the risk of electrocution, do not attempt to open the fixture. There are no serviceable parts inside. Refer all servicing to qualified service personnel. Servicing is required when the product has been damaged in any way.
- This product should not be treated as ordinary household waste. Instead, it should be handed over to the applicable collection point for the recycling of electrical and electronic equipment.
- The batteries are non-replaceable. The battery must be removed from the luminaires before it is scrapped. The appliance must be disconnected from the supply mains when removing the battery. The battery is to be disposed of safely. The light source couldn't be replaced, when the life of light source end up, the product needs to be purged as well.

Fine Print (to keep our lawyer happy)

Manufacturer shall not in any way be liable to you or to any third party for any damages you or any third party may suffer as a result of use, intended or unintended, or misuse of this light fixture.

This equipment has been tested and found to comply with the limits for a Class B digital device, pursuant to Part 15 of the FCC Rules. These limits are designed to provide reasonable protection against harmful interference in a residential installation. This equipment generates, uses and can radiate radio frequency energy and, if not installed and used in accordance with the instructions, may cause harmful interference to radio communications. However, there is no guarantee that interference will not occur in a particular installation. If this equipment does cause harmful interference to radio or television reception, which can be determined by turning the equipment off and on, the user is encouraged to try to correct the interference by one or more of the following measures:

- Reorient or relocate the receiving antenna.
  - Increase the separation between the equipment and receiver.
  - Connect the equipment into an outlet on a circuit different from that to which the receiver is connected.
  - Consult the dealer or an experienced radio/television technician for help.
- Modifications not expressly approved by the manufacturer could void the user authority to operate the equipment under FCC rules.



[hellolumio.com](http://hellolumio.com)