

FLOS

■ F7630030 Black

Toio Led

Designed by Achille and Pier Giacomo Castiglioni, 1962

LED retrofit - 20W



Floor lamp providing indirect lighting. Angle iron and formed steel base, painted in a variety of colors. Hexagonal nickel-plated brass height-adjustable stem with telescopic head. On the cable there is the electronic dimmer which allows the regulation of light brightness.

Are you a professional and your project needs consulting and support?

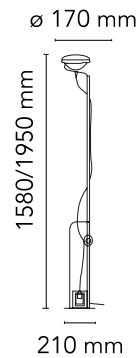
[BOOK AN APPOINTMENT](#)

Main specifications

Mounting	Floor
Environments	Indoor dry location
Light source type	Bulb
Light sources included	Yes
Lamp category	LED retrofit
Lamp holders	Gx16d
Number of lamps	1
Power (W)	20

Physical

Colour	Black
Length (mm)	170
Cord colour	Black
Cord length (mm)	2470
Net weight (kg)	5.65
Package volume (m3)	0.12
IP internal	20



Download

[Mounting instructions](#) PDF

Photometric Files

[LDT / IES](#) LDT

Technical Drawings

[2D](#) ZIP

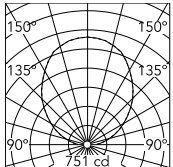
[3D](#) ZIP



Ecodesign and Energy Labelling

This product contains a light source of energy efficiency class F

Schematic light drawing



Beam Angle: 103°

h(m)	E(lx)	D(m)
1	751	2.53
2	188	5.06
3	83	7.59
4	47	10.12
5	30	12.64

Luminous flux luminaire
2072 lm

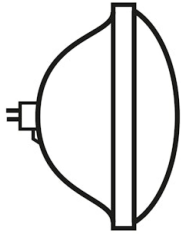
Photometric

Lighting type	Indirect
Light distribution	Roto symmetric
Extreme cut off	No

Electrical

Insulation class	II
Frequency (Hz)	50/60
Main voltage (Vac)	220-240
Dimmable	Yes
Dimming interface	Dimmer Integrated
Plug type	Type C
Batteries inside	No

Bulbs



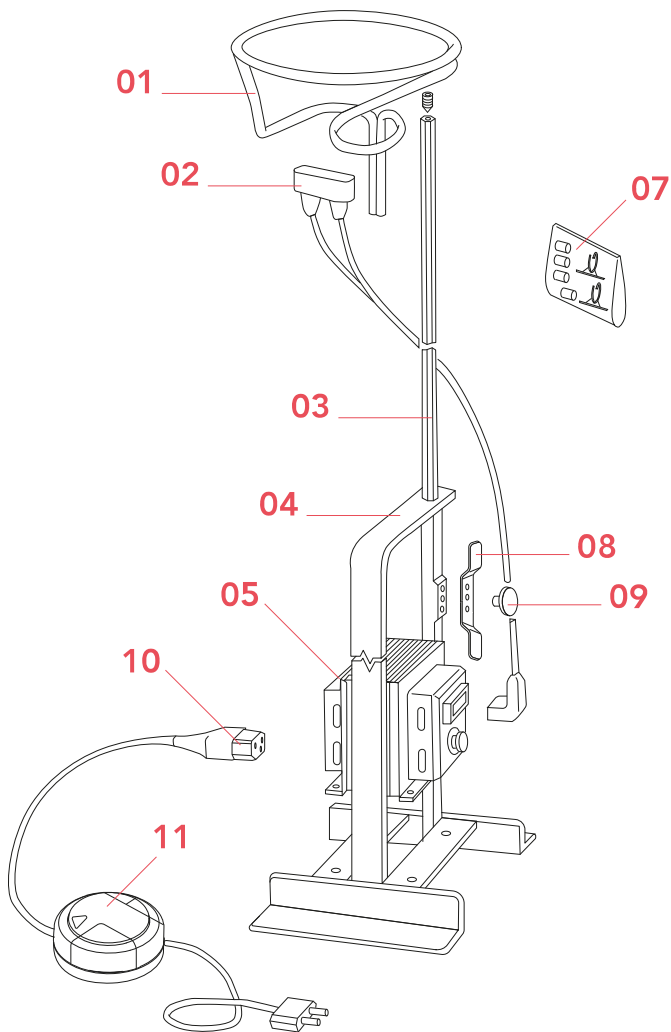
INCLUDED

RF32297

LED Lamp 20W Gx16d 220-240V

2500K PAR56

Spare Parts



- | | | |
|-----|--|-----------|
| 01. | Toio Led Nickel plated brass cage | RF02774 |
| 02. | Toio Led Electric wiring
transformer headlight new type | RF36898 |
| 03. | Toio Led Body rod | RF02775 |
| 04. | Toio/Toio Led Black base | RF02580 |
| 05. | Toio Led wired ballast | RF7600300 |
| 07. | Wire loop assembly | RF7600100 |
| 08. | Toio Cable winder support | RF06730 |
| 09. | Toio Nickel knob | RF06732 |
| 10. | Toio switch dimmer & wiring
assembly | RF28230 |
| 11. | Led rondo' dimmer 220/240v 40-
250w 4-100w | RF38887 |



RF02774

Toio Led Nickel plated brass cage



RF36898

Toio Led Electric wiring transformer headlight new type



RF02775

Toio Led Body rod



RF02580

Toio/Toio Led Black base



RF7600300

Toio Led wired ballast



RF7600100

Wire loop assembly



RF06730

Toio Cable winder support



RF06732

Toio Nickel knob



RF28230

Toio switch dimmer & wiring
assembly



RF38887

Led rondo' dimmer 220/240v 40-
250w 4-100w