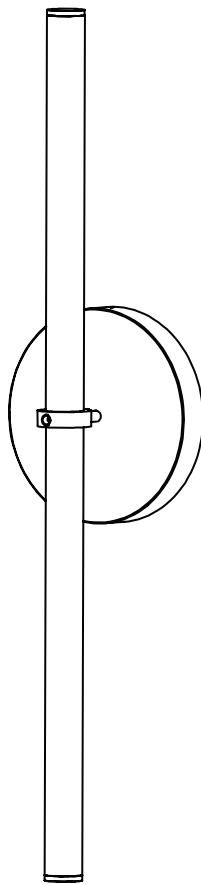


1. Certified electrician is required for electrical installation.
2. Do not, under any circumstance, hold light object by the acrylic tube.
3. LED driver included, installation of LED driver requires certified electrician.
4. Minimum of 2 people recommended for installation.
5. The light source contained in this light object shall only be replaced by the manufacturer or his service agent of similar qualified person.
Contact manufacturer for service.
6. Please read installation guide thoroughly before installation.
7. Vertical hanging only.



IMPORTANT

Do not, under any circumstance, hold, use as support, place heavy weight on, wipe clean, lift, rotate or move in any direction the acrylic tube or tubes in this light object. Doing so will waive all product warranties.

Please provide email confirmation that your order and its related components have been received in their entirety and in good condition.

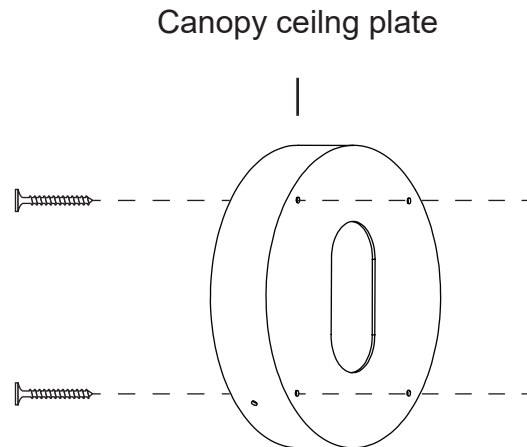
Failure to do so within 48 hours of delivery will waive all product warranties.

PROVIDED SUPPLIES

1. Light Object 014
2. LED driver
3. Canopy assembly parts

1

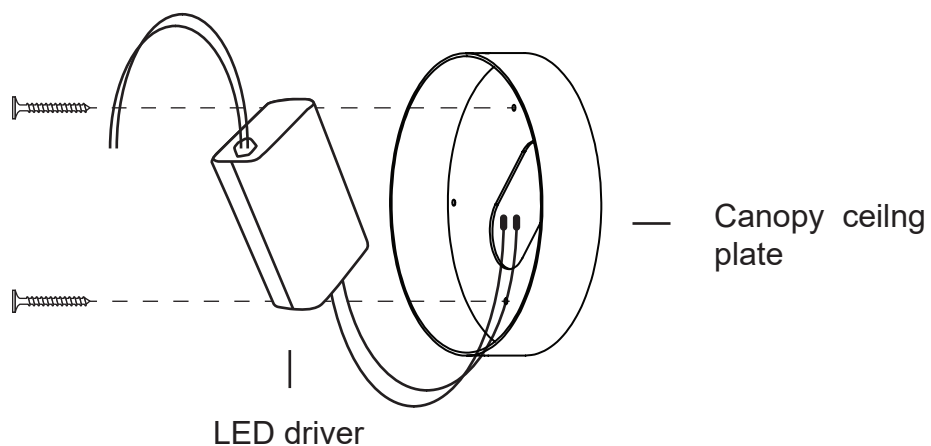
Firmly connect the canopy ceiling plate to wall or ceiling with 4 screws and relevant plugs (not included).

**2**

Shut down associated electrical breaker and secure LED driver to top plate of canopy. Then wire LED driver to power source using brown and blue wires.

IMPORTANT NOTE:

Some light objects come with LED driver already connected to the canopy top plate. In this case, shut down associated electrical breaker and connect canopy top plate to ceiling then continue to wire LED driver to power source using brown and blue wires.



3

Use the black and red wires from the LED driver to wire Light Object 019 to the LED driver. Once wired, secure Light Object 014 to the canopy top plate using screws.

