

GABRIEL SCOTT

est 2012



KELLY

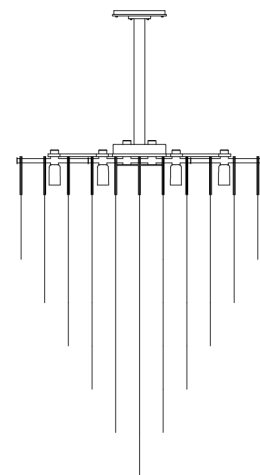
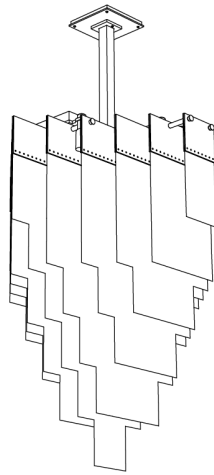
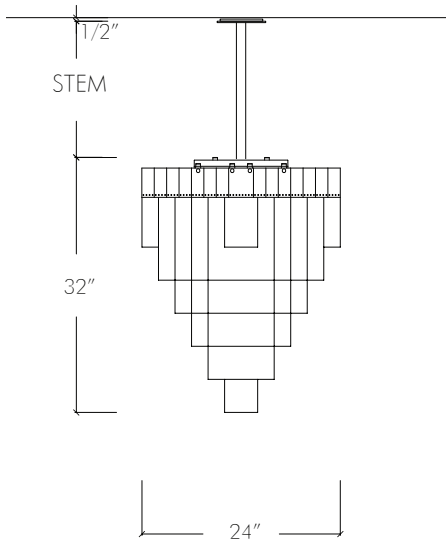
Small Chandelier

in Blackened Steel, Satin Brass & Satin Nickel

A chandelier that moves with glamorous intrigue, the KELLY Chandelier's metallic chain cascades through its various layers to create a glisten reflective effect. A bold synergy of cold metal with warm light, the black or brass frame hosts a matching chain that brightens any interior with midnight color.

With its Art Deco sensibility, the KELLY Chandelier is a transitional light fixture of exemplary proportion. Available in small, large and extra-long. Custom sizes available.

All Gabriel Scott pieces are handmade in Canada.



SPECIFICATIONS

Standard Finishes:

Metal: Blackened Steel, Satin Nickel, Satin Brass, Satin Copper or Satin Bronze

Specifications:

Dimensions: 24" x 24" x 32" H + Stem

61 cm x 61 cm x 81.3cm H + Stem

Weight: 50 lbs

Light Source: 110V 15 WATT T5 incandescent *(included)*
or 12V 3 Watt LED bulb *(optional)*

Standard Lead time: 12 -14 weeks

Stems & Canopies:

Standard Stem Lengths: 6", 12", 18"

(additional lengths available on request)

Standard Canopy: 5"

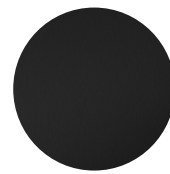
Deep Canopy: Dimensions on request.

Custom finishes available upon inquiry.

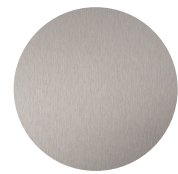
Made and assembled in Canada. Item is UL & CE listed.

STANDARD FINISHES

Metal:



Blackened Steel



Satin Nickel



Satin Brass



Satin Copper



Satin Bronze