

CAUTION - We recommend this fixture be installed by a licensed Electrician.

Before assembling and installing this product, carefully read the following:

- When installing multiple lamps; these fixtures must be wired in parallel in order to achieve the best possible light quality from each lamp. Wiring in series will result in the progressive loss of performance as the lamps move further away from the building power.
- Switch off power to the junction box before installing the lamp.
- Move light switch into the OFF position.
- When mounting to the ceiling, always use appropriate anchoring hardware.
- This lamp has an IP44 Damp Rating; suitable for indoor use including most humid and damp areas such as bathrooms.
- We recommend reading the guide before you begin installation.
- Installation Guides can be downloaded from Pablodesigns.com in the case this document is lost or damaged.
- Do not disassemble, modify or try to repair this fixture! In order to receive technical assistance contact Pablo Designs. Any modification to the fixture will nullify the manufacturer's warranty.

IMPORTANT INFORMATION ABOUT MATERIALS/FINISHES:

- Glass is a material which is fragile and can be easily damaged when mishandled.
- One of the main characteristics of Opal glass is that it is hand blown. Small imperfections like; air bubbles, thickness variations, or scratches can occur during the production process. These imperfections underline the craftsmanship, the exclusivity and authenticity of hand blown Opal glass.

CLEANING INSTRUCTIONS:

- Use only a soft cloth to clean this fixture, dampened with water or mild cleanser if required, DO NOT use alcohol, solvents, or other abrasive cleaners, as this could damage the lamp finish.

TECHNICAL SPECIFICATIONS

Voltage: 120-240V 50/60Hz
Power Consumption: 8W
Color Temperature: 2700K -or- 3000K -or- 3500K CCT
(On-board switch allows CCT choice at time of installation)
Luminosity: 500 Lumens
Luminaire efficacy: 62.5 Lumens/Watt
Color Rendition Index: 90 CRI
ADA compliant
IP Rating: IP44

SCAN FOR TRANSLATION
NACH ÜBERSETZUNG SUCHEN
NUMÉRISER POUR LA TRADUCTION
SCANSIONE PER TRADUZIONE



DEU



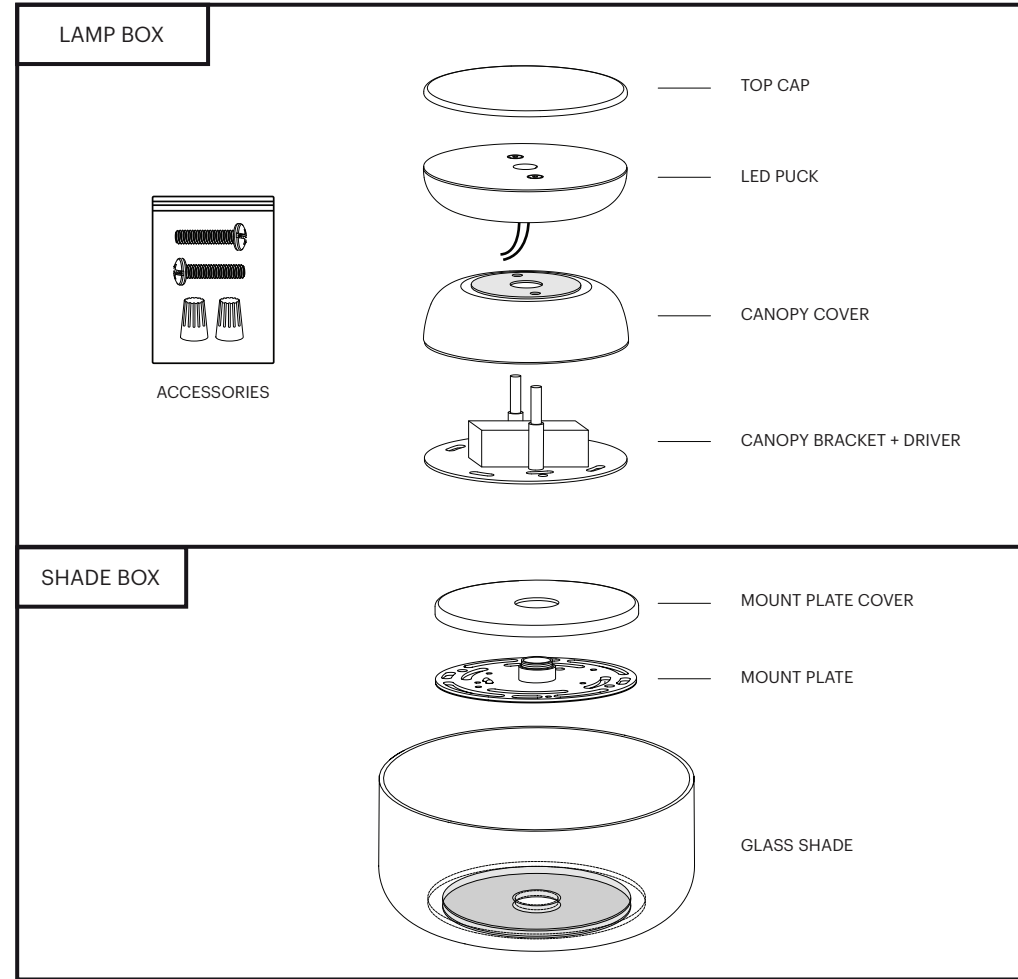
FRA



ITA

Contents

TOTEM WALL SHIPS IN MULTIPLE BOXES IN ORDER TO ENSURE THE SAFETY OF ALL COMPONENTS.

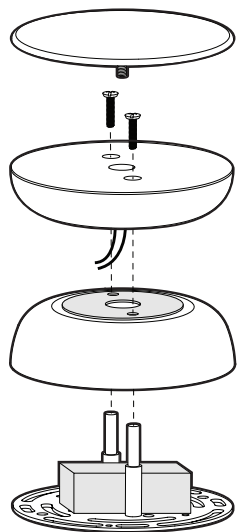


IF THERE ARE MISSING OR DAMAGED PARTS, PLEASE CONTACT US AS SOON AS POSSIBLE TO FILE A REPORT. CLEAR PHOTOS AND DESCRIPTIONS WILL ENABLE OUR CUSTOMER SERVICE TEAM TO QUICKLY AND EFFECTIVELY ADDRESS YOUR CLAIM.

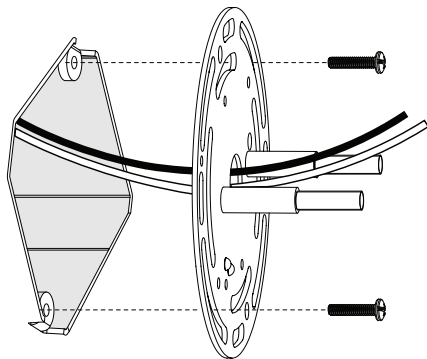
(415) 865-5000
888 MARIN STREET
SAN FRANCISCO, CA 94124
INFO@PABLODESIGNS.COM
[\[INFO@PABLODESIGNS.EU\]](mailto:INFO@PABLODESIGNS.EU)



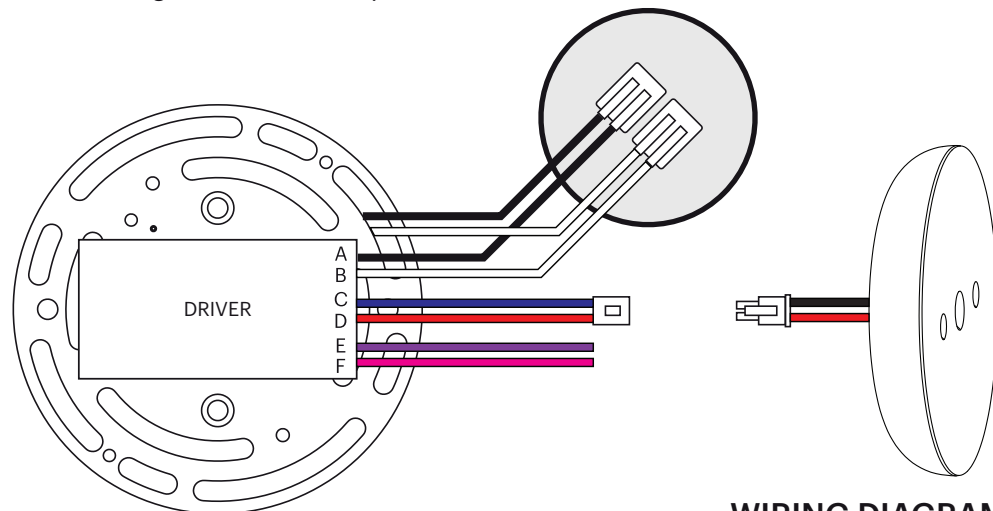
- 1** Remove the contents of the LAMP BOX and separate key items.



- 2** Secure the CANOPY BRACKET to the junction box or appropriate wall anchor system(not included) using included hardware.

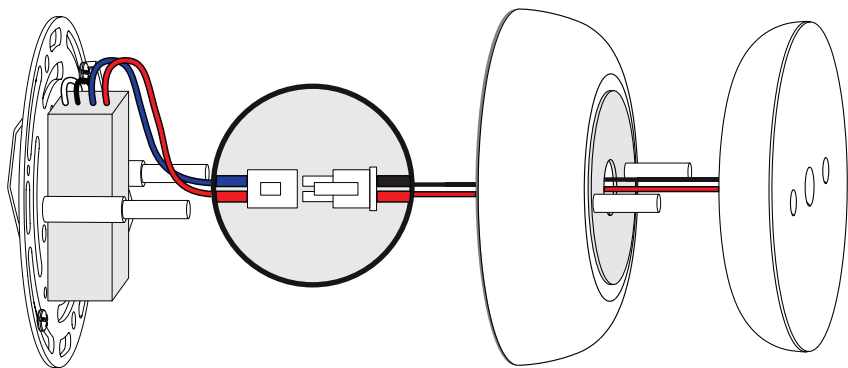


- 3** Wire DRIVER to BUILDING: **US** (A-black to black/B-white to white) **EU** (A-black to brown/B-white to blue). Secure DRIVER to CANOPY BRACKET using included VHB TAPE [NOTE: E-purple(+) and F-pink(-) wires are intended for use in 0-10V dimming installations only].

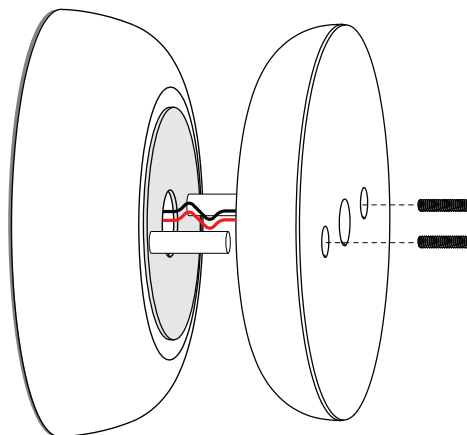


WIRING DIAGRAM

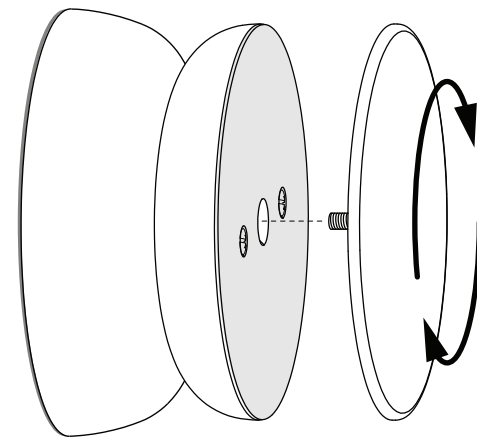
- 4** Wire LAMP to DRIVER by joining the low voltage connectors (C,D). [NOTE: BE SURE TO PASS LOW VOLTAGE WIRES THROUGH THE CANOPY COVER IN THIS SUBASSEMBLY].



- 5** Secure the LED PUCK to the CANOPY subassembly using the included hardware. [NOTE: ENSURE ALL WIRES ARE SAFELY TUCKED BEHIND THE CANOPY COVER]

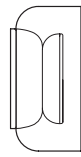


- 6** Thread TOP CAP onto LED PUCK to complete assembly.



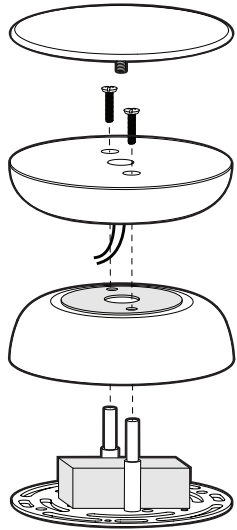
Totem Sconce Installation Guide

PAGE 3/4

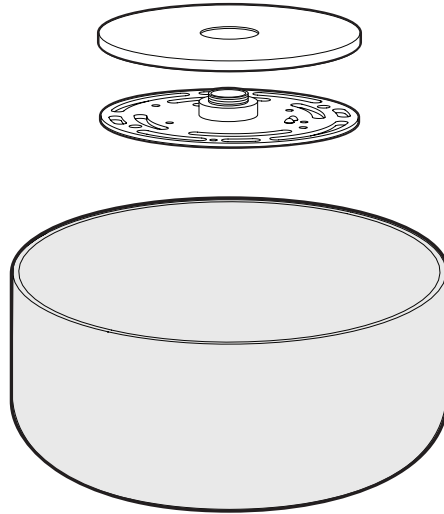


Pablo®

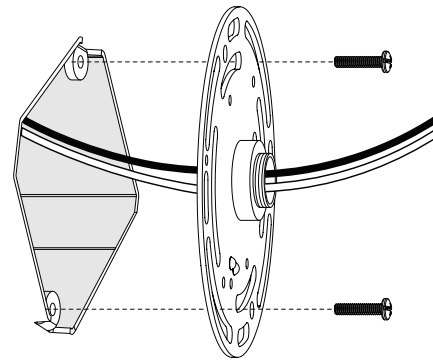
- 1** Remove the contents of the LAMP BOX and separate key items.



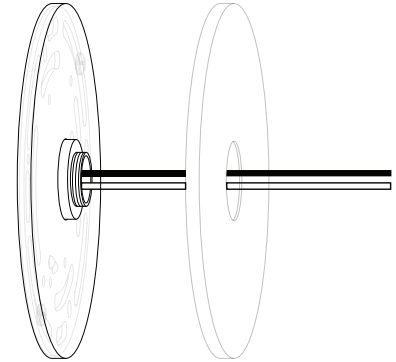
- 2** Remove the contents of the SHADE BOX and separate key items.



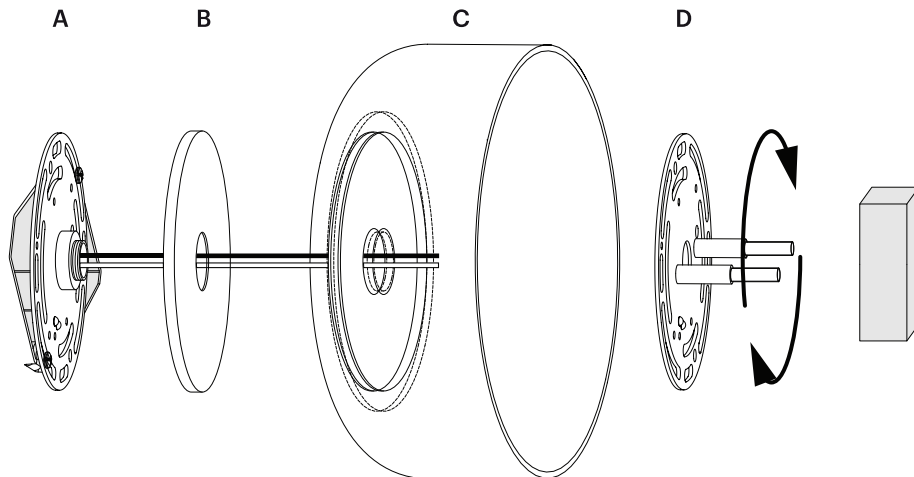
- 3** Secure the MOUNT PLATE to the junction box or appropriate wall anchor system using included hardware. [NOTE: BE SURE TO PASS BUILDING POWER WIRES THROUGH MOUNT PLATE].

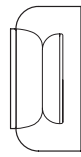


- 4** Place the MOUNT PLATE COVER onto the MOUNT PLATE. [NOTE: BE SURE TO PASS BUILDING POWER WIRES THROUGH MOUNT PLATE COVER].

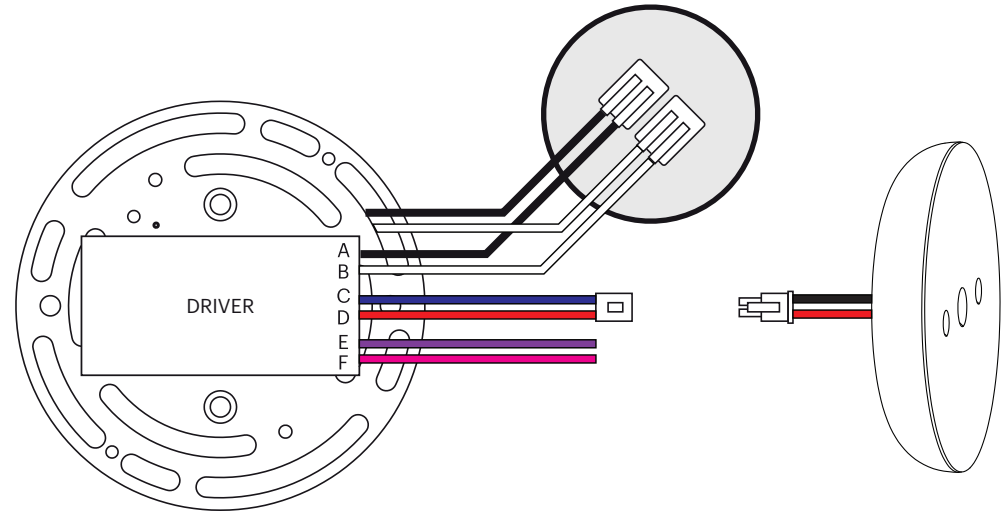
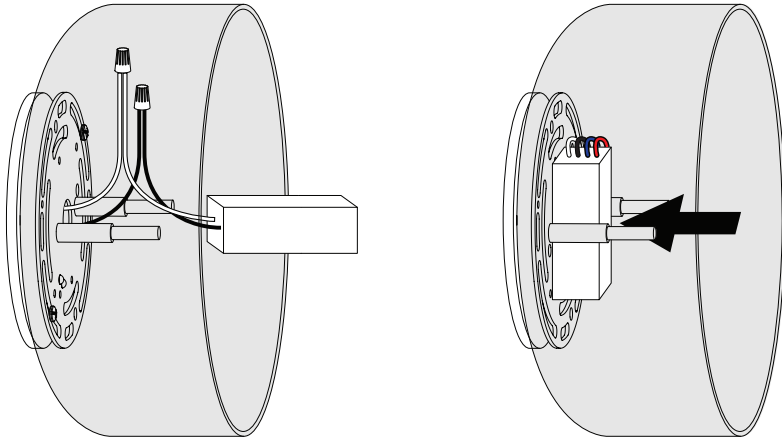


- 5** Place the MOUNT PLATE COVER (B) onto the MOUNT PLATE (A) and secure the SHADE (C) by threading the CANOPY BRACKET (D) onto the MOUNT PLATE (A). [NOTE: BE SURE TO PASS BUILDING POWER WIRES THROUGH ALL COMPONENTS IN THIS SUBASSEMBLY].



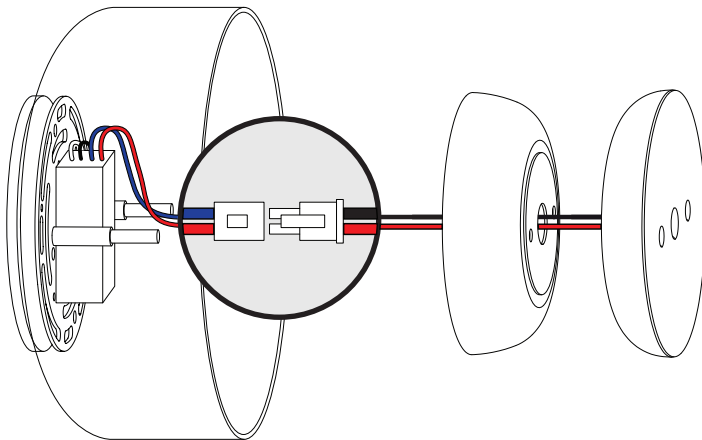


- 6** Wire DRIVER to BUILDING: **US** (A-black to black/B-white to white) / **EU** (A-black to brown/B-white to blue).
Secure DRIVER to the CANOPY BRACKET using included VHB TAPE.

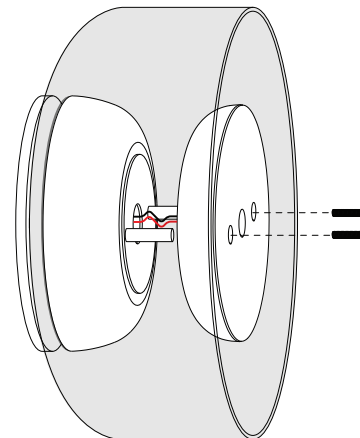


WIRING DIAGRAM

- 7** Wire LAMP to DRIVER by joining the low voltage connectors(C,D).
[NOTE: BE SURE TO PASS LOW VOLTAGE WIRES THROUGH THE CANOPY COVER IN THIS SUBASSEMBLY].



- 8** Secure the LED PUCK to the CANOPY subassembly using the included hardware. [NOTE: ENSURE ALL WIRES ARE SAFELY TUCKED BEHIND THE CANOPY COVER]



- 9** Thread TOP CAP onto LED PUCK to complete assembly.

