

MUSE LANTERN OUTDOOR

Tristan Auer



SMALL BATTERY



MEDIUM BATTERY



LARGE



SO



Muse Lantern Outdoor può essere a batteria oppure cablata. Nella versione cablata la sorgente luminosa è posta all'interno di un cilindro di vetro che è opportunamente sigillato per garantire la protezione IP65. Per la versione a batteria è stata realizzata invece una soluzione particolarmente interessante: riprodurre la forma in una lampadina in plexiglass inciso che, sollecitata da una sorgente LED nascosta nella parte interna della struttura, sembra emanare luce propria. La finitura bronzo di Muse Lantern è stata ovviamente trattata per resistere agli spazi esterni e agli agenti atmosferici, maniglia in cuoio intrecciato. Il diffusore in materiale plastico nella versione Lantern rimane in finitura ambra trasparente.

Muse Lantern Outdoor can be battery-powered or wired. In the wired version the light source is placed inside a glass cylinder that is suitably sealed to guarantee IP65 protection. For the battery-powered version, a particularly interesting solution has been created: reproducing the shape of a light bulb in engraved plexiglass that, stimulated by a LED source hidden in the internal part of the structure, seems to emanate its own light. The bronze finish of Muse Lantern has obviously been treated to resist in outdoor spaces and weathering, with a braided leather handle. The plastic diffuser in the Lantern version keep the transparent amber finish.

SPECIFICHE PRODOTTO / PRODUCT SPECIFICS

p2

MUSE LANTERN OUTDOOR MEDIUM
MUSE LANTERN OUTDOOR LARGE

p4
p5

MUSE LANTERN OUTDOOR SMALL BATTERY
MUSE LANTERN OUTDOOR MEDIUM BATTERY

p6
p7

MUSE LANTERN OUTDOOR SO MEDIUM
MUSE LANTERN OUTDOOR SO LARGE

p8
p9



STRUTTURA / FRAME



Laccato bronzo
Trattamento cataforesi Marine
Grade

*Bronze lacquered
Marine Grade with cataphoresis
treatment*



Maniglia in cuoio intrecciato marrone
Brown braided leather handle

DIFFUSORE / DIFFUSER



Acrilico color ambra
Amber finish acrylic



**CAVO / CABLE**

Cavo nero e catena in metallo
Black cable and metal chain

H: 150 cm
 H: 59"

TA
 Cavo nero
 Connettore IP68 per esterni
*Black cable
 IP68 outdoor connector*



L: 200 cm
 L: 78,7"

FRONTE LUMINOSA / LIGHT SOURCE

Versione CABLATA
WIRED version



E27 T8 Tubular LED
 Utilizzabili lampadine LED fino
 alla massima potenza disponibile
 sul mercato

*You can use LED light bulbs of
 the highest available wattage*

H max. 14,5 cm / 5,7"



1 X E27 T8
 Lampadina Tubular LED
Tubular LED bulb
 IP65

Versione BATTERIA
BATTERY version



Custom LED
 IP65
 Autonomia: 6/8 ore
 Cicli di vita: 600
 Tempi di ricarica: circa 4 ore
 Fornito con caricabatterie

*Autonomy: 6/8 hours
 Lifestyle cycles: 600
 Charging time: about 4 hours
 Supplied with battery charger*

1 X 3W
 Custom LED
 Lumen: 430
 3.000 K; CRI: >90
 IP65



Muse Lantern Outdoor MEDIUM & LARGE

USA / LIGHT SOURCE

WIRED version



E26 T8 Tubular LED
 You can use LED light bulbs of
 the highest available wattage

H max. 14,5 cm / 5,7"



1 X E26 T8
 Tubular LED bulb
 IP65

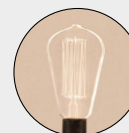
BATTERY version

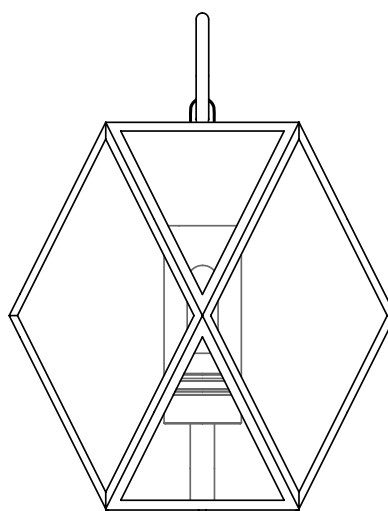
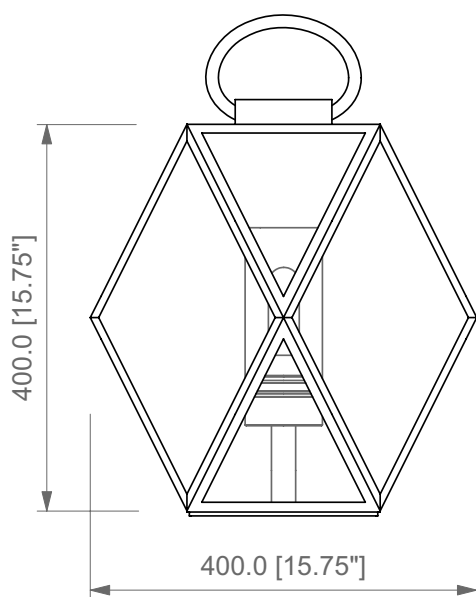
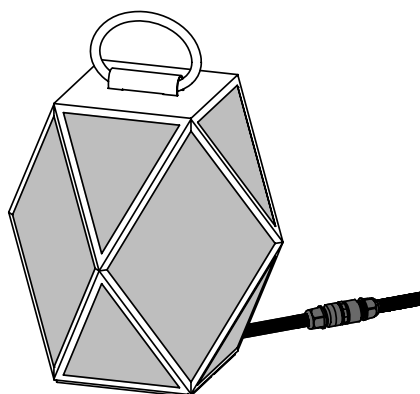
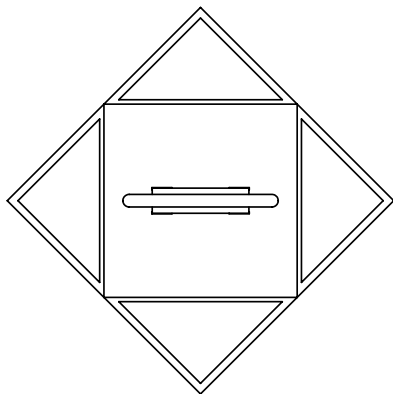


Custom LED
 IP65

Autonomy: 6/8 hours
 Lifestyle cycles: 600
 Charging time: about 4 hours
 Supplied with battery charger

1 X 3W
 Custom LED
 Lumen: 430
 3.000 K; CRI: >90
 IP65





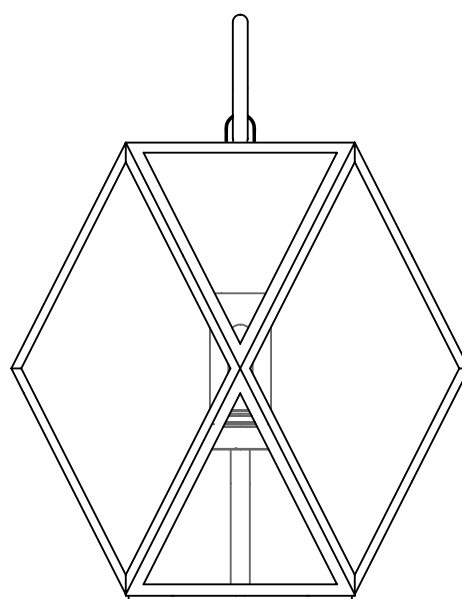
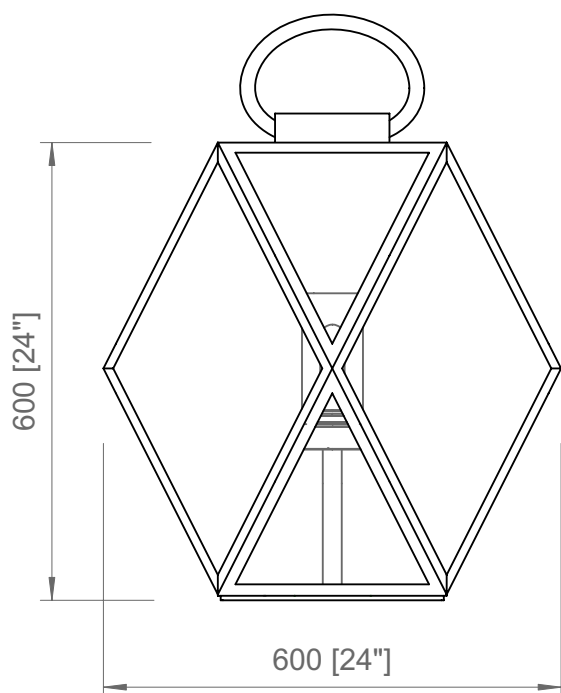
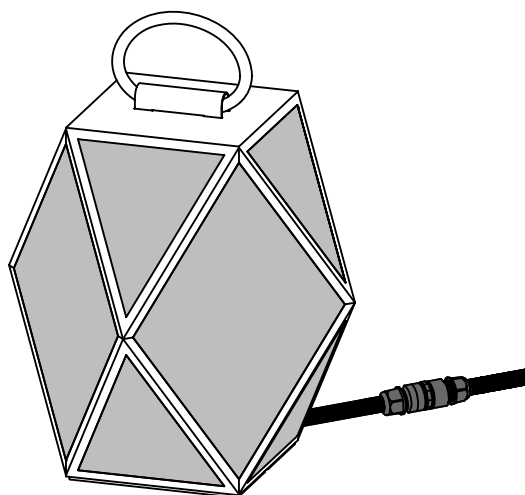
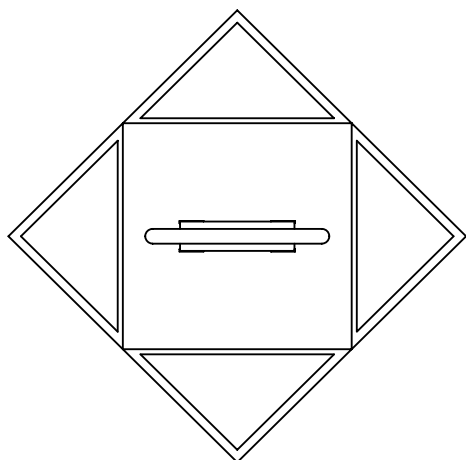
PRODOTTO / PRODUCT

PESO / WEIGHT
6 kg / 13.2 lbs

BOX 1

L: 52 cm / 20.4"
W: 52 cm / 20.4"
H: 55 cm / 21.6"

PESO / WEIGHT
7 kg / 15.4 lbs



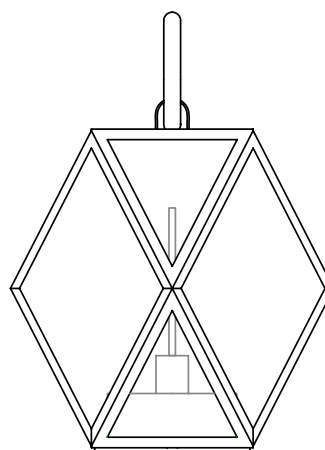
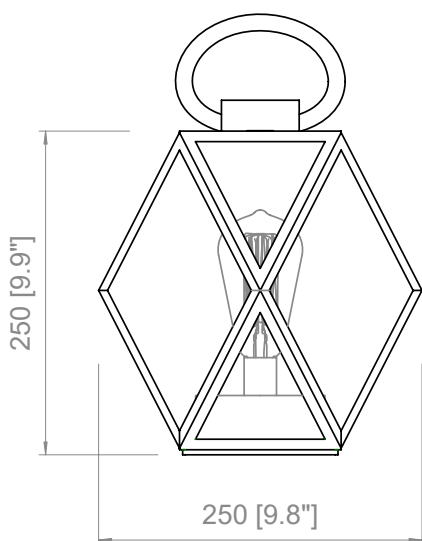
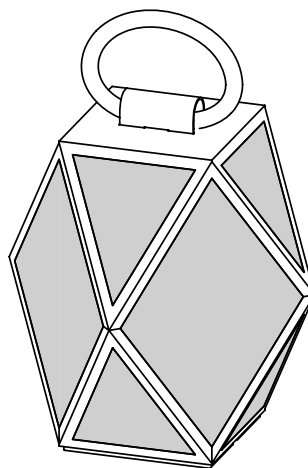
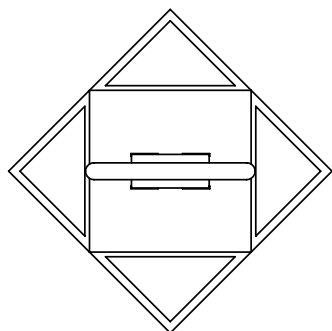
PRODOTTO / PRODUCT

PESO / WEIGHT
11 kg / 24.2 lbs

BOX 1

L: 64 cm / 25.2"
W: 64 cm / 25.2"
H: 73 cm / 28.7"

PESO / WEIGHT
12,5 kg / 27.5 lbs



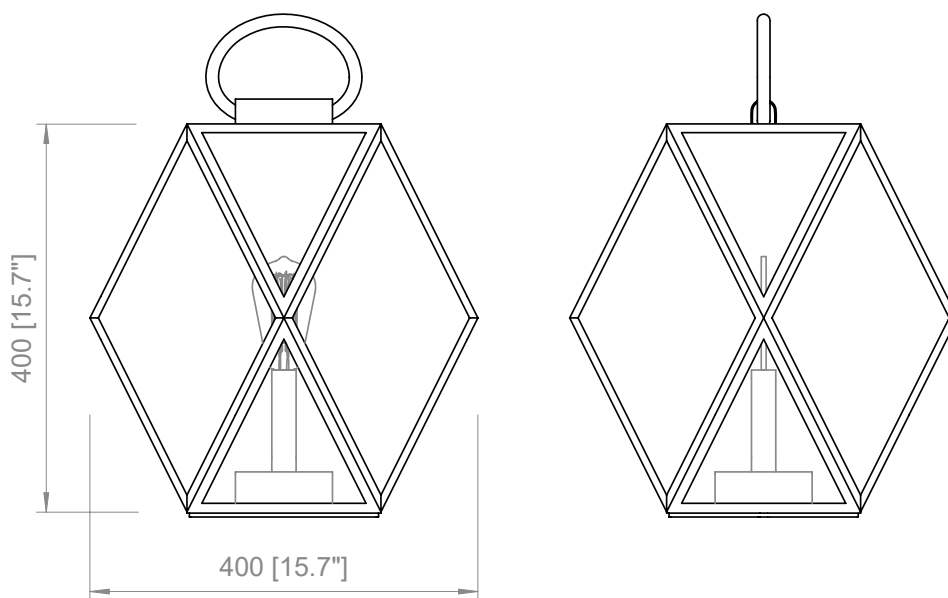
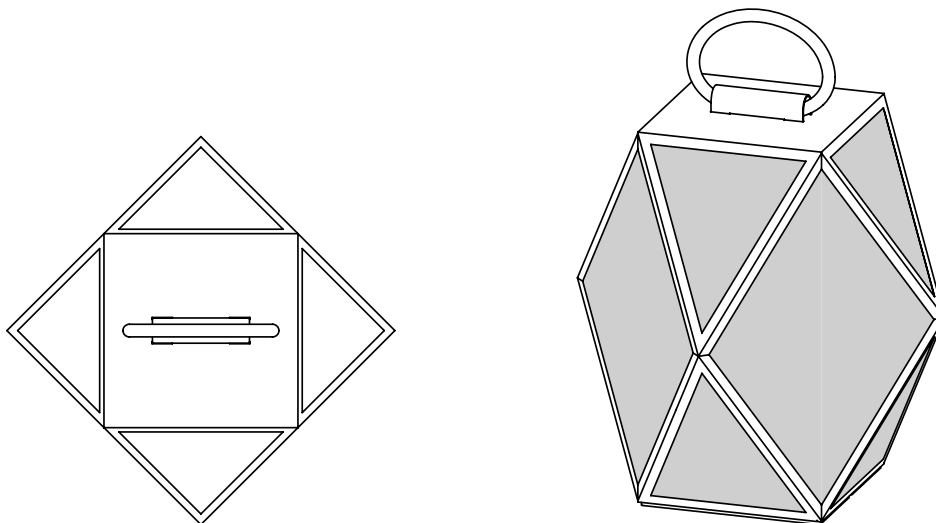
PRODOTTO / PRODUCT

PESO / WEIGHT
1 kg / 2.2 lbs

BOX 1

L: 32 cm / 12.6"
W: 32 cm / 12.6"
H: 33 cm / 13"

PESO / WEIGHT
2,5 kg / 5.5 lbs



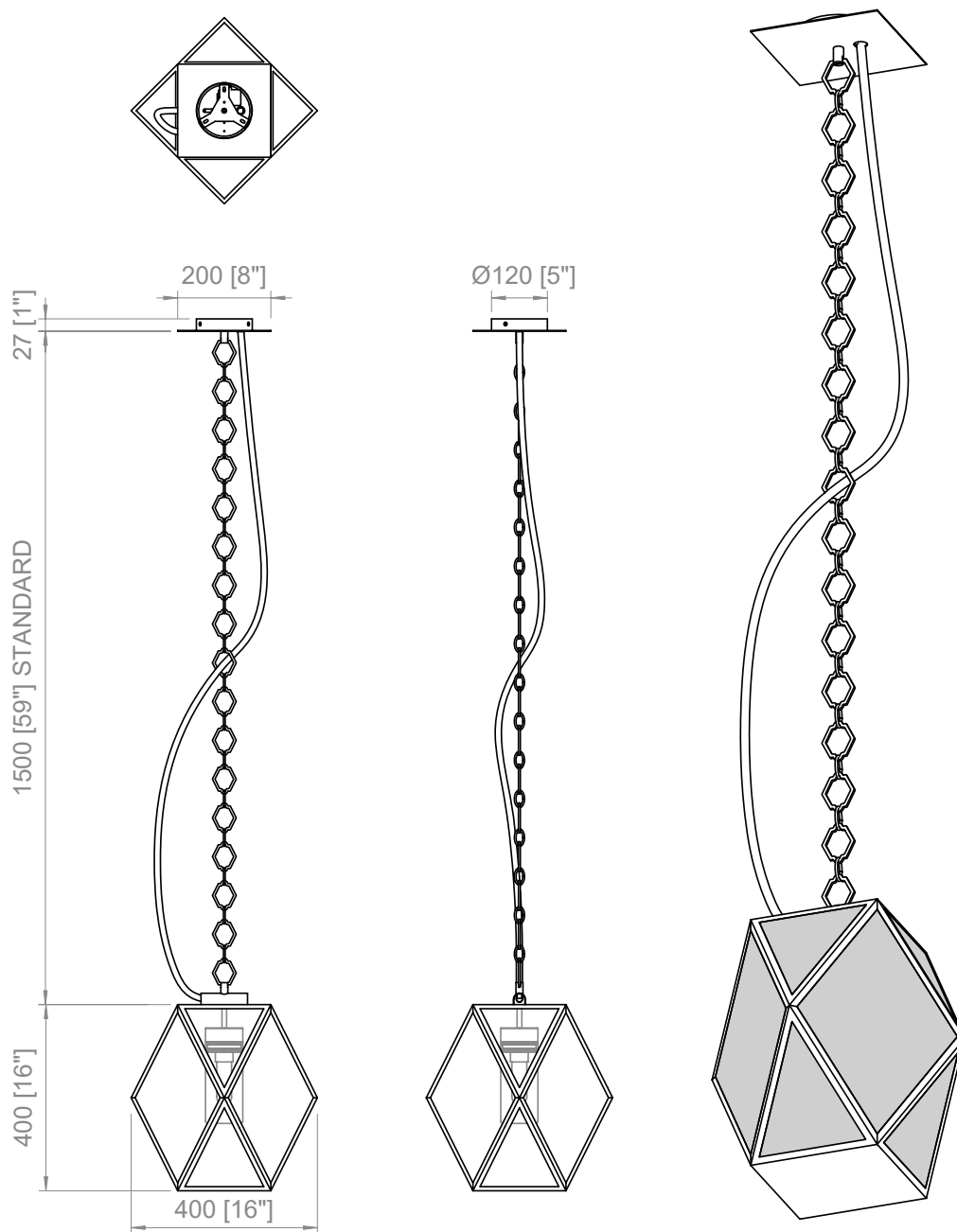
PRODOTTO / PRODUCT

PESO / WEIGHT
6 kg / 13.2 lbs

BOX 1

L: 52 cm / 20.4"
W: 52 cm / 20.4"
H: 55 cm / 21.6"

PESO / WEIGHT
7 kg / 15.4 lbs



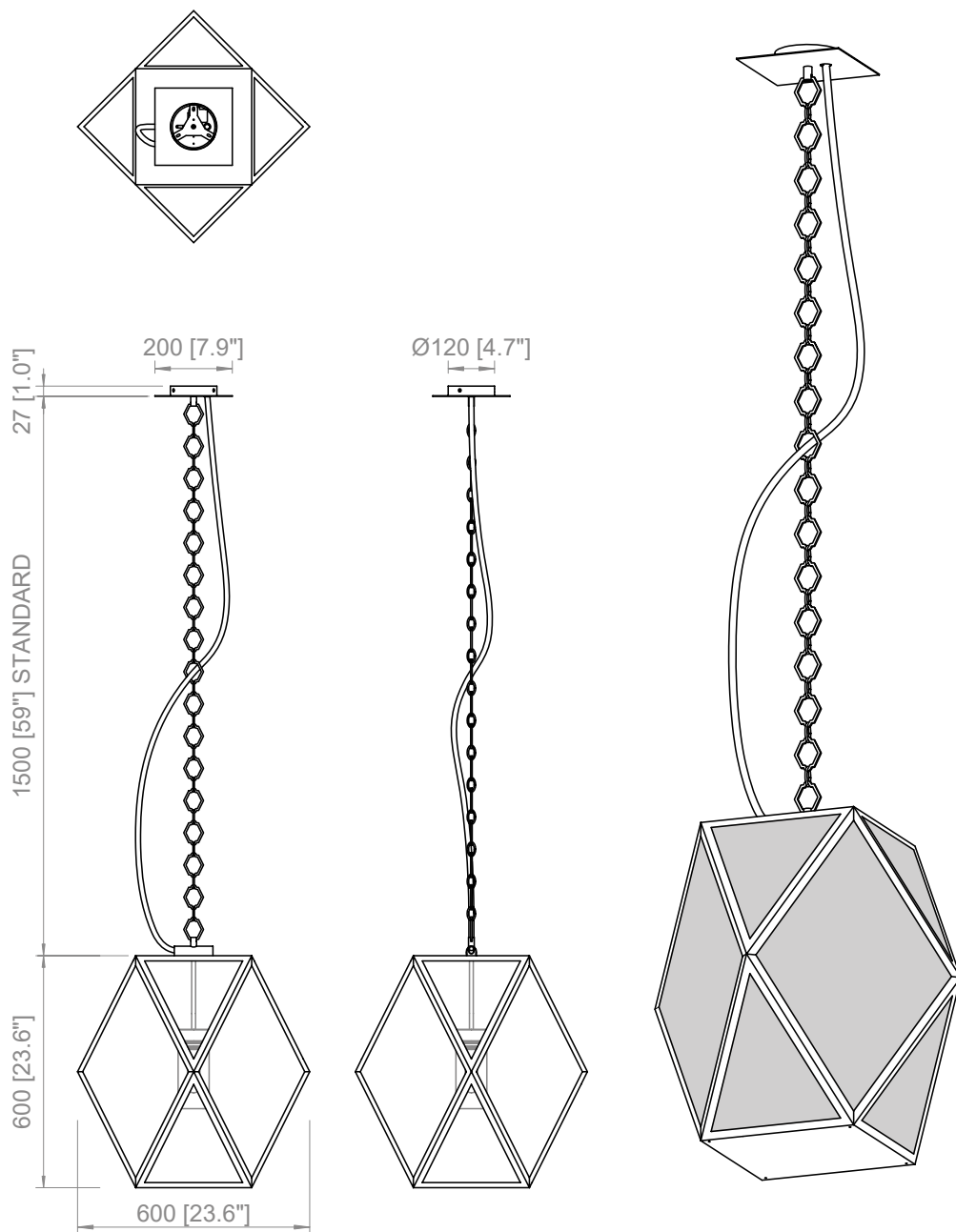
PRODOTTO / PRODUCT

BOX 1

PESO / WEIGHT
6 kg / 13.2 lbs

L: 52 cm / 20.4"
W: 52 cm / 20.4"
H: 55 cm / 21.6"

PESO / WEIGHT
7 kg / 15.4 lbs



PRODOTTO / PRODUCT

BOX 1

PESO / WEIGHT
11 kg / 24.2 lbs

L: 64 cm / 25.2"
W: 64 cm / 25.2"
H: 73 cm / 28.7"

PESO / WEIGHT
12,5 kg / 27.5 lbs



Copyright and/or design rights subsist in this drawing. No part of this drawing may be reproduced in any material form (including photocopying or storing in any medium electronic means, whether or not intentionally and whether or not as part or a larger publication) without the express permission of the copyright owner, Contardi Lighting S.r.l.. Further and without prejudice to the above, this drawing and all information relating thereto is confidential, and shall not be communicated to a third party without the consent of Contardi lighting srl. Contardi lighting srl asserts all rights to be identified as the author of the work and otherwise.

WARNING: The doing of any unauthorised act in relation to a copyright work may result in both a civil claim for damages and criminal prosecution.

CONTARDI LIGHTING Srl

ITALY HEADQUARTERS

www.contardi-italia.com / sales@contardi-italia.it

CONTARDI USA Inc

USA BRANCH

www.contardi-usa.com / sales@contardi-usa.com

