

# PH 2/1 TABLE

**Project name:**

**Project type:**

**Notes:**



## Design

Poul Henningsen

## Variant options

**Color**

- Black metalized
- Brass metalized
- High lustre chrome plated

**Cable type**

- Blk
- Wht

**Light source**

T-4 G9

**Voltage frequency**

120V

### Weight

Min: 3.419 lbs Max: 3.422 lbs

### Finish

Black metalized, Brass metalized, High lustre chrome plated

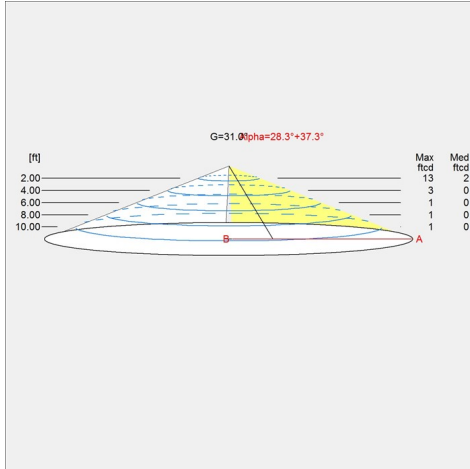
### Voltage

120V

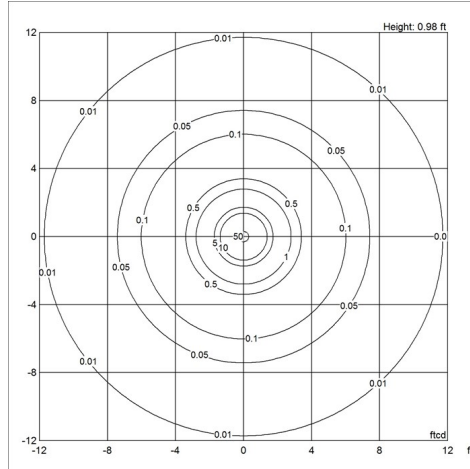
## Light distribution diagrams

For the full data set on all variants, see [louispoulsen.com](http://louispoulsen.com).

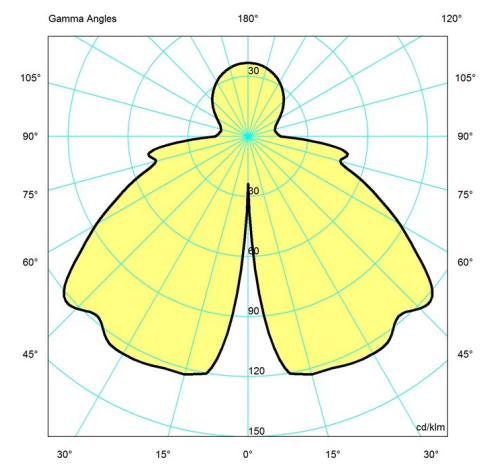
Cartesian






Isolux



Polar



## Variant options

Color	Cable type	Light source	Voltage frequency	Variant number
 Brass metalized	Wht	T-4 G9	120V	5744907105
 High lustre chrome plated	Blk	T-4 G9	120V	5744907118
 Black metalized	Blk	T-4 G9	120V	5744907121