

## ECOS

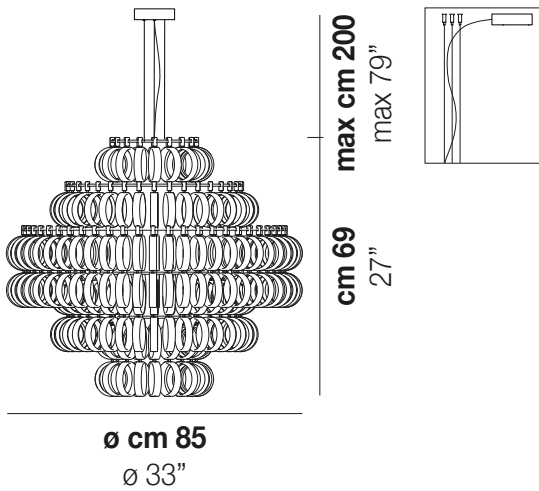
Design Renato Toso, Noti Massari & Associati

## ECOS SP 90

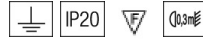


One ring, infinite combinations. The concept of the Ecos collection is just in one element: the glass ring. The chromatic and texture variations that the designers Renato Toso, Noti Massari e Associati have been able to obtain from this simple element are several. That makes the collection extremely customizable in terms of shapes and sizes, for a truly original lighting. Available in the following versions: suspension, applique and floor lamp. Rigadin white or crystal colour glass. Metal parts finishing in satin bronze and chrome.

## ECOS SP 90



### TECHNICAL DATA:



### CERTIFICATIONS:



### LIGHT SOURCES

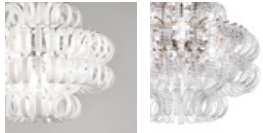
5x77W 220-240 V E27  
50/60 Hz

VOLUME Mc 0,52  
GROSS WEIGHT Kg 43,5  
NET WEIGHT Kg 24

[download](#)

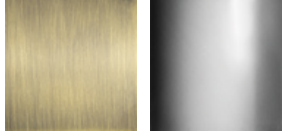


### SHADE FINISHING



BCRI CRR1

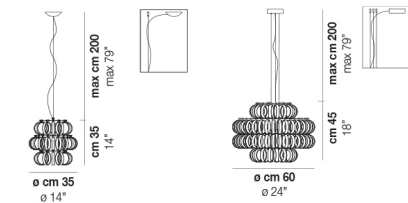
### FRAME FINISHING



BS CR

### OTHER VERSION AVAILABLE

Click on the version to go to the web version of the product



[ECOS SP 35](#)

[ECOS SP 60C](#)