

FLOS

F0500009 Fabric

Ariette 2

Designed by Tobia Scarpa, 1973



Halogen - 4 x 40W

Wall or ceiling-mounted lamp providing diffused light. Synthetic fabric diffuser. 30% fiberglass reinforced polyamide ceiling/wall fitting.

Are you a professional and your project needs consulting and support?

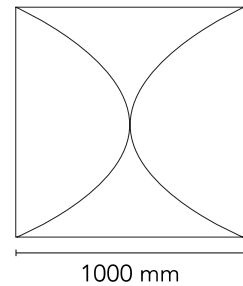
[BOOK AN APPOINTMENT](#)

Main specifications


EAN	8059607014226
Mounting	Ceiling and wall surface
Environments	Indoor dry location
Light Source Type	Bulb
Lamp category	Halogen
Lamp holders	E27
Ilcos	HSGSA
Number of heads	4
Power (W)	40

Physical

Colour	Fabric
Length (mm)	1000
Net weight (kg)	0.95
Package height (mm)	100
Package width (mm)	690
Package length (mm)	200
Package volume (m3)	0.01
IP internal	20



Download

[Mounting instructions](#)  PDF

[Spare Parts](#)  PDF

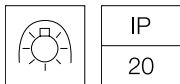
Photometric Files

[LDT / IES](#)  LDT

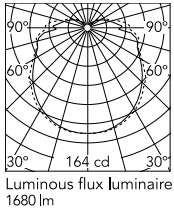
Technical Drawings

[2D](#)  ZIP

[3D](#)  ZIP



Schematic light drawing



Photometric

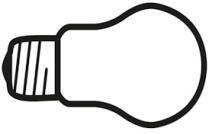
Light distribution

Symmetric

Electrical

Insulation class	II
Frequency (Hz)	50/60
Main voltage (Vac)	220-250
LED voltage Vf (Vdc)	null
Dimmable	Yes
Dimming interface	Remote Dimmable (Dimmer Not Included)
Batteries inside	No

Bulbs



NOT INCLUDED

RF32564

LED Lamp 11.5W E27 220-240V
3000K A70

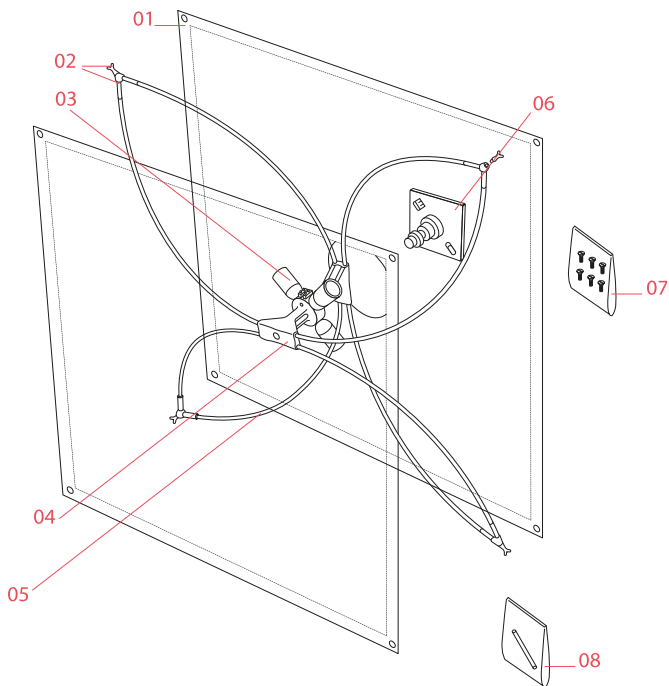


NOT INCLUDED

RF32563

LED Lamp 11.5W E27 220-240V
2700K A70

Spare Parts



- | | | |
|-----|---|-----------|
| 01. | Ariette 2 front & rear cloths. | RF06111 |
| 02. | Ariette 1/2/3 fork push rod | RF0400100 |
| 03. | Lamp holder assembly | RF04635 |
| 04. | Rod nylon support/6 Ariette 1 | RF05737 |
| 05. | Ariette 2 fiberglass rod d.6 mm
6x670 | RF05757 |
| 06. | Nylon wall attachment | RF05740 |
| 07. | Kit with grub screw & screws for
rod support | RF0400200 |

DOWNLOAD



RF06111

Ariette 2 front & rear cloths.



RF0400100

Ariette 1/2/3 fork push rod



RF04635

Lamp holder assembly



RF05737

Rod nylon support/6 Ariette 1



RF05757

Ariette 2 fiberglass rod d.6 mm
6x670



RF05740

Nylon wall attachment



RF0400200

Kit with grub screw & screws for
rod support