

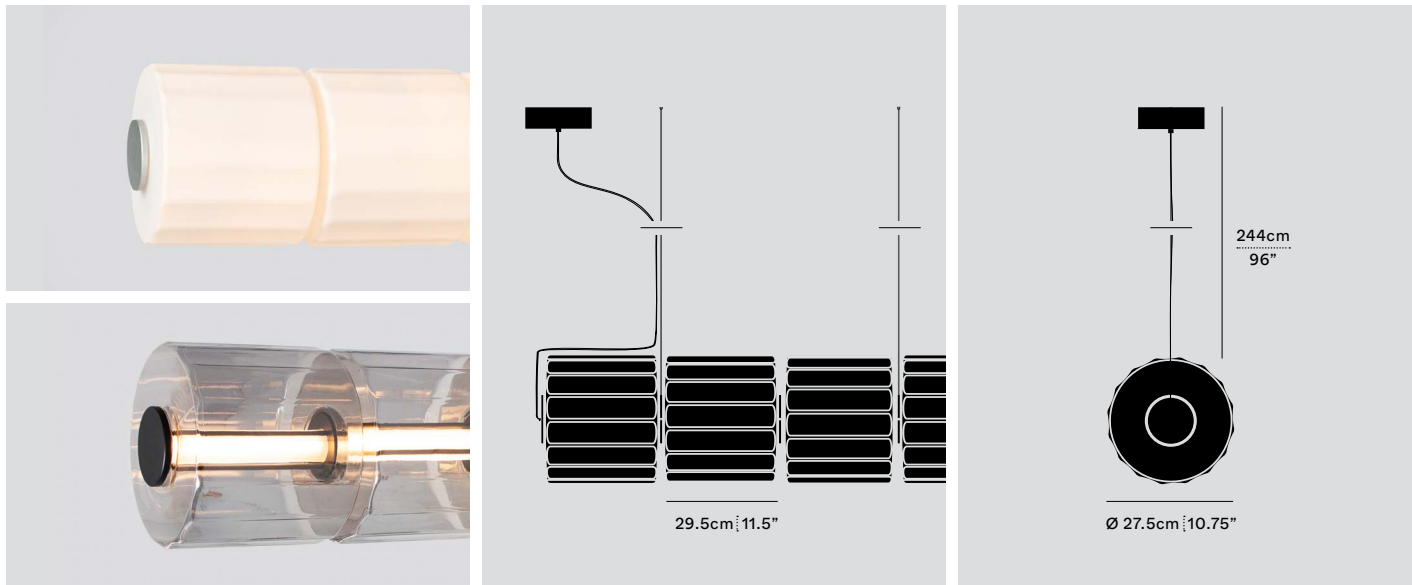
# COLUMN 300 HORIZONTAL — P

A—N—D

PENDANT

Designed by Lukas Peet

2022



A-N-D.COM

## TYPE

Pendant

## DIMENSIONS (PER 1 UNIT)

Ø 27.5cm x 29.5cm / Ø 10.75" x 11.5"

## Adjustable drop length

244cm / 96" — Custom length available

## Weight

5.3kg / 11.7lbs

## 3D MODELS ON A-N-D.COM

REVIT, IES, DWG, 3DS, Rhino, Sketchup

## CERTIFICATIONS



Application: dry indoor location only

## TECHNICAL INFORMATION

### Input Voltage

110–120V, 220–240V, 110–277V

### Lamping

12W 24V DC LED (PER UNIT)

CRI 90+, 50,000 hours

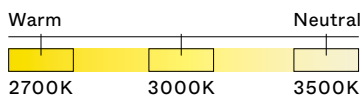
### Lumens

711 lumens delivered (PER UNIT)

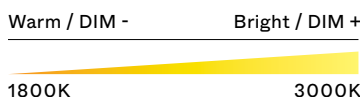
### Controls

Phase dimming, 0–10V, DALI

## COLOUR TEMPERATURE OPTIONS



## DIM TO WARM



## CANOPY OPTIONS

### Standard

Ø 15cm x 5cm / Ø 6" x 2" enclosure with surface mounted driver (1) and anchors (2-4)

\*COL-6, 8, 10, 12: Ø 20cm x 5cm / Ø 8" x 2"

\*Refer to [Accessories](#) for Micro Canopy, Remote Power Supply, and other options

## MANUFACTURED

Canada

## MATERIALS

Glass, Aluminum

## FINISHES



Carbon (CBN) Ivory (IVO) Amber (AMB)

SERIES	SIZE	UNIT	TYPE	FINISH	CCT	PS	VOLTAGE IN
COL	300	<input type="checkbox"/> 3	P	H	<input type="checkbox"/> CBN (CARBON)	<input type="checkbox"/> 27 (2700K)	<input type="checkbox"/> ELV <input type="checkbox"/> 120
		<input type="checkbox"/> 4			<input type="checkbox"/> IVO (IVORY)	<input type="checkbox"/> 30 (3000K)	<input type="checkbox"/> 010 <input type="checkbox"/> 230
		<input type="checkbox"/> 5			<input type="checkbox"/> AMB (AMBER)	<input type="checkbox"/> 35 (3500K)	<input type="checkbox"/> DAL** <input type="checkbox"/> 277*
		<input type="checkbox"/> 6			<input type="checkbox"/> DW (DIM TO WARM)		
		<input type="checkbox"/> 8					
		<input type="checkbox"/> 10					
		<input type="checkbox"/> 12					

\*\*DALI standard canopy Ø8"

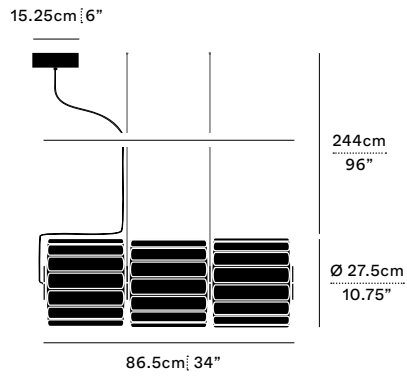
\*277 only available with 010

# COLUMN 300 HORIZONTAL — P

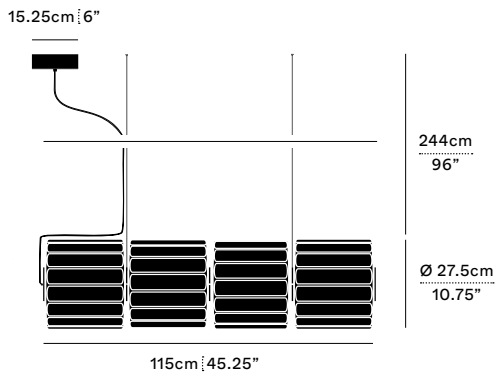
A—N—D

PENDANT

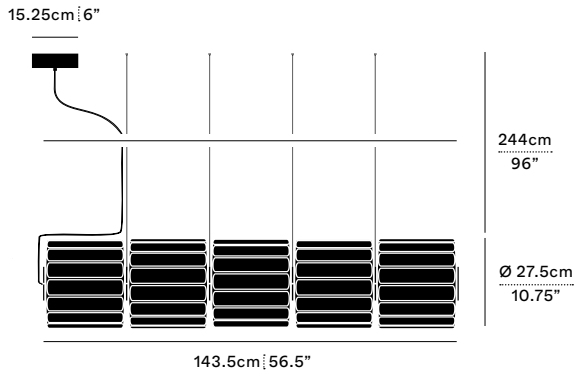
□ COL-300-3-P-H



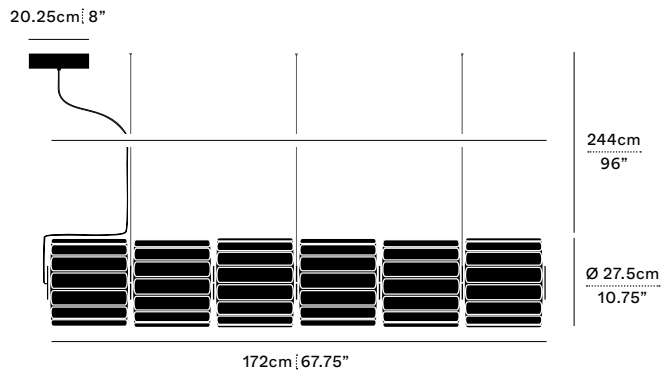
□ COL-300-4-P-H



□ COL-300-5-P-H



□ COL-300-6-P-H

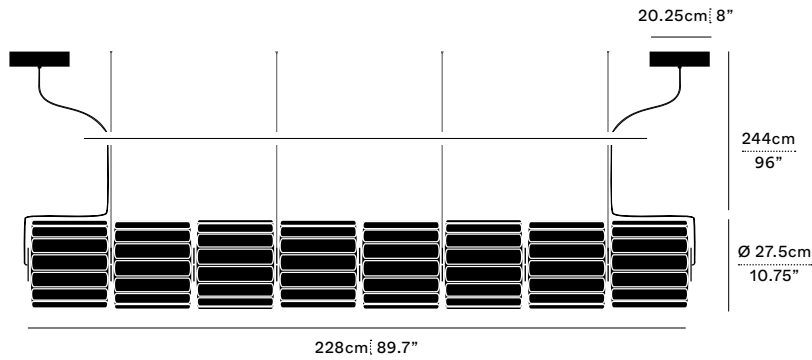


# COLUMN 300 HORIZONTAL — P

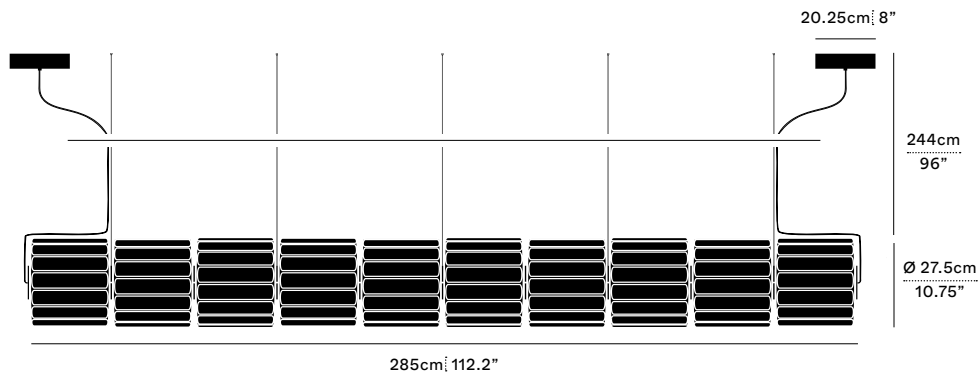
A—N—D

PENDANT

□ COL-300-8-P-H



□ COL-300-10-P-H



□ COL-300-12-P-H

