

A—N—D

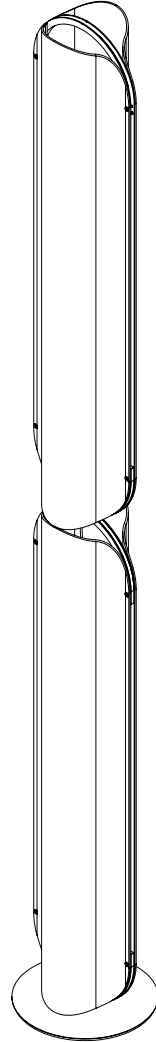
VALE SERIES FLOOR

DESIGNER
CAINE HEINTZMAN

INSTRUCTIONS



SCAN HERE



INSTALLATION NOTES

The luminaire is powered by an LED driver.

It is recommended that two people assemble the Vale Floor, one to gently support the luminaire while the other makes the electrical and mechanical connections.

Both installers should wear clean gloves and take great care not to damage the luminaire.



CARE INSTRUCTIONS

Always wear clean gloves when handling the luminaire. Clean finished surfaces with a soft, lint-free cloth. Clean acrylic diffuser with a soft lint-free cloth and soap and water if necessary.

For replacement parts contact A-N-D directly. Never exceed the recommended wattage, as doing so may damage the luminaire or cause a fire.



WARNING

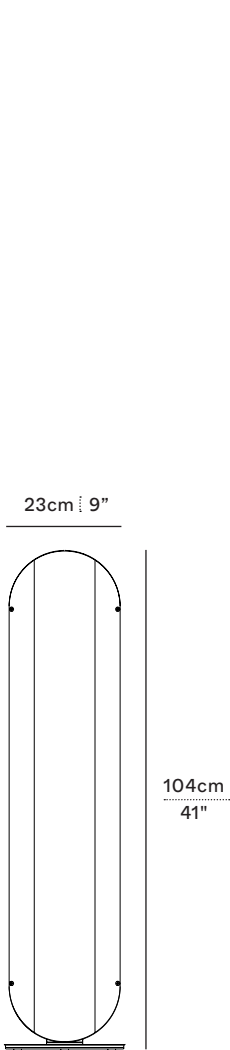
The luminaire must be installed by a qualified electrician in a dry indoor location.

Failure to meet any or all of these criteria will not only damage the luminaire, but will void both the warranty and all of its certifications.

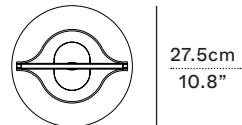
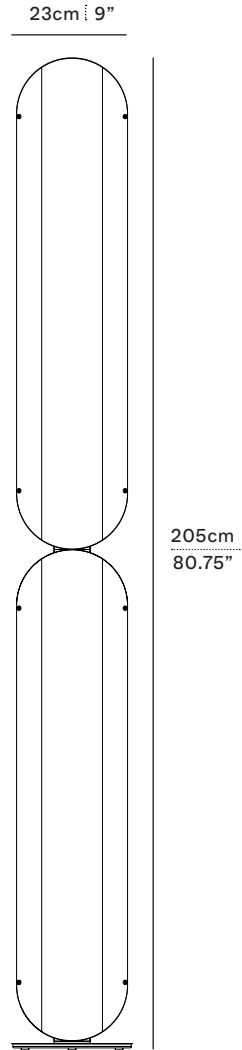
VALE FLOOR DIMENSIONS

A—N—D

VALE 1 FLOOR



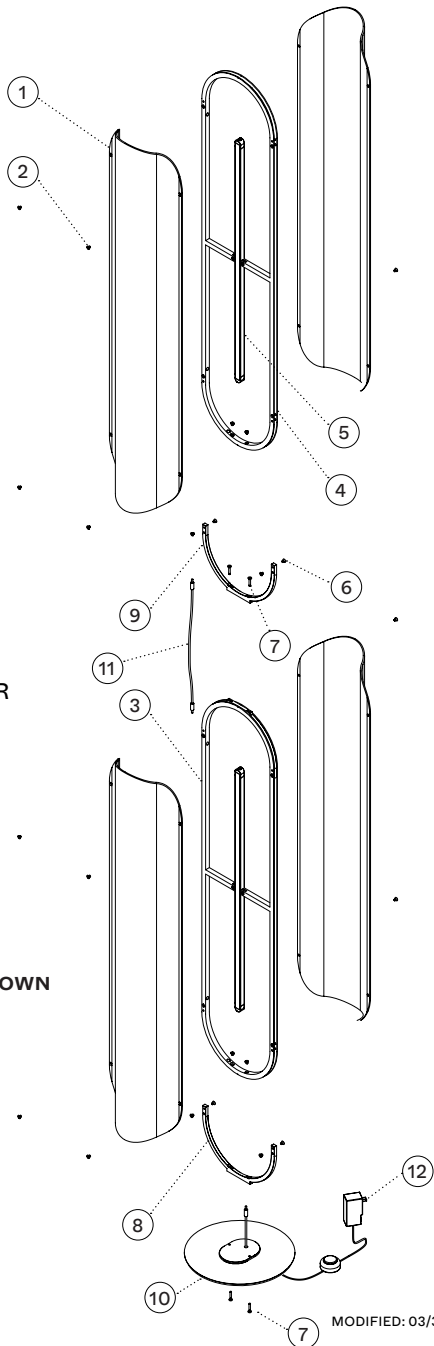
VALE 2 FLOOR



COMPONENTS

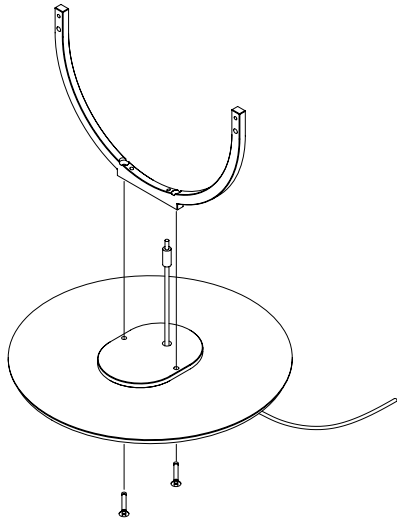
- ① LENSES (2-4)
- ② CLEAR PLASTIC SCREW (8-16)
- ③ FRAME A
- ④ FRAME B
- ⑤ LED COMPONENT (1-2)
- ⑥ 6MM PUCK SCREW (6-12)
- ⑦ 20MM BRACKET SCREW (2-4)
- ⑧ BRACKET A
- ⑨ BRACKET B
- ⑩ MIRROR BASE
- ⑪ JUMP CORD
- ⑫ POWER CORD + PLUG IN DRIVER + DIMMER

* VALE 2 FLOOR MODEL SHOWN



STEP 1

Using the bracket screw, attach the bracket A to the base.

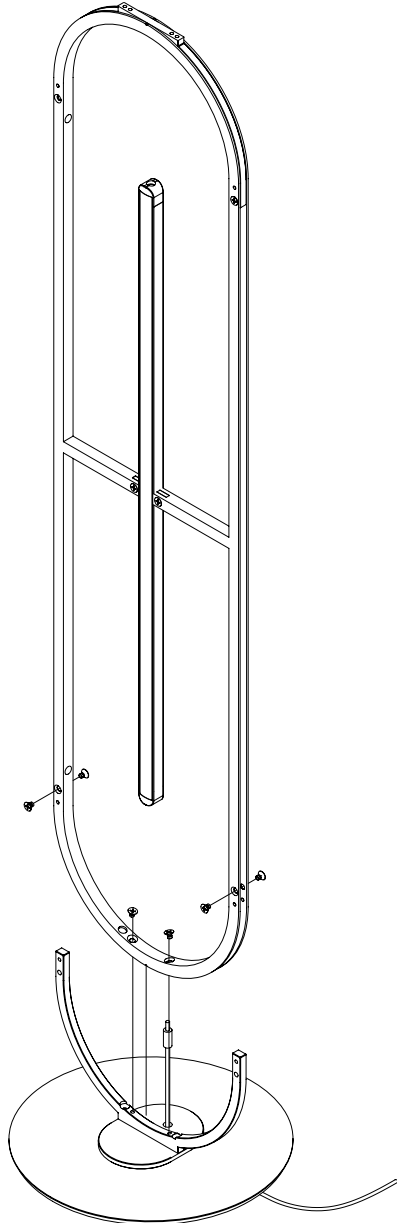


INSTALLATION

STEP 2

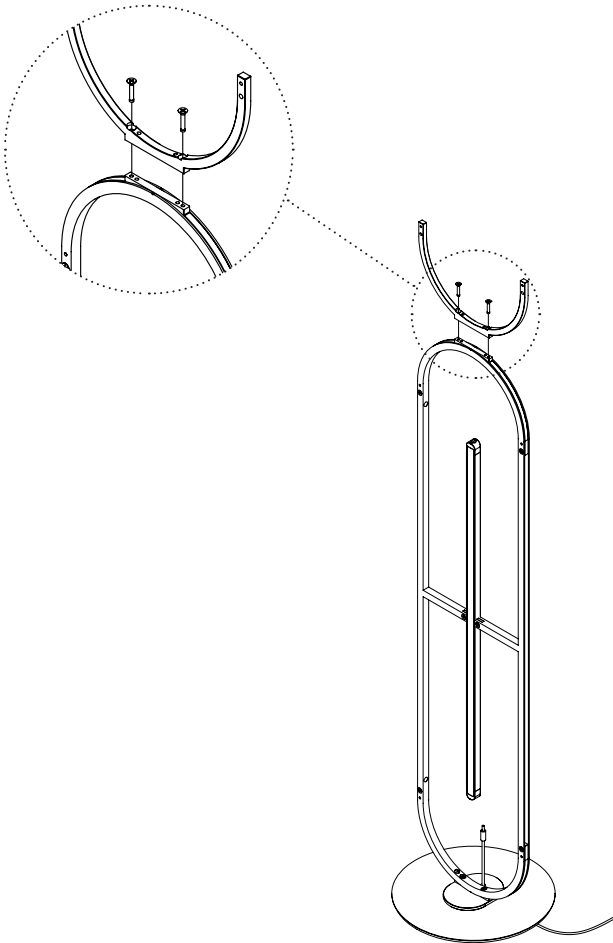
Slide frame A on bracket A and secure it with the puck screws.

**FOR VALE FLOOR 1,
SKIP TO STEP 6.**



STEP 3

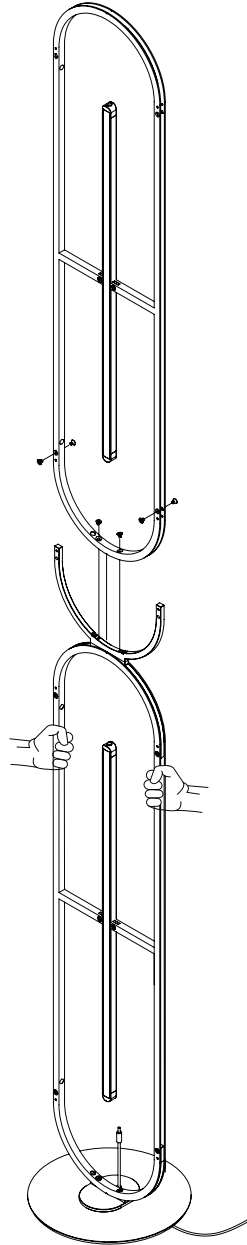
Using the bracket screw, install the bracket B on frame A.



INSTALLATION

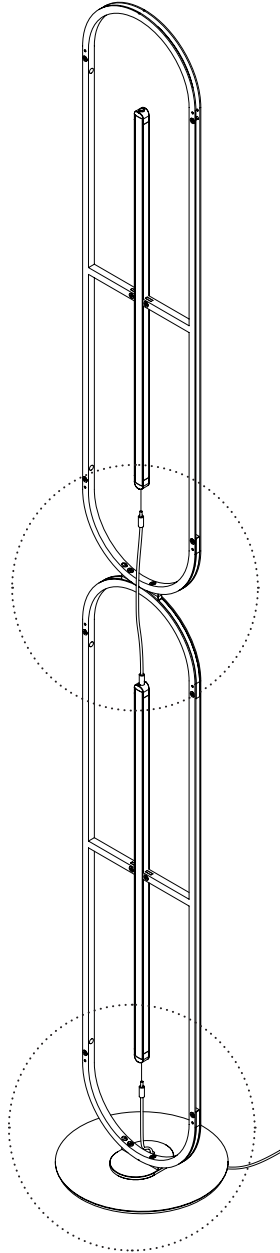
STEP 4

While firmly holding frame A, slide frame B on bracket B and secure it with puck screws.



STEP 5

Connect the LED modules using the provided jump cord and power cord.

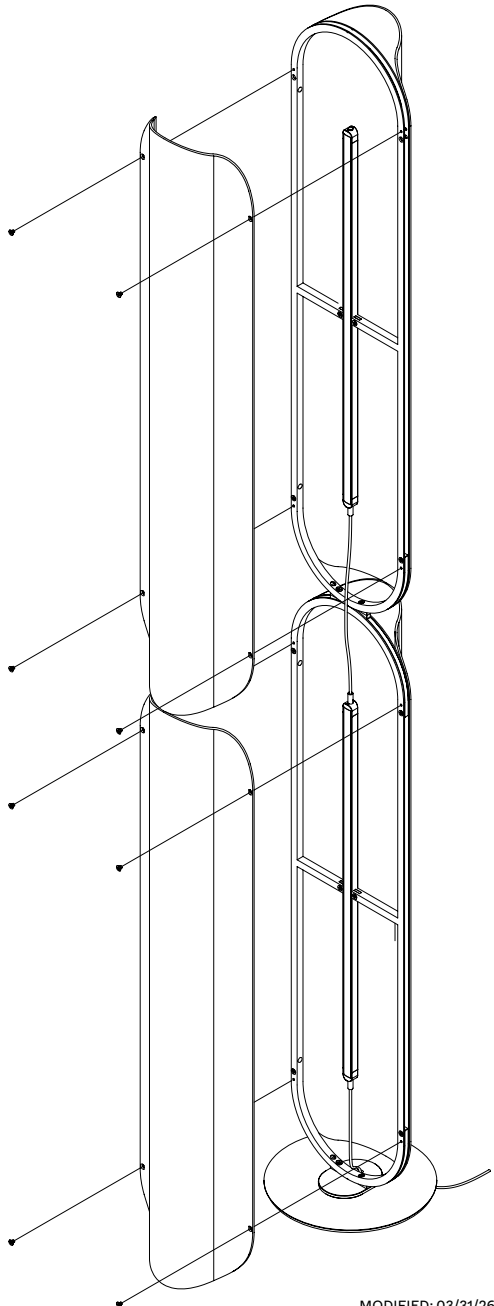


INSTALLATION

STEP 6

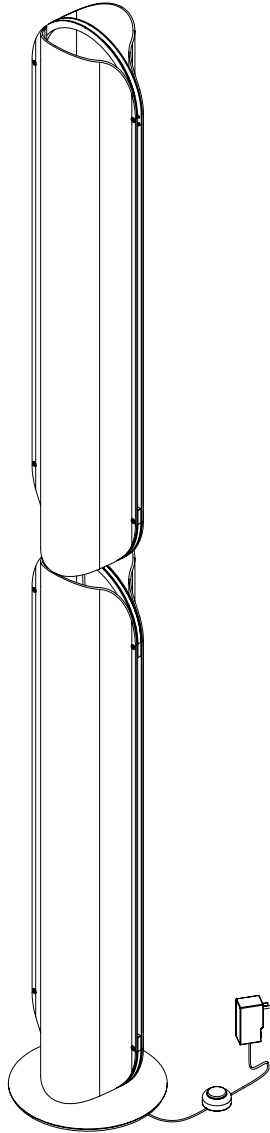
Using the clear plastic screws, mount the lenses to the frames on both sides.

Be careful not to over tighten screws as it could strip the thread.



STEP 7

Press and hold the dimmer switch to reach the desired light output.



A—N—D

For support, please contact:

info@a-n-d.com

+1 604 563 6938



1951 Franklin St,
Vancouver, BC
Canada V5L 0C7

A-N-D.COM