



# Ringo

## Joan Gaspar

**marset**

A large pendant or ceiling lamp that accentuates material rather than form. Its large size is in keeping with its function, since it's been designed to illuminate large spaces with considerably high ceilings and contemporary architectural projects requiring a

great deal of light. Switched off it's a forceful object with a strong presence; switched on it manages to make the material less dense and its design weightless.



**Ringo 70**

Code	Finish
A732-102-53-3CCT	● Smoked
A732-102-62-3CCT	● Dark smoked
A732-102-63-3CCT	● Rosé
A732-102-57-3CCT	● Green

Electrical  
 Electrical Rating: 120-277VAC 60Hz 31W  
 Luminaire: 2363lm  
 CCT: 2700K-3000K-4000K  
 CRI: 90

The 3-CCT model has an integrated switch to select the desired color temperature during the installation.


Dimmable: Yes  
 Integrated dimmer: No  
 Dimming protocols: TRI-DIM driver:  
 TRIAC (min. 1%) /  
 ELV / 0-10V

Materials  
 Shade: Rotomoulded polycarbonate  
 Diffuser: Opal methacrylate

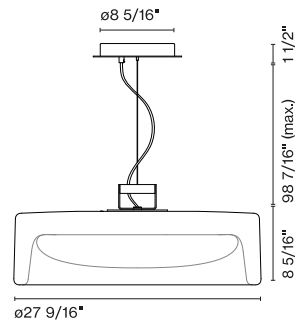
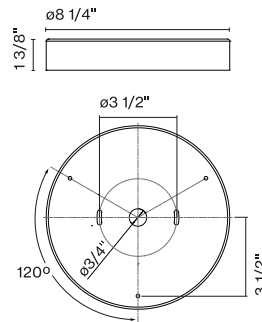
Product Notes: LED included.  
 Cable length: 98.4"

Fixture net weight: 25.1 lb

Wire installation: Hardwired

 Dry locations only Dimmable

Mounting plate detail:



**Ringo 90**

Code	Finish
A732-105-53-3CCT	● Smoked
A732-105-62-3CCT	● Dark smoked
A732-105-63-3CCT	● Rosé
A732-105-57-3CCT	● Green

The 3-CCT model has an integrated switch to select the desired color temperature during the installation.

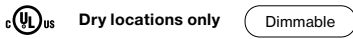
Dimmable: Yes  
 Integrated dimmer: No  
 Dimming protocols: Dual dimming driver:  
 ELV (min. 10%) /  
 0-10V (min. 10%)

Materials  
 Shade: Rotomoulded polycarbonate  
 Diffuser: Opal methacrylate

Product Notes: LED included.  
 Cable length: 98.4"

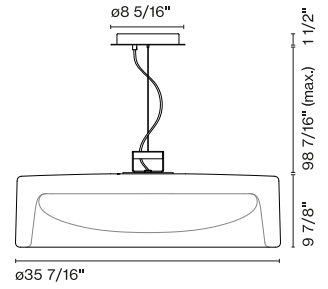
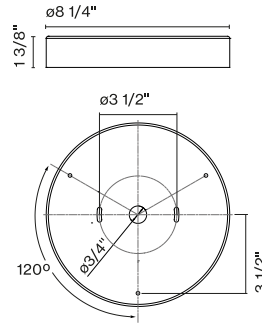
Fixture net weight: 43.03 lb

Wire installation: Hardwired



Electrical  
 Electrical Rating: 120-277VAC 60Hz 53W  
 Luminaire: 4746lm  
 CCT: 2700K-3000K-4000K  
 CRI: 90

Mounting plate detail:



**⚠ WARNING.** California Proposition 65 Warning for California Consumers. This product can expose you to chemicals including wood dust and lead which are known to the State of California to cause cancer or birth defects or other reproductive harm. For more information go to [www.P65Warnings.ca.gov](http://www.P65Warnings.ca.gov)

[marsetusa@marset.com](mailto:marsetusa@marset.com)  
[www.marset.com](http://www.marset.com)

**Download** Photometric data file (LDT or IES)  
 2D, 3D, Photometric Data  
 Assembly instructions