

FLOS

■ F6380030 Black

Snoopy

Designed by Achille and Pier Giacomo Castiglioni, 1967



Halogen - 100W

Table lamp giving direct light with enamelled metal reflector and white Carrara's marble base. It was designed by Achille e Pier Giacomo Castiglioni in 1967.

Are you a professional and your project needs consulting and support?

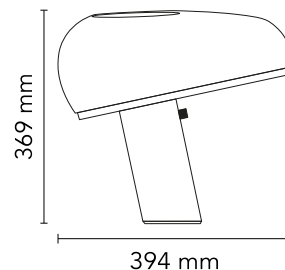
[BOOK AN APPOINTMENT](#)

Main specifications

EAN	8059607006375
Mounting	Table
Environments	Indoor dry location
Light source type	Bulb
Light sources included	No
Lamp category	Halogen
Lamp holders	E27
Ilcos	HSGS
Number of lamps	1
Power (W)	100

Physical

Colour	Black
Length (mm)	394
Cord colour	Black
Net weight (kg)	7.8
Package volume (m3)	0.1
IP internal	20




Download

[Mounting instructions](#)  PDF

[Mounting instructions](#)  PDF

Photometric Files

[LDT / IES](#)  LDT

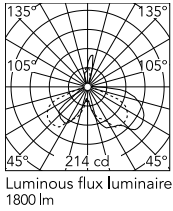
Technical Drawings

[2D](#)  ZIP

[3D](#)  ZIP



Schematic light drawing



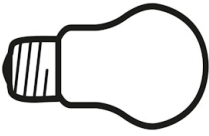
Photometric

Lighting type	Direct, Indirect
Light distribution	Asymmetric
Extreme cut off	No

Electrical

Insulation class	II
Frequency (Hz)	50/60
Main voltage (Vac)	220-240
Dimmable	Yes
Dimming interface	Dimmer Integrated
Plug type	Type C
Batteries inside	No

Bulbs



NOT INCLUDED

RF25317

LED Opal Lamp E27 8W 3000K
A60 Dimmable

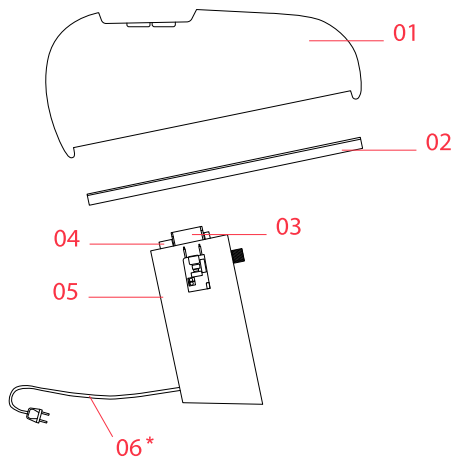


NOT INCLUDED

RF25323

LED Opal Lamp E27 8W 2700K
A60 Dimmable

Spare Parts



*In case of a replacement from an old-type dimmer and/or fuse box cable to a new-generation dimmer and/or standard cable, Flos recommends purchasing both new-generation spare parts.

- | | | |
|-----|--|---------|
| 01. | Snoopy Black reflector | RF80966 |
| 02. | Snoopy glass diffuser | RF84656 |
| 03. | Snoopy E27 lamp holder | RF11912 |
| 04. | Ring nut | RF11919 |
| 05. | Snoopy electronic touch dimmer
new type | RF36804 |
| 06. | Snoopy electrical assembly new
type | RF10152 |



RF80966

Snoopy Black reflector



RF84656

Snoopy glass diffuser



RF11912

Snoopy E27 lamp holder



RF11919

Ring nut



RF36804

Snoopy electronic touch dimmer
new type



RF10152

Snoopy electrical assembly new
type