

FLOS

|| F0300000 Steel

Arco

Designed by Achille and Pier Giacomo Castiglioni, 1962

Halogen - 70W

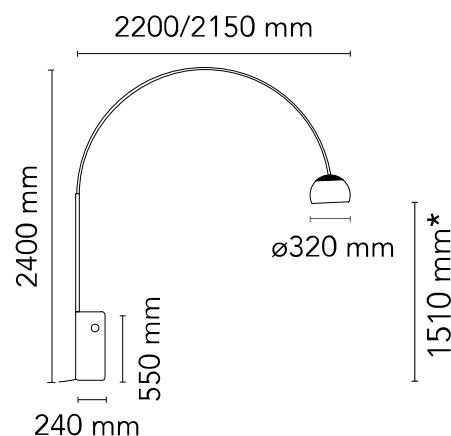


Floor lamp emitting direct light via a perforated aluminium diffuser mounted on a stainless-steel telescopic stem. Swivelling and height-adjustable reflector made from pressed, polished and zapon-varnished aluminium. A white Carrara marble base acts as a counterbalance and features a hole to allow for transport with a wooden pole.

Designed in 1962, Arco redefined overhead lighting by eliminating the need for ceiling suspension. A cornerstone of Italian design history, it is among the few objects to have received a Product Lifetime Achievement Award as a globally recognised innovation that has inspired countless imitations. Inspired by street lighting, Achille and Pier Giacomo Castiglioni ingeniously adapted the idea for a domestic setting, challenging traditional notions of home lighting. True to their philosophy, Arco is a masterclass in functional elegance, where every element serves a purpose.

Are you a professional and your project needs consulting and support?

[BOOK AN APPOINTMENT](#)



*The diffuser can be adjusted to 1700 mm or 1850 mm.

Main specifications

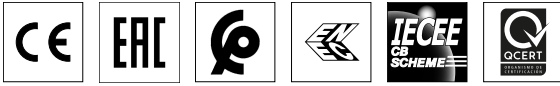
EAN	8059607000946
Mounting	Floor
Environments	Indoor dry location
Light source type	Bulb
Light sources included	No
Lamp category	Halogen
Lamp holders	E27
Iicos	HSGSA/S
Number of lamps	1
Power (W)	70

Physical

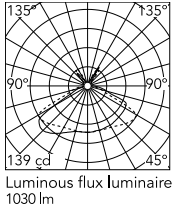
Colour	Steel
Length (mm)	2200
Cord colour	Black
Cord length (mm)	2500
Net weight (kg)	63.8
Package volume (m3)	0.13
IP internal	20

Download

Mounting instructions	PDF
Mounting instructions	PDF
Mounting instructions	PDF



Schematic light drawing



Photometric

Lighting type	Direct
Light distribution	Asymmetric
Extreme cut off	No

Electrical

Insulation class	II
Frequency (Hz)	50/60
Main voltage (Vac)	220-250
Plug type	Type C
Batteries inside	No

Bulbs



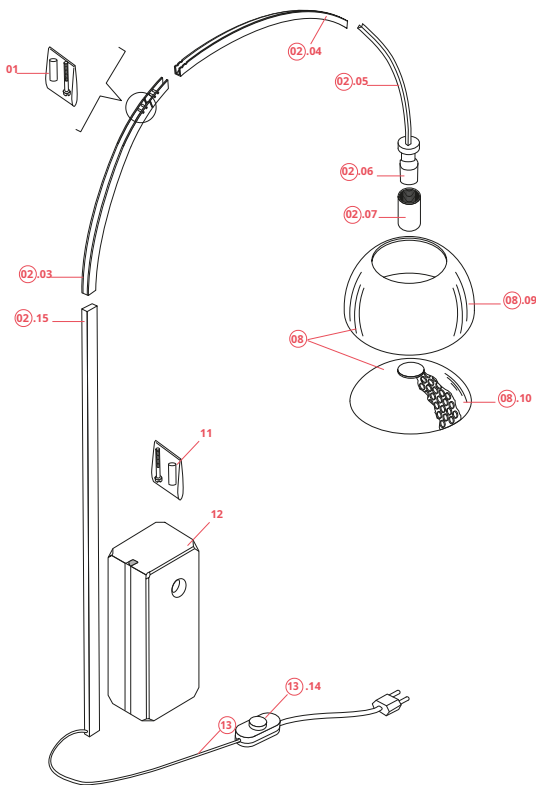
NOT INCLUDED

RF32771

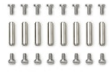
LED Lamp 11W lm E27 220-240V

2700K A70

Spare Parts

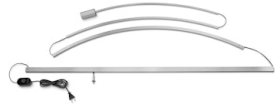


01.	Pins and screw set	RF0300200
02.	Arco Stem and channels EneC assembly with on/off switch	F0330000
03.	Long inox channel	RF02970
04.	Medium inox channel	RF02971
05.	Small inox channel with lamp holder integrated	RF02972
06.	Arco Lamp holder with joint	RF0300300
07.	Arco Anodized sleeve	RF02593
08.	Arco EneC reflector and grid	F0320000
09.	Polished reflector	RF00797
10.	Arco Polished grid	RF01411
11.	Fixing screw with joint	RF0300100
12.	Marble base	F0310000
13.	Arco Electrical wiring assembly with on-off switch	RF04724
14.	Black d/661 on-off switch	RF04392
15.	Inox stem	RF21041



RF0300200

Pins and screw set



F0330000

Arco Stem and channels EneC assembly with on/off switch



RF02970

Long inox channel



RF02971

Medium inox channel



RF02972

Small inox channel with lamp holder integrated



RF0300300

Arco Lamp holder with joint



RF02593

Arco Anodized sleeve



F0320000

Arco EneC reflector and grid



RF00797
Polished reflector



RF01411
Arco Polished grid



RF0300100
Fixing screw with joint



F0310000
Marble base



RF04724
Arco Electrical wiring assembly
with on-off switch



RF04392
Black d/661 on-off switch



RF21041
Inox stem