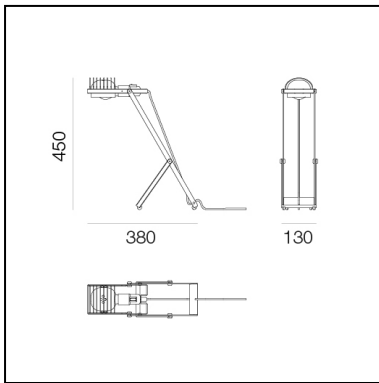


Sintesi - Table - Red

Ernesto Gismondi



IP20  



LUMINAIRE *

- Watt: **11W**
- Delivered lumen output: **887lm**
- CCT: **2700K**
- Efficiency: **58%**
- Efficacy: **80.63lm/W**
- CRI: **80**

* Photometric data may vary depending on the source installed. Light measurements are provided in relative form and technical lighting calculations may be updated according to the effective source used.

Notes

For optimal light performance, it is recommended to use a lamp with a clear glass bulb.

DESCRIPTION

Introduced in 1975, Sintesi was the first Artemide lamp signed by its founder, Ernesto Gismondi. Conceived as an intelligent system, it is built around simple, shared components that form a versatile family of products. The table version, now reissued, is the core from which the entire system evolves.

Its structure is minimal yet adjustable in height and angle, composed of a few bent metal elements.

Two C-shaped profiles of different lengths create a Y-shaped support, allowing the lamp to tilt through a simple opening and closing motion.

The light source is held and directed by a frame with a E27 socket, ensuring long-term adaptability. The frame also supports a reflector and a protective grid.

Sintesi can fold in on itself for compact packaging. Its direct and functional design reflects the hands-on approach of Ernesto Gismondi, who combined technical vision, production efficiency, and attention to quality to create a timeless icon.

FEATURES

- Product Code: **0030040A**
- Colour: **Red**
- Installation: **Table**
- Series: **Design Collection, Novelties**
- design by: **Ernesto Gismondi**

DIMENSIONS

- Length: **380 mm**
- Width: **130 mm**
- Height: **450 mm**

SOURCES NOT INCLUDED

- Category: **LED RETROFIT**
- Number: **1**
- Watt: **MAX 11W**
- Socket: **E27**