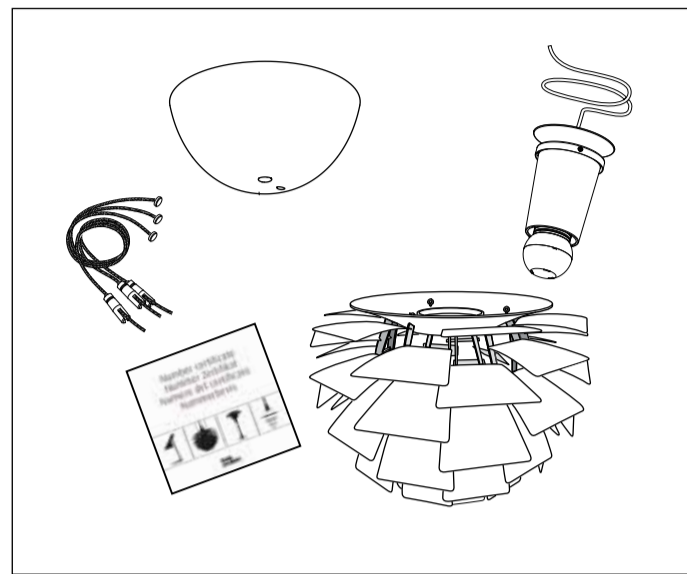
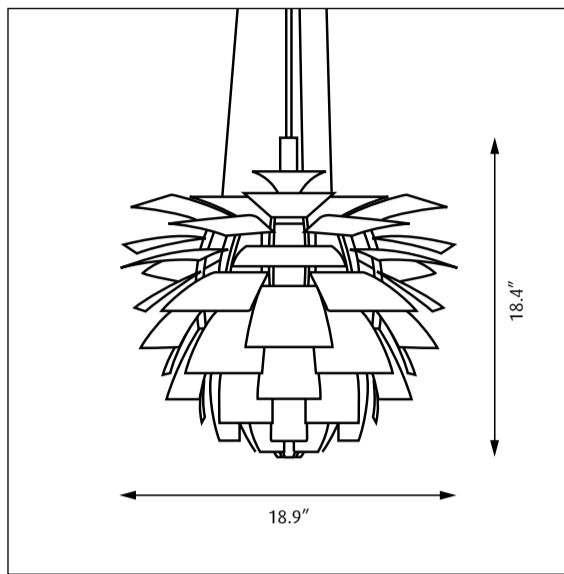


PH Artichoke LED Ø18.9"

Design Poul Henningsen



18213-11

Light source	Voltage	Weight	Electric shock protection	Ingress protection
LED	120 V	Max 20 Lbs	Cl. I	IP 20

The luminaire may only be lifted/carried by the wire and never by the cable!

Recommended cleaning substances:

Wipe off dust with a dry, soft cloth. Remove greasy spots etc. with a soft cloth dampened in lukewarm water (<122° F/ 50° C) with a mild detergent.

Warning: Scouring powder and similar substances will scratch surfaces.

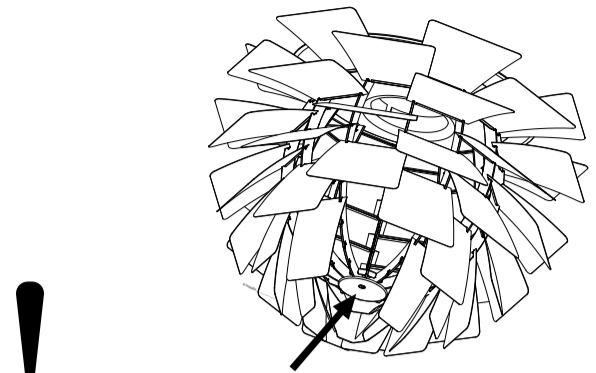
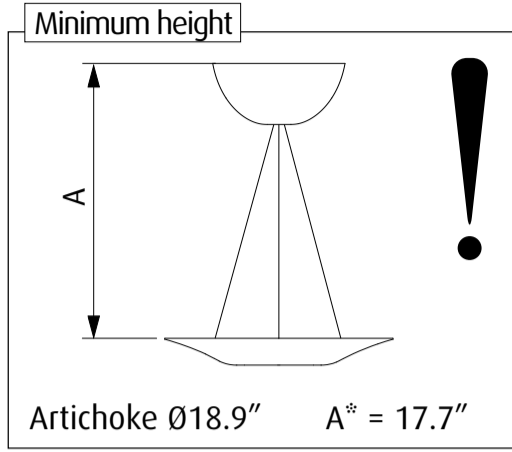
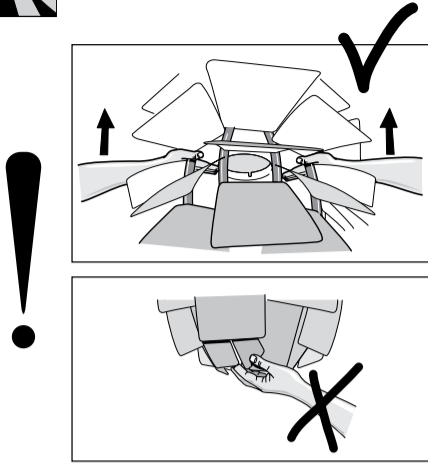
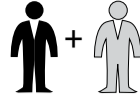
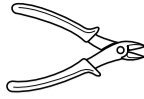
All installation is subject to local code and jurisdiction.

Consult a qualified electrician to ensure correct branch circuit conductor.

The installer must ensure that the ceiling can support the luminaire's weight. The installer must if necessary reinforce the ceiling structure by adequate means.

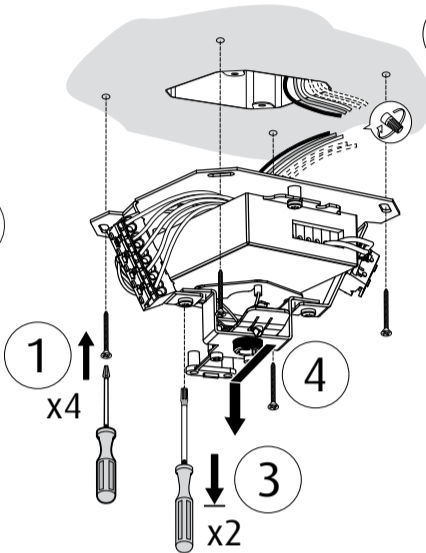
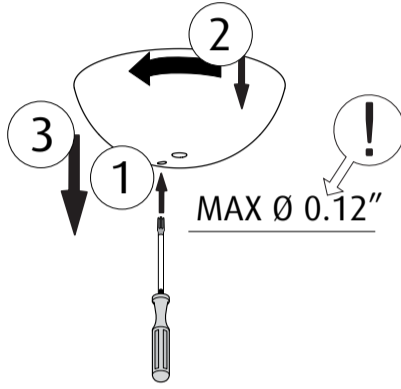


Due to possibility of personal injury or property damage, always contact a qualified electrician for servicing or repair of this fixture. To avoid risk of electrical shock, personal injury, or death, disconnect power to fixture before servicing.



ID NUMBER: _____
Please register ID number at www.louispuulsen.com

Canopy removal



2

- Green (Ground)
- White (Neutral)
- Black (Line)

For dimming wires use class 1 wiring methods:
Grey (0-10V Dim -)
Violet (0-10V Dim +)

0-10 Mains Dim

