

A—N—D

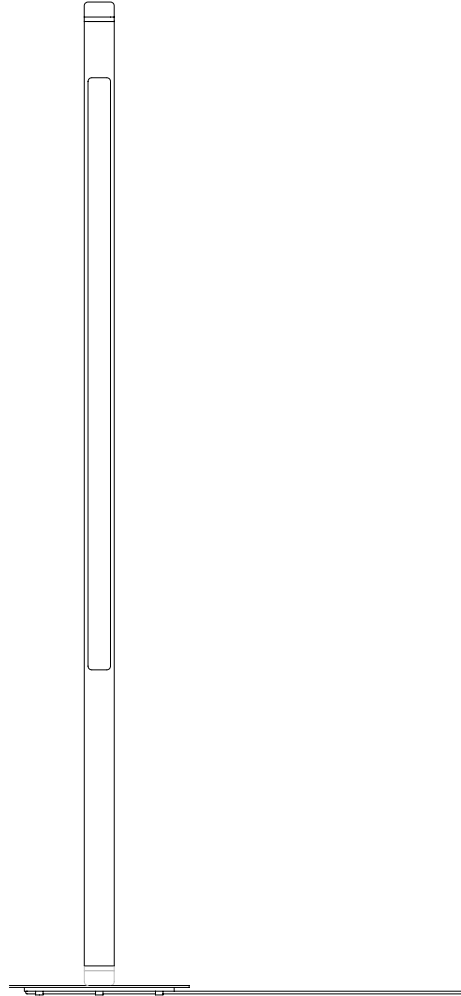
PIPELINE SERIES TABLE/FLOOR

DESIGNER
CAINE HEINTZMAN

INSTRUCTIONS



SCAN HERE



NORTH AMERICA

A-N-D.COM

INSTALLATION NOTES

The luminaire is powered by a plug in LED driver.

For questions regarding installation, please email info@n-d.com



CARE INSTRUCTIONS

Always wear clean gloves when handling the luminaire. Clean finished surfaces with a soft, lint-free cloth. Clean glass diffuser with a microfibre cloth and a standard glass cleaner. When changing light bulb, turn fixture off and allow to cool to room temperature prior to removing glass.

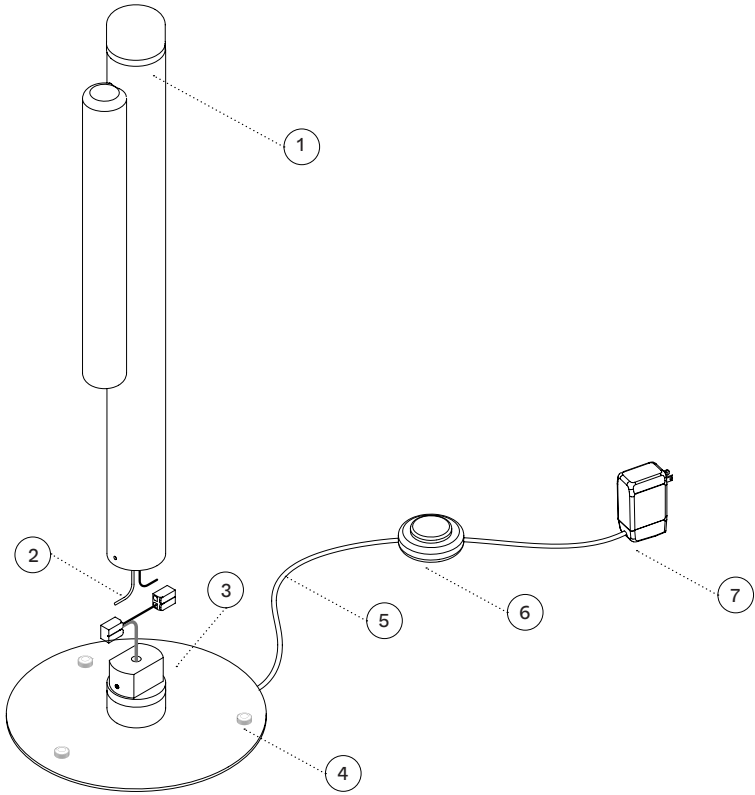
For replacement parts, contact A-N-D directly.



WARNING

The luminaire must be installed by a qualified electrician in a dry indoor location.

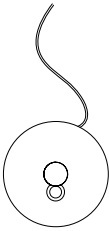
Failure to meet any or all of these criteria will not only damage the luminaire, but will void both the warranty and all of its certifications.



- ① LUMINARE BODY
- ② LOW VOLTAGE JUMP WIRES
- ③ MIRROR BASE
- ④ ADJUSTABLE FEET
- ⑤ COAXIAL ELECTRICAL CORD
- ⑥ DIMMER SWITCH
- ⑦ PLUG IN DRIVER

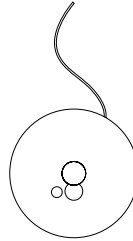
PIPELINE TABLE / FLOOR DIMENSIONS

TABLE

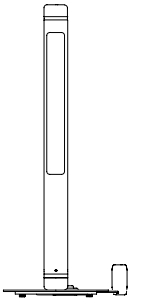


Ø23cm
Ø8.75"

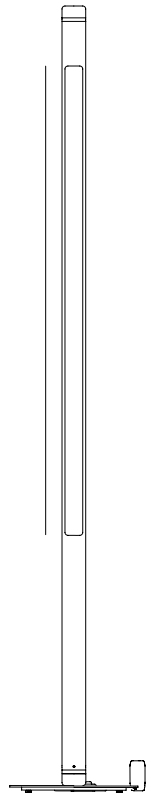
FLOOR



Ø23cm
Ø8.75"



62cm
24.25"



168cm
66.25"

STEP 1

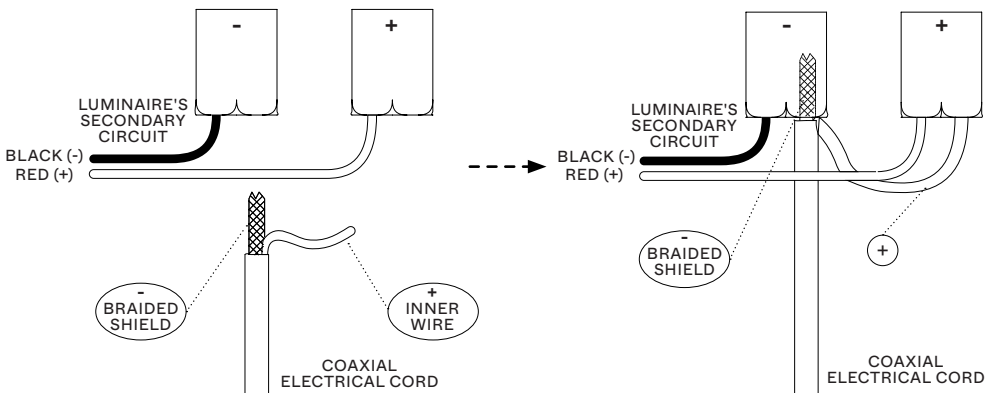
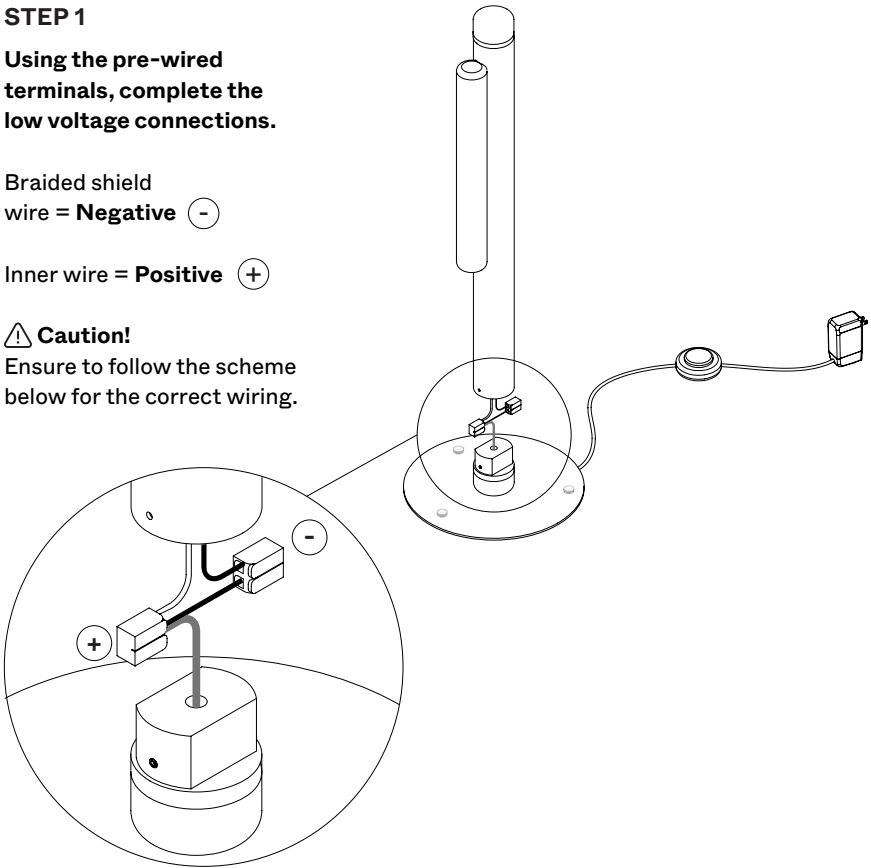
Using the pre-wired terminals, complete the low voltage connections.

Braided shield wire = **Negative** (-)

Inner wire = **Positive** (+)

⚠ Caution!

Ensure to follow the scheme below for the correct wiring.

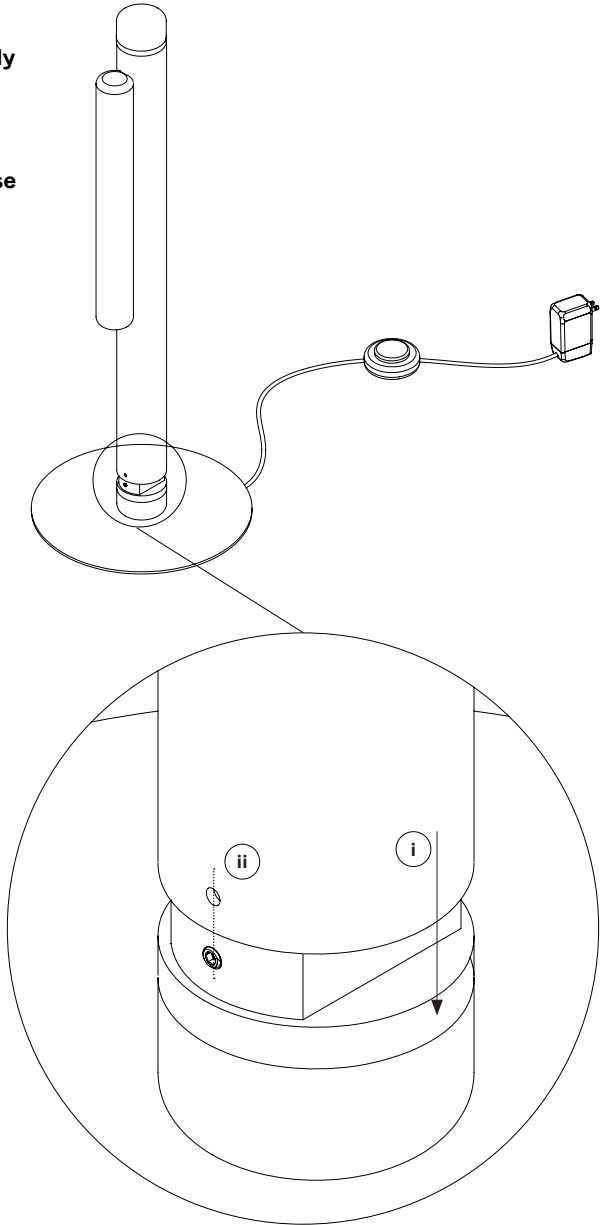


INSTALLATION

STEP 2

i) Slide the luminaire body over the base assembly.

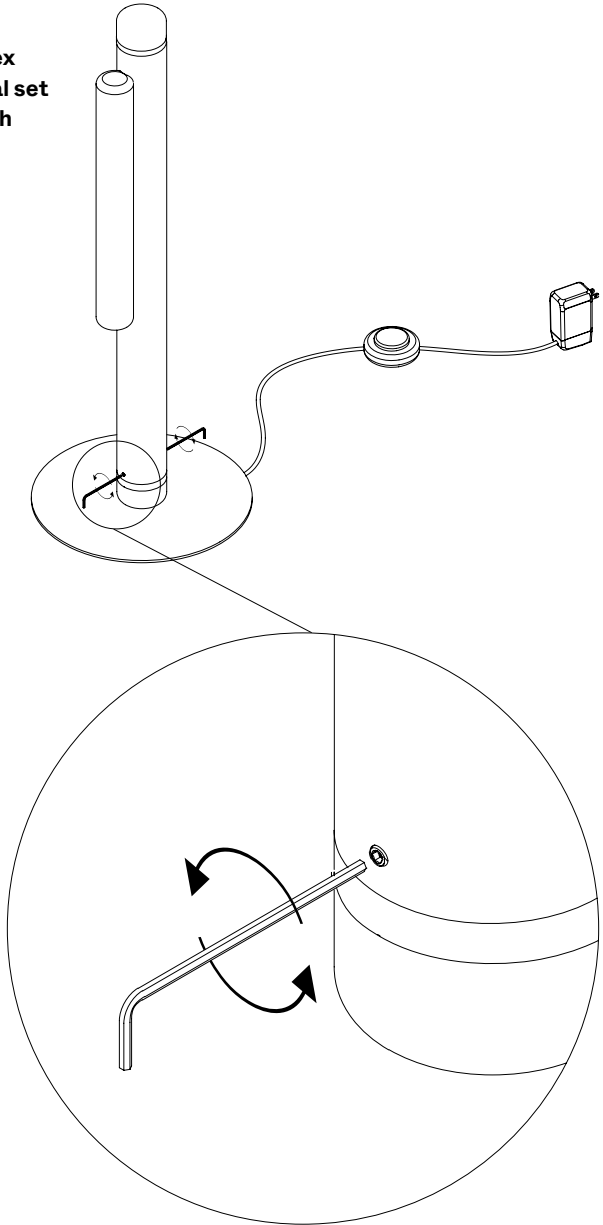
ii) Align the holes on the luminaire body with those on the base assembly.



***PIPELINE TABLE SHOWN**

STEP 3

iii) Using the provided hex key, back out the internal set screw (2) until it sits flush with the luminaire body.

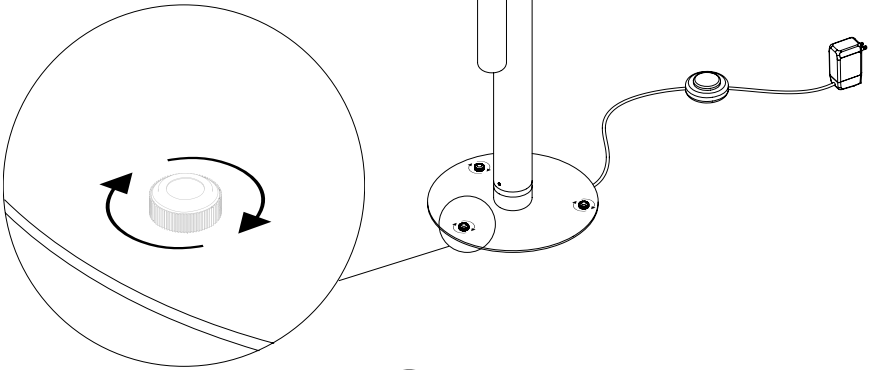


*PIPELINE TABLE SHOWN

INSTALLATION

STEP 4

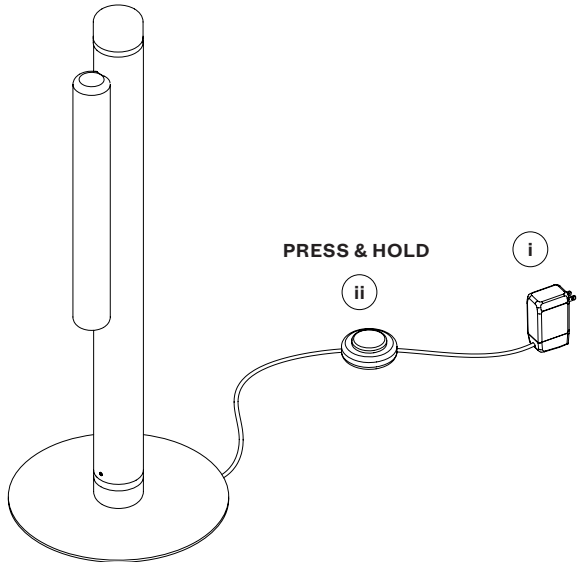
If required, adjust the feet (x3) under the weighted base to level the luminaire.



STEP 5

i) Plug in the light fixture.

ii) To dim the light, press and hold the dimming control on coaxial power cord until you reach the desired brightness.



A—N—D

For support, please contact:
info@a-n-d.com
+1 604 563 6938

1951 Franklin St,
Vancouver, BC
Canada V5L 0C7