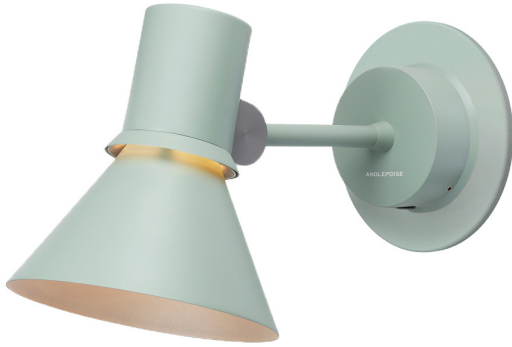


Type 80™ W1

Type 80™ Collection | Technical Sheet

ANGLEPOISE®
Abandon Darkness.

Launched In 2019 | Designed by Sir Kenneth Grange



Product

- W1 Wall Light - Grey Mist
- W1 Wall Light - Matte Black
- W1 Wall Light - Pistachio Green
- W1 Wall Light - Rose Pink

Description

Distinguished by a striking, graphic profile, Type 80's design is further enhanced by an attractive 'halo' light-escape feature in the shade. Every detail has been carefully considered and precision engineered to deliver streamlined style, ease of use and consistency across the collection. The lamp features sprung joint mechanisms with an accessible on-shade on/off switch. The wall sconce is visually aligned and easy to install.

Materials

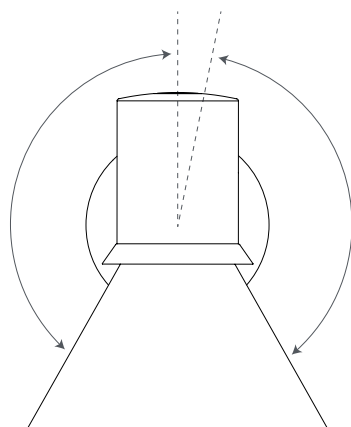
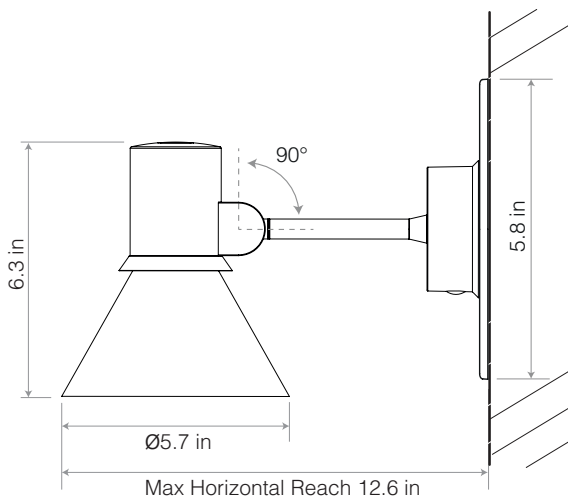
- Matt paint and Anodised Aluminum finish
- Aluminum shade
- Steel Stem
- Anodised machined joint
- Aluminum and Steel wall plate
- Color-matched Junction Box Mounting Kit
- IP20 rating

Dimensions

- Shade diameter: 5.7in
- Shade height: 6.3in
- Max Reach: 12.6in (from wall to shade)
- Product Dimensions: 10.4in x 5.8in x 6.3in (L x W x H)
- Junction box mounting kit: depth 0.3in, diameter 5.8in
- Lamp Packaging: 7.7in x 7.1in x 12.8in (L x W x H)
- Lamp Packaged Weight: 3.4 lbs

Electrical

- cUL Certified
- Voltage: 110/120V, 50/60Hz
- Integrated shade switch
- E26 Lamp holder
- Maximum permitted bulb: 10W LED
- Supplied with a compatible LED bulb:
 - 4W LED Bulb
 - Luminous Intensity: 380lm
 - Life: 15,000 Hours
 - Non-dimmable
 - Color Temperature: 2700K
 - CRI (Ra) : ≥ 80



Shade Rotational Movement

