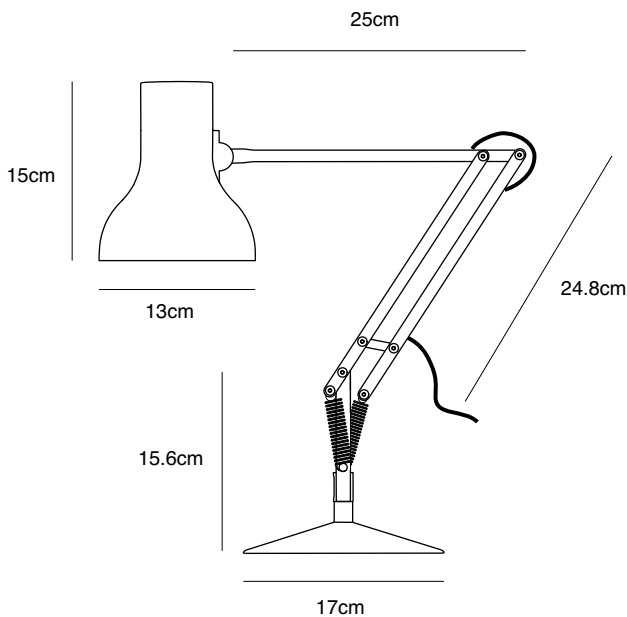


Type 75™ Mini Metallic Desk Lamp

ANGLEPOISE®

Type 75™ Mini Metallic Collection | Technical Sheet

Launched In 2017 | Designed by Sir Kenneth Grange



Product

Desk Lamp - Silver Lustre
Desk Lamp - Gold Lustre
Desk Lamp - Copper Lustre

Description

The Type 75™ Mini Metallic desk lamp is a high class task light that marries faultless function with statement-making form. Not only does this iteration of an Anglepoise® classic come in three sophisticated anodised brushed aluminium finishes, the shade also boasts a seamlessly integrated switch.

Materials

- Anodised brushed aluminium finish
- Aluminium shade
- Aluminium arms
- Chrome plated fittings
- Cast iron base with aluminium cover
- Anglepoise® constant tension spring technology

Dimensions

- Shade diameter: 13cm
- Shade height: 15cm
- Max reach: 50cm (from base to shade)
- Base diameter: 17cm
- Cable length: 180cm
- Lamp Packaging (L x W x H): 23cm x 16.5cm x 46.5cm
- Lamp Packaged Weight: 2.79kg

Electrical

- Voltage 220/240V, 50/60Hz
- Class II - Double insulated
- Note: Bulb weight critical for balance. Approximate bulb weight 25-45g
- Integrated shade switch
- Plug: 2-pin Europlug to CEE 7/16
- E27 lamp holder
- Maximum permitted bulb: 15W CFL / 6W LED E27
- Supplied with compatible E27 6W LED bulb
 - Luminous Intensity: 470lm
 - Life: 15,000 Hours
 - Non-dimmable
 - Colour Temperature: 2700K
 - CRI (Ra): 80