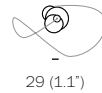


12  
(0.5')  
adjustable  
up to 3000  
(10')  
standard

adjustable  
up to  
24600  
(80')  
custom  
max.



29 (1.1')

approx 2kg (4.5lb)

PENDANTS: one

MOUNTING: mini brass canopy 29mm (1.1") in diameter x 12mm (0.5") deep

LAMPING: 1.5w LED

CABLE: adjustable. 3000mm (10') standard / up to 24600mm (80') maximum

MATERIALS: blown and dipped glass, cast borosilicate glass cap, brass hardware, braided metal coaxial cable, aircraft cable, electrical components.

WEIGHT: approximately 2kg (4.5lb)

TRANSFORMERS: remote mounted (fixture does not hook directly to a junction box). Transformers included

#### DESCRIPTION

57.1m designates a single 57 pendant suspended from a brass mini canopy. This chandelier is designed to be horizontal, meaning that the pendant doesn't hang directly below, but instead trails off across a space, around a corner or simply deviates from its gravitational directive. As such, the pendant is designed to be hung from any number of optional swag points mounted elsewhere from the canopy.

57 is an exploration of a technique used for producing closed cell foam. The process involves trapping voids of air of different sizes and configurations within a glass matrix, yielding a shape loosely referencing a rain cloud. These pockets of air remain invisible when the piece is off, but come alive to reveal an interior universe when the piece is illuminated. By virtue of the fabrication process, each piece is completely unique.

#### NOTES

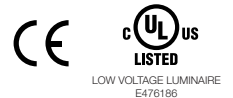
- + Purchase replacement lamps online at [www.bocci.ca/lamps](http://www.bocci.ca/lamps)
- + Requires transformers to be remote mounted

EU Patent # 002268581-0001 to 0006  
Worldwide patents issued and pending

Made in Vancouver, Canada

Vancouver  
[sales@bocci.ca](mailto:sales@bocci.ca)  
[www.bocci.ca](http://www.bocci.ca)

Berlin  
[europe@bocci.ca](mailto:europe@bocci.ca)  
[www.bocci.ca](http://www.bocci.ca)



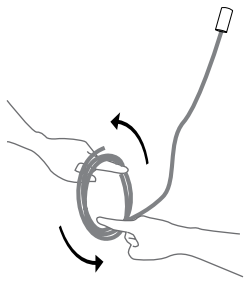
MINI CANOPY

# 57.1m

Design by Omer Arbel  
PRODUCT SPECIFICATION

© 2018, Bocci Design and Manufacturing Inc. All rights reserved. Any inquiries should be directed to: [info@bocci.ca](mailto:info@bocci.ca)

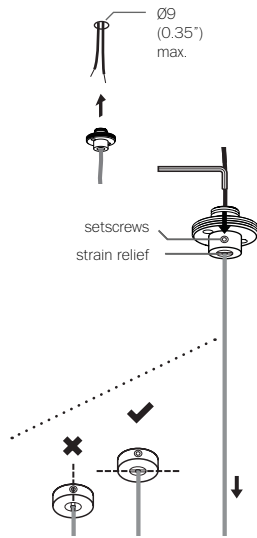
# BOCCI



1

Very carefully uncoil the braided coaxial cable in a spool like manner. Insert your index fingers into opposite sides of the roll then rotate your fingers around each other to unroll the coaxial cable.

Use patience: allow the cable to uncoil completely to avoid kinks.



2

Drill a maximum 9mm (0.35") diameter hole in ceiling material. Pull low voltage house wire through the hole.

Note: This low voltage wire will run to a remote mounted transformer.

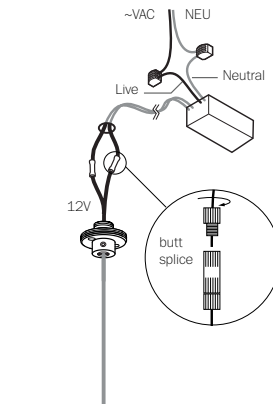
Thread the coaxial cable through the canopy, use a 2mm Allen key to loosen the setscrew in the canopy and gently feed the cable through until you have reached your desired drop length.

Use Allen key to tighten the setscrew to hold the strain relief and secure the coaxial cable at its new length. Perform a gentle tug test to ensure it is secure.

DO NOT OVERTIGHTEN.

Note: The strain relief is a black plastic collar around the coaxial cable. There is a single slot opening on the side of the strain relief component. It is essential that this opening is oriented at 90 degrees to set screw chamber. There can be no contact between the set screw and the cable.

RISK OF ELECTRIC SHORT!



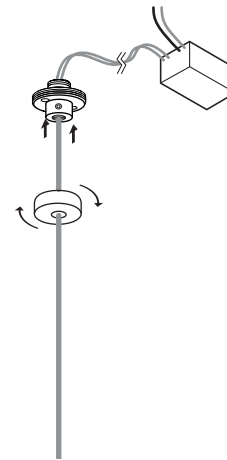
3

LED: connect the black wire to black and white wire to white wire.

Connect the house wires to the coaxial cable using #16 butt splices (stagger the splices). Use raw butt splices and heat shrink to simplify the installation.

For multiple pendant installations, ensure that the braided outer wires are all connected to one 12V output wire and all inner insulated wires are connected to the other or a short will occur.

Note: Insulated core is positive and braided exterior is negative.



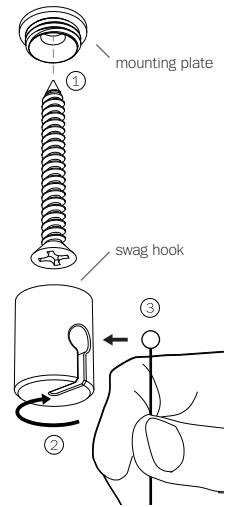
4

The client is responsible to ensure fasteners are attached to a robust structural substrate.

Affix mini-canopy to ceiling surface with fasteners provided. Twist the threaded cover into place.

5

Move pendant into location and mark the location for the swag hook



6

Ensure that the ceiling at the swag location is strong enough to hold 2kg (5lbs) before attaching swag hook with the provided screws.

Thread the swag hook on to the mounting plate, ensuring all the threads are engaged.

Slide the ball end of the aircraft into the slot on the swag hook.

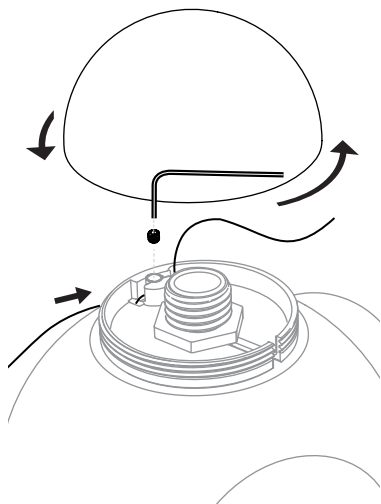
MINI CANOPY

57.1m

Design by Omer Arbel  
PRODUCT INSTALLATION INSTRUCTIONS

© 2018, Bocci Design and Manufacturing Inc. All rights reserved. Any inquiries should be directed to: info@bocci.ca

**BOCCI**

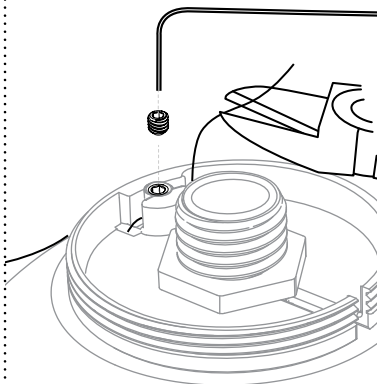


8

Remove the glass cap by turning counter-clockwise and set aside.

Note: throughout the installation, be mindful not to damage the glass cap and do not lose track of it, its size was chosen specifically for this pendant.

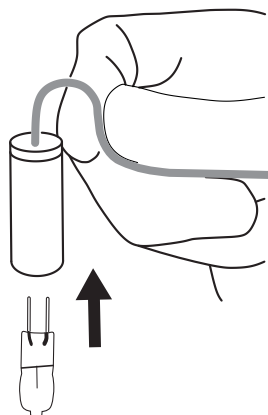
Using a 2mm Allen key, loosen the set screw on the hardware. Insert the aircraft cable into the small hole.



9

Once the pendant is positioned at the desired height, tighten the set screw to lock in the aircraft cable.

Using wire cutters, trim off any excess aircraft cable.



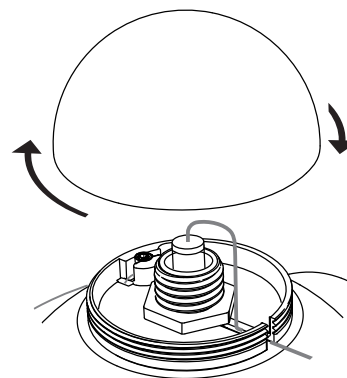
10

Form a hook-shape in the coax right above the lampholder pinching it together over your index finger or thumb. The lampholder should be roughly 90 degrees to the rest of the length of coax.

Bocci 1.8w LED lamps included.

Plug the lamp into the socket. Do not touch the lamp with your bare hands.

Purchase replacement lamps online at [www.bocci.ca/lamps](http://www.bocci.ca/lamps)



11

Insert the lampholder into the pendant through the hole in the centre of the cap mount. Set it in such a way that the crook rests parallel to the cap mount and runs through the slot with the lampholder inside the pendant perpendicular to the cap mount.

Put the cap back onto the pendant, ensuring that the coax remains seated in the slot. Thread the cap onto the mount.

DO NOT OVERTIGHTEN.

There should be a 2mm gap between the cap and the pendant with the coax emerging from inside.



12

Clean fingerprints from glass surfaces.

Turn fixture on.

For additional assistance, please contact Bocci:

Vancouver  
sales@bocci.ca  
[www.bocci.ca](http://www.bocci.ca)

Berlin  
europe@bocci.ca  
[www.bocci.ca](http://www.bocci.ca)

EU Patent # 002268581-0001 to 0006  
Worldwide patents issued and pending

Made in Vancouver, Canada

MINI CANOPY

57.1m

Design by Omer Arbel  
PRODUCT INSTALLATION INSTRUCTIONS

© 2018, Bocci Design and Manufacturing Inc. All rights reserved. Any inquiries should be directed to: [info@bocci.ca](mailto:info@bocci.ca)



LOW VOLTAGE LUMINAIRE  
E476186

**BOCCI**