

Soscik, classic form, *modern look.*

design Nicolas Terzani
terzani.com



Product Name




Soscik
large chandelier

Materials

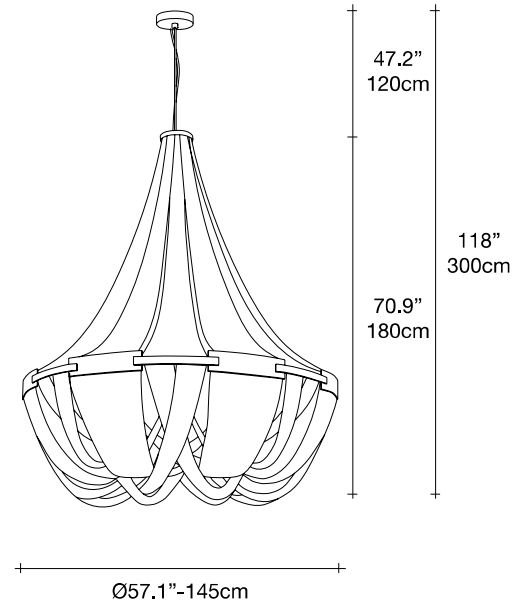
metal



Finishes | Code

-  nickel
0G57S H4 C8
-  bronze
0G57S F7 C8
-  gold
0G57S L8 C8

Body



overall height not adjustable on site
optional custom OAH

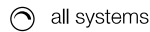


Recommended Light

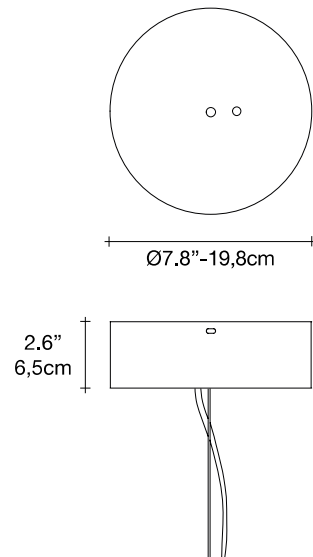
120V ~ 50/60Hz



dimmable with



Canopy



Reinventing the classics. With Soscik, Terzani combines traditional, artisan techniques with cutting edge technology to give the traditional chandelier a modern update. Created by interlacing metal chain over a nickel-plated frame, Soscik creates a dramatic and romantic effect, while still being able to compliment today's modern luxury. Available as a chandelier or a ceiling lamp, soscik proves that modern design does not have to sacrifice luxury. Design Nicolas Terzani.