

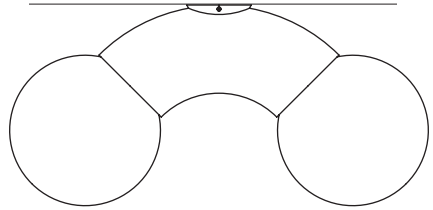


VINE SERIES

CEILING/WALL

Composed of a poised chrome arc flanked by two glowing glass globes—the fixture is able to create a big presence with a small electrical footprint.

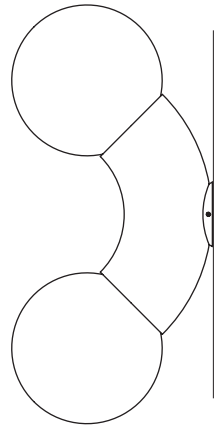
DESIGNER
CAINE HEINTZMAN



INSTRUCTIONS



SCAN HERE



NORTH AMERICA



andlight.ca

INSTALLATION NOTES

The luminaire is powered by line voltage and is rated for inputs between 110-130VAC.

For questions regarding installation, please email info@andlight.ca



CARE INSTRUCTIONS

Always wear clean gloves when handling the luminaire. Clean painted surfaces with a soft, lint-free cloth. Clean glass with a soft lint-free cloth and a standard glass cleaner.

For replacement glass globes, contact ANDlight directly.

Replace Lamping with G9 LED lamps. Never exceed the recommended wattage and voltage (MAX 5W,130V), as doing so may damage the luminaire or cause a fire.

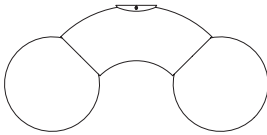


WARNING

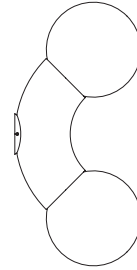
The luminaire must be installed by a qualified electrician in a dry indoor location.

Failure to meet any or all of these criteria will not only damage the luminaire, but will void both the warranty and all of its certifications.

The Vine Ceiling/Wall can be installed on a ceiling or wall, vertically or horizontally.

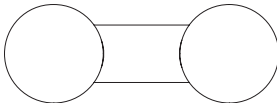


42cm | 16.5"

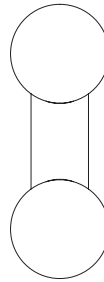


20cm | 7.75"

HORIZONTAL



VERTICAL



There are two installation options:



OPTION 1

Trimless: the mounting hardware is concealed beneath drywall, creating a subtle and elegant connection to the ceiling or wall.



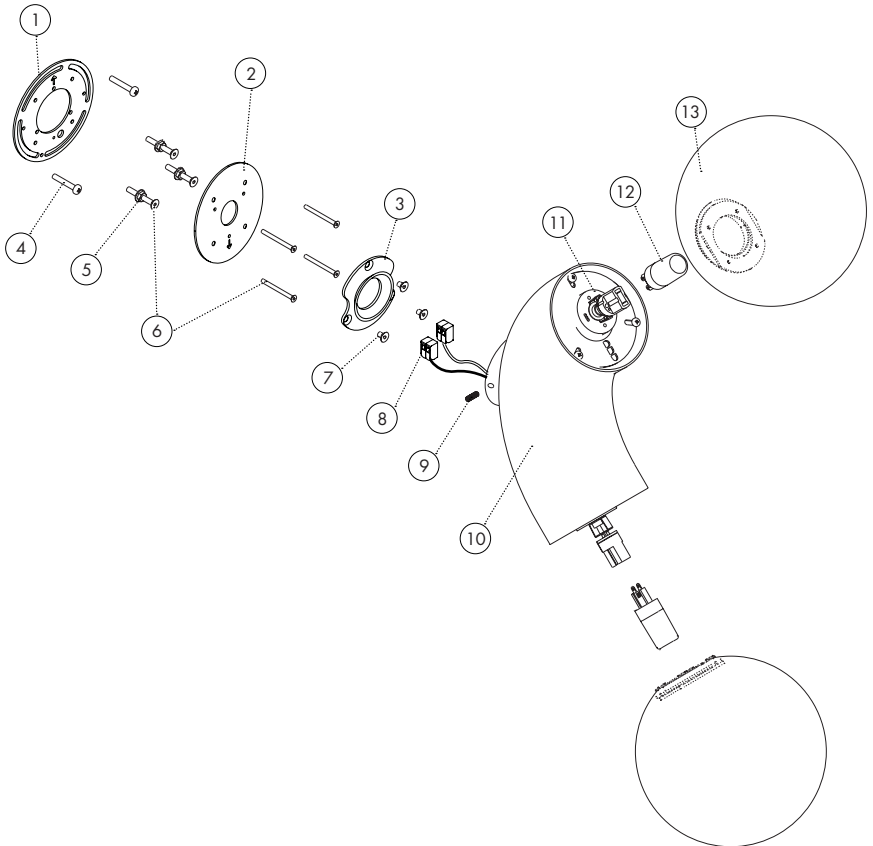
OPTION 2

Surface: the luminaire mounts above the wall surface and a decorative plate conceals the connections to the junction box.

COMPONENTS — OPTION 1

TRIMLESS

- ① MOUNTING PLATE A
- ② MOUNTING PLATE B
- ③ MOUNTING RING
- ④ #8-32 SCREW (2)
- ⑤ M4 HEX NUT (3)
- ⑥ M4X35 SCREW (7)
- ⑦ M4X10 SCREW (3)
- ⑧ TERMINAL BLOCK (2)
- ⑨ SET SCREW (2)
- ⑩ LUMINAIRE
- ⑪ GLOBE HOLDER (2)
- ⑫ G9 LAMP (2)
- ⑬ GLASS GLOBE (2)

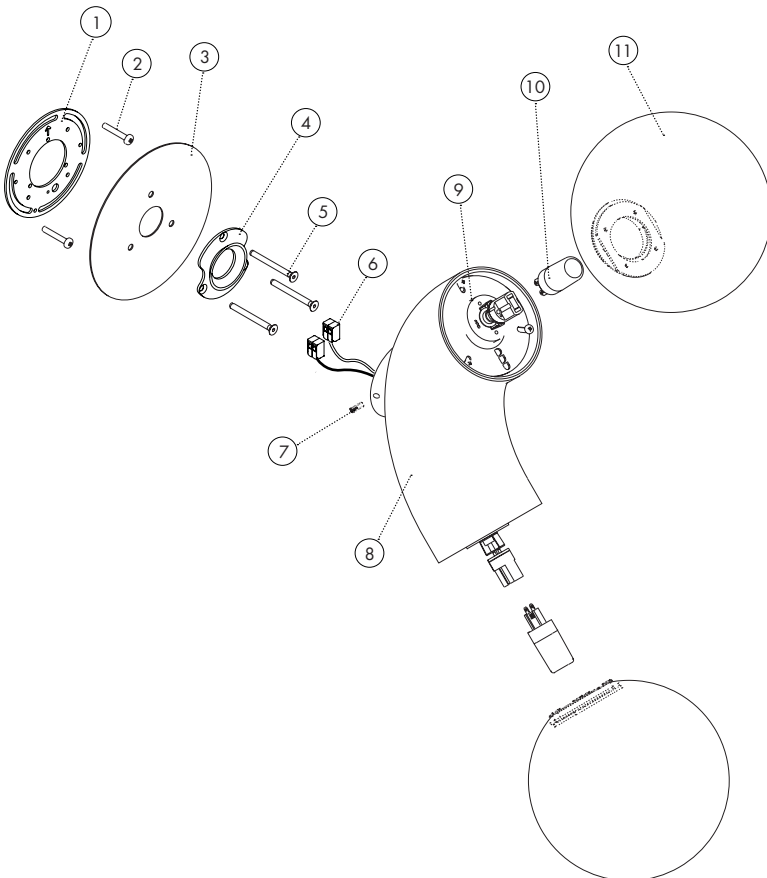


COMPONENTS — OPTION 2



SURFACE

- ① MOUNTING PLATE A
- ② #8-32 SCREW (2)
- ③ DECORATIVE COVERPLATE
- ④ MOUNTING RING
- ⑤ M4X35 SCREW (3)
- ⑥ TERMINAL BLOCK (2)
- ⑦ SET SCREW (2)
- ⑧ LUMINAIRE
- ⑨ GLOBE HOLDER (2)
- ⑩ G9 LAMP (2)
- ⑪ GLASS GLOBE (2)



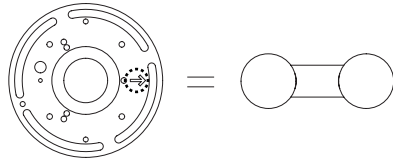
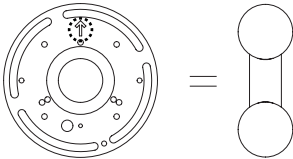
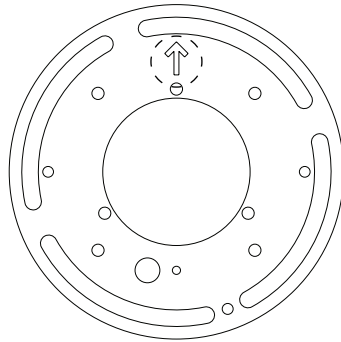
INSTALLATION

STEP 1

Determine the position of mounting plate A.

Look for the arrow on the mounting plate A. Point the arrow towards the desired position of the luminaire.

↑ = vertical fixture
⇒ = horizontal fixture

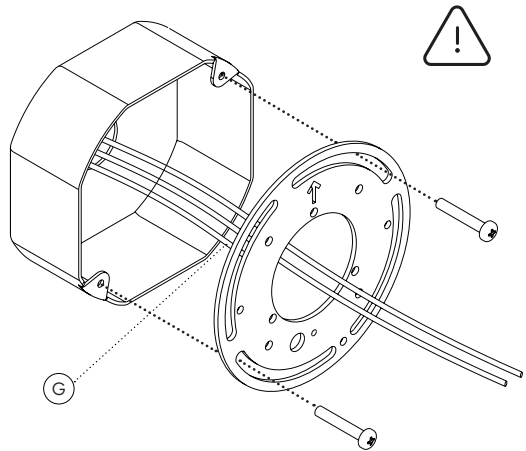


STEP 2

Attach mounting plate A to the junction box. Connect ground. (G)

Use the provided #8-32 screws.

⚠ Caution!
Ensure that the power is disconnected.



The next steps depend on the installation method selected.

TRIMLESS — PAGE 7

SURFACE MOUNT — PAGE 10

TRIMLESS

For trimless option, the mounting hardware is concealed underneath drywall, creating a subtle connection to the junction box.

Due to the need for drying time, the installation requires several days to complete. Using a drywall professional is recommended.

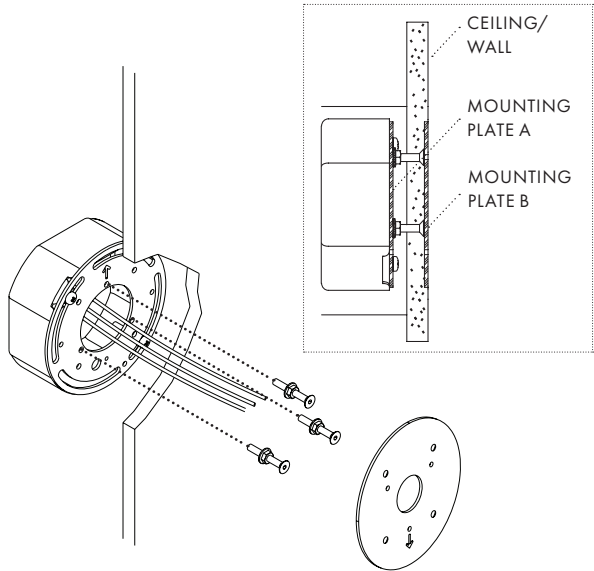
STEP 3

Set the position of mounting plate B.

Use the M4x35 screws with hex nuts to create a depth-stop for Plate B.

Adjust the hex nuts until plate B sits level and flush with the drywall surface.

Drywall thickness affects the final spacing between plate A and Plate B.

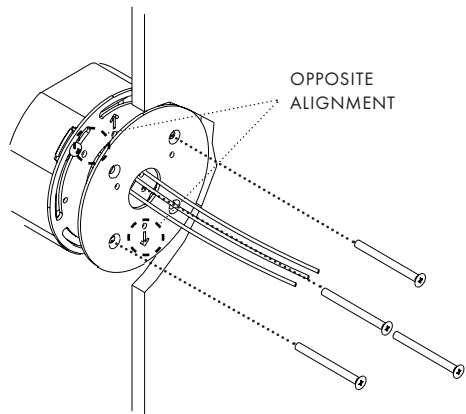


STEP 4

Attach mounting plate B to mounting plate A.

Orient the arrow on mounting plate B opposite to the position of the arrow on mounting plate A.

Use the remaining 4x(M4x35) machine screws to attach plate B.



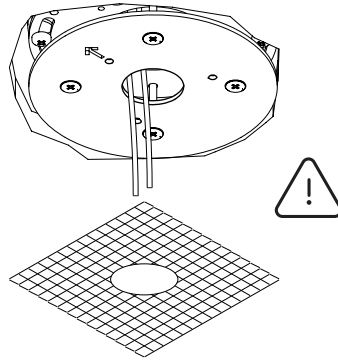
STEP 4

Conceal the mounting plates.

Apply mesh mud tape and mud, sand, and paint to match surrounding surface finish. For best results, use a drywall professional.

⚠ Caution!

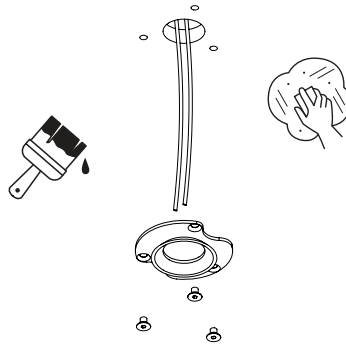
Three mounting holes, one power hole and the electrical wires must remain exposed to complete the installation.



STEP 5

Attach the mounting ring to mounting plate B (underneath the drywall).

Use the M4x10 machine screws.



STEP 7

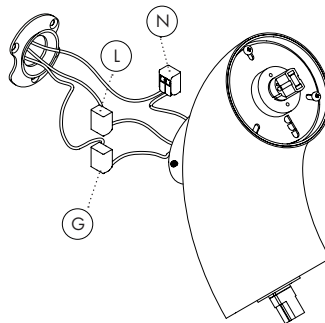
Connect input power to the luminaire. Connect ground.

Black wire = **Line** (L)

White wire = **Neutral** (N)

Green wire = **Ground** (G)

Push the electrical wires and connections into the junction box.

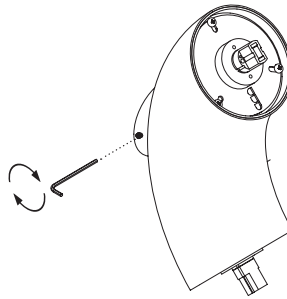


STEP 8

Attach the luminaire to the mounting ring.

Use the hex key to turn the set screws.

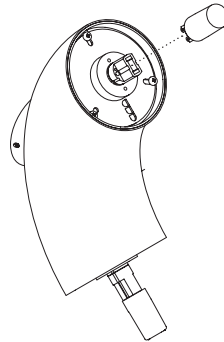
Thread the set screws clockwise until the luminaire is tight against the ceiling or wall surface.



STEP 9

Install G9 lamps.

A 'click' will indicate proper installation of the lamp into the socket.



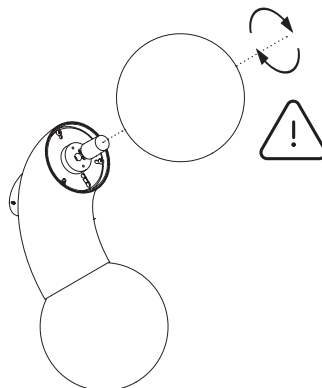
STEP 10

Attach the glass globes.

Thread the globe clockwise onto the globe holder.

⚠ Caution!

Take care not to over tighten the globes, doing so may crack the glass.



INSTALLATION — OPTION 2

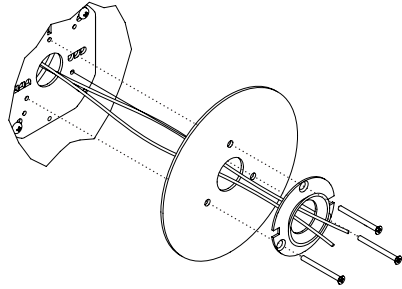
SURFACE MOUNT

The surface mount option mounts the luminaire above the wall surface. A decorative plate conceals the connection to the junction box.

STEP 3

Attach mounting ring to plate B. Cover the hole with the decorative coverplate.

Use 3x(M4x35) machine screws. Tighten the screws until the decorative coverplate is tight against the surface.



STEP 4

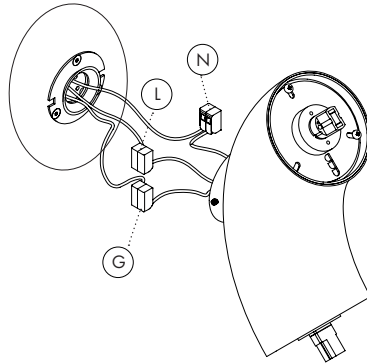
Connect input power to the luminaire.

Black wire = **Line** (L)

White wire = **Neutral** (N)

Green wire = **Ground** (G)

Push the electrical wires and connections into the junction box.

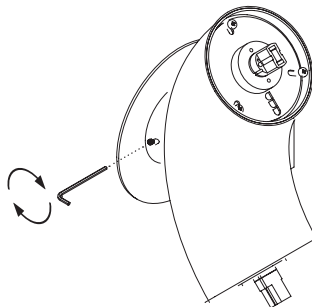


STEP 5

Attach the luminaire to the mounting ring.

Use the hex key to turn the set screws.

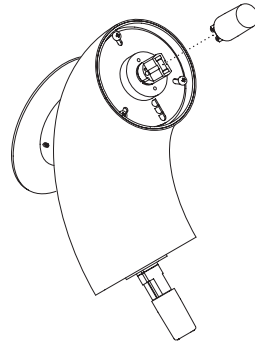
Thread the set screws clockwise until the luminaire is tight against the surface.



STEP 6

Install G9 lamps.

A 'click' will indicate proper installation of the lamp into the socket.



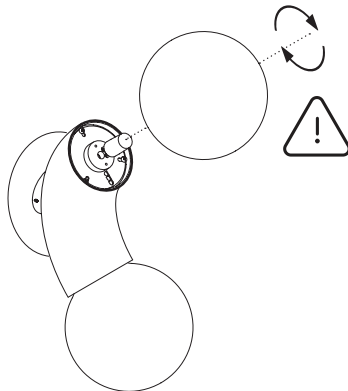
STEP 7

Attach the glass globes.

Thread the globe clockwise onto the globe holder.

⚠ Caution!

Take care not to over tighten the globes, doing so may crack the glass.





For support, please contact:

info@andlight.ca

+1 604 563 6938

ANDlight

1951 Franklin St,
Vancouver, BC
Canada V5L 0C7

andlight.ca