

# FLOS

F8001009 White

## Viscontea

Designed by Achille and Pier Giacomo Castiglioni, 1960



Halogen - 100W

Suspension lamp providing diffused light. White powder coated internal steel structure sprayed with a unique cocoon resin to create the diffuser which is then protected by a transparent sprayed on finish.

Are you a professional and your project needs consulting and support?

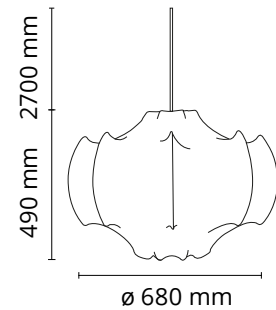
[BOOK AN APPOINTMENT](#)

### Main specifications

EAN	8059607024010
Mounting	Suspension
Environments	Indoor dry location
Light Source Type	Bulb
Lamp category	Halogen
Lamp holders	E27
Ilcos	HSGS
Number of heads	1
Power (W)	100

### Physical

Colour	White
Length (mm)	680
Cord length (mm)	2700
Canopy dimension (mm)	36
Canopy width (mm)	146
Net weight (kg)	1.75
Package height (mm)	715
Package width (mm)	520
Package length (mm)	715
Package volume (m3)	0.27
IP internal	20



### Download

[Mounting instructions](#) PDF

[Spare Parts](#) PDF

### Photometric Files

[LDT / IES](#) LDT

### Technical Drawings

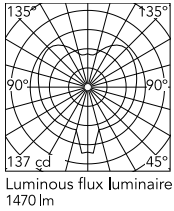
[2D](#) ZIP

[3D](#) ZIP



	IK	IP
	00	20

## Schematic light drawing



## Photometric

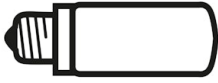
Light distribution

Asymmetric

## Electrical

Insulation class	I
Frequency (Hz)	50/60
Main voltage (Vac)	220-250
LED voltage Vf (Vdc)	null
Dimmable	Yes
Dimming interface	Remote Dimmable (Dimmer Not Included)
Batteries inside	No

## Bulbs



NOT INCLUDED

RF32288

LED Lamp E27 15W 2700K T38

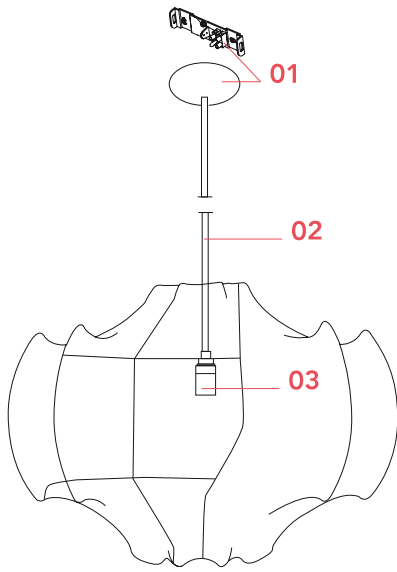


NOT INCLUDED

RF32289

LED Lamp E27 15W 3000K T38

## Spare Parts



- |     |                         |           |
|-----|-------------------------|-----------|
| 01. | White rose assembly     | RA3690209 |
| 02. | Wiring 2x0,75 3,2m      | RF32763   |
| 03. | Electrical assembly set | RF9800200 |

**DOWNLOAD**



RA3690209

White rose assembly



RF32763

Wiring 2x0,75 3,2m



RF9800200

Electrical assembly set