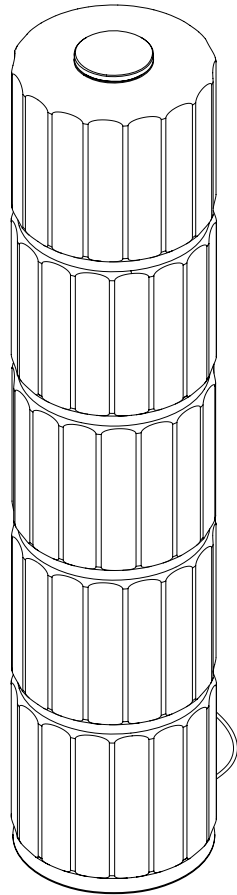




COLUMN SERIES

TABLE/FLOOR

DESIGNER
LUKAS PEET



INSTRUCTIONS



SCAN HERE

NORTH AMERICA + WORLD

a-n-d.com

INSTALLATION NOTES

The luminaire is powered by a plug in LED driver.

For questions regarding installation, please email **info@n-d.com**



CARE INSTRUCTIONS

Always wear clean gloves when handling the luminaire. Clean finished surfaces with a soft, lint-free cloth. Clean acrylic diffuser with a soft lint-free cloth and soap and water if necessary.

For replacement parts contact A-N-D directly.



WARNING

The luminaire must be installed by a qualified electrician in a dry indoor location.

Failure to meet any or all of these criteria will not only damage the luminaire, but will void both then warranty and all of its certifications.

COLUMN TABLE OPTIONS

TABLE 175-1

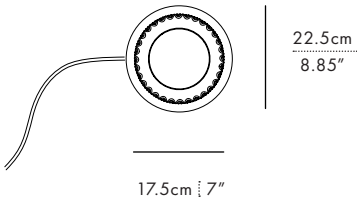


TABLE 175-2

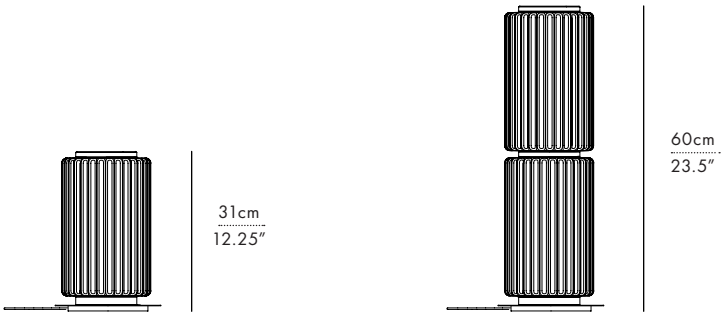


TABLE 300-1

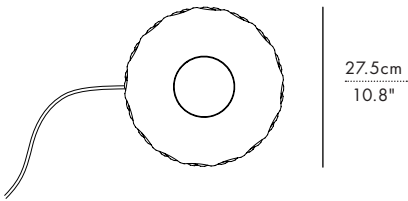
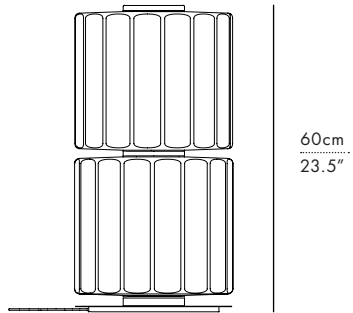
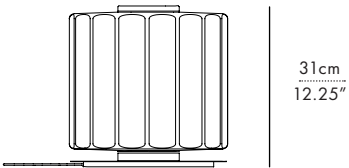


TABLE 300-2

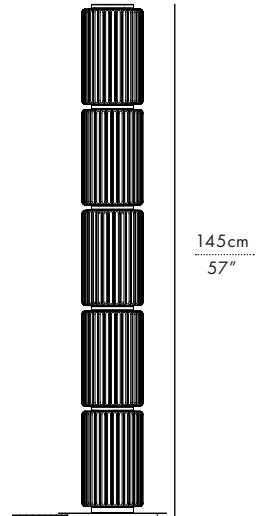
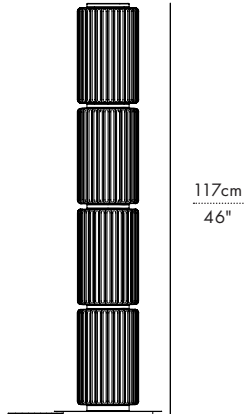
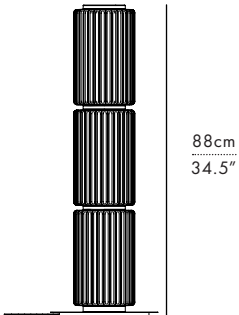
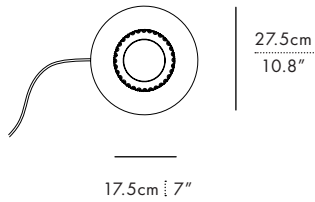


COLUMN FLOOR OPTIONS

FLOOR 175-3

FLOOR 175-4

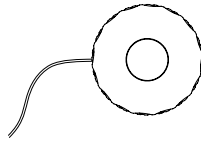
FLOOR 175-5



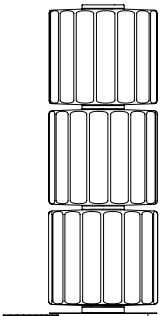
FLOOR 300-3

FLOOR 300-4

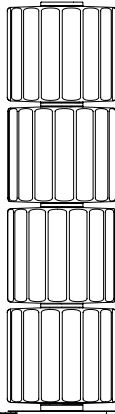
FLOOR 300-5



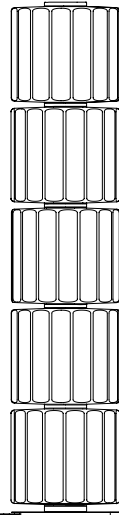
27.5cm
10.8"



88cm
34.5"



117cm
46"

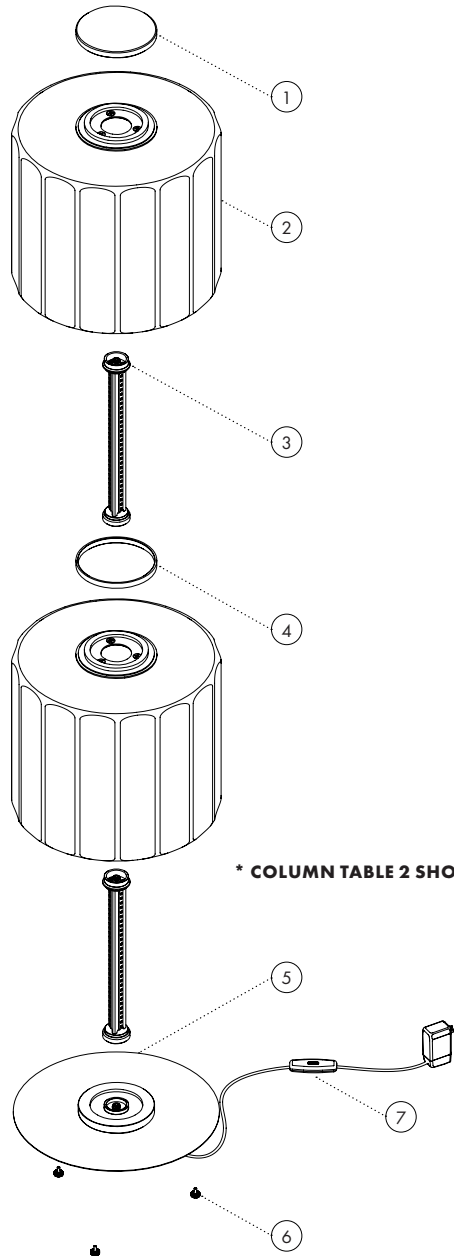


145cm
57"

COMPONENTS

- ① ENDCAP
- ② GLASS ASSEMBLY (1-5)
- ③ LED MODULE (1-5)
- ④ COLLAR (1-4)
- ⑤ BASE ASSEMBLY
- ⑥ ADJUSTABLE FEET*
- ⑦ POWER CORD + PLUG IN DRIVER + DIMMER

*FLOOR VERSION ONLY



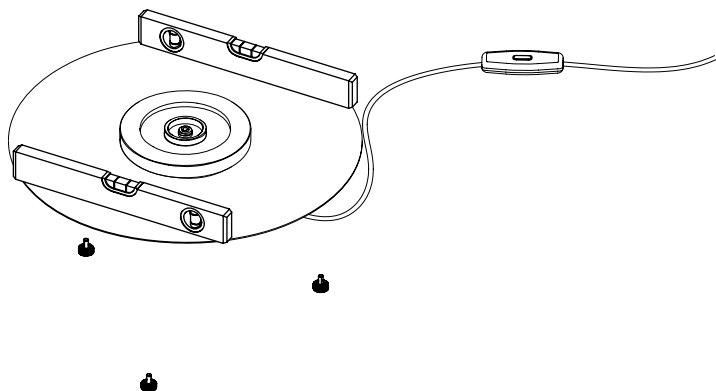
PREPARATION



FLOOR VERSION ONLY

Using a level, check that the base assembly is levelled to the ground.

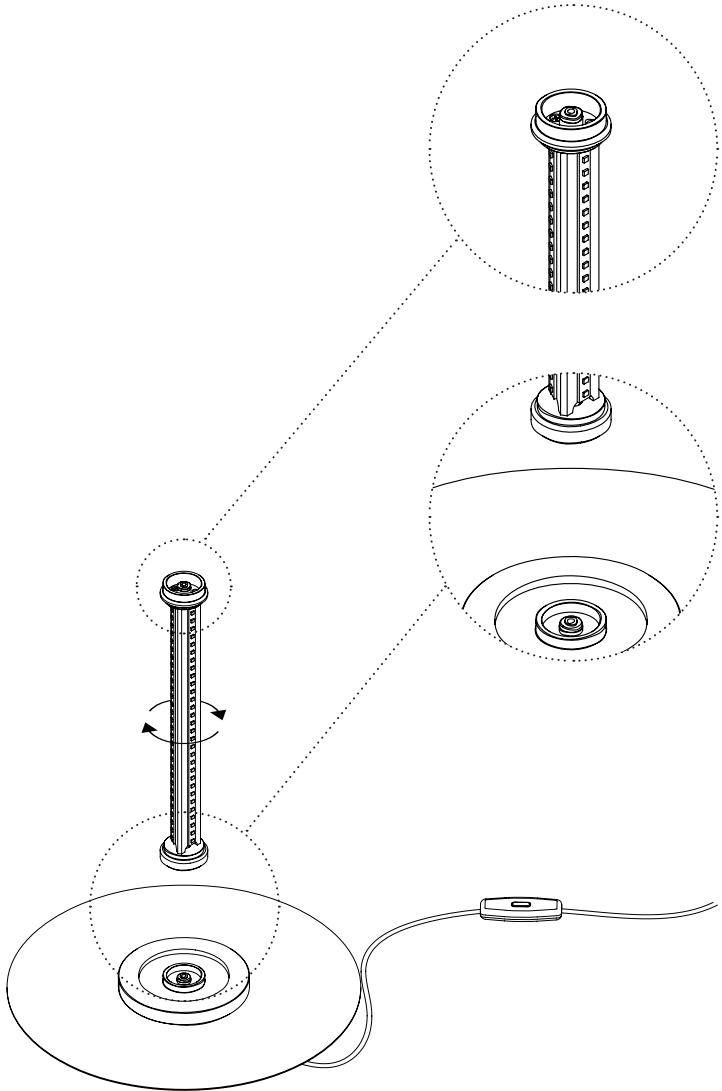
If necessary, install the provided adjustable feet to level the base.



INSTALLATION

STEP 1

Thread the first LED module on the base assembly.

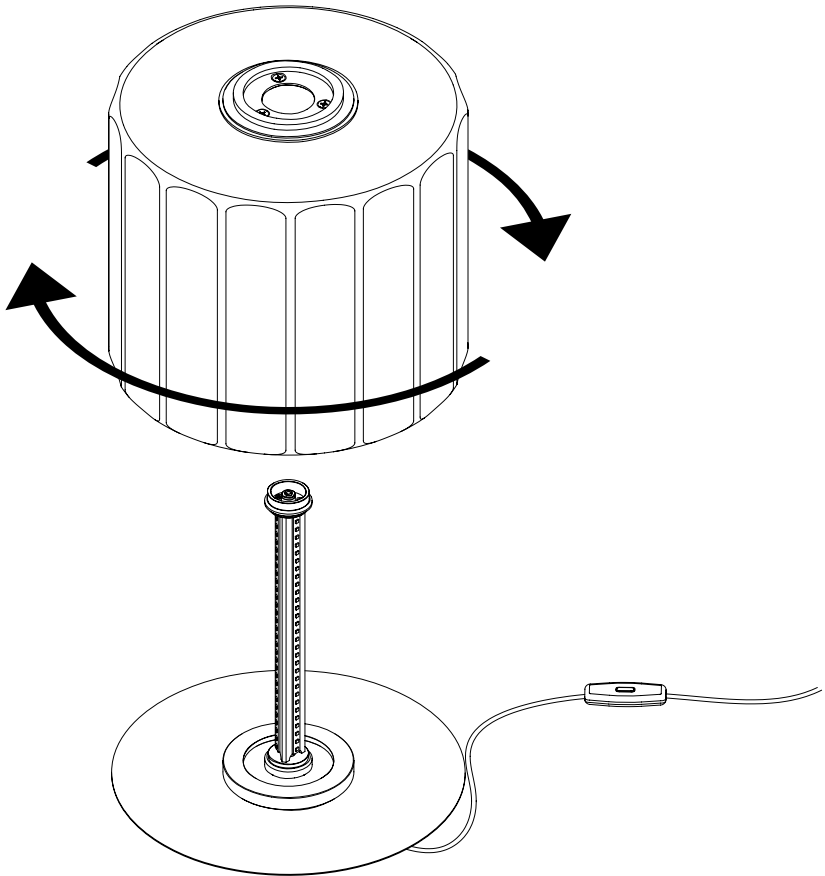


STEP 2

Place the first glass over the LED module and secure it to the base assembly by threading it clockwise.

Attention!

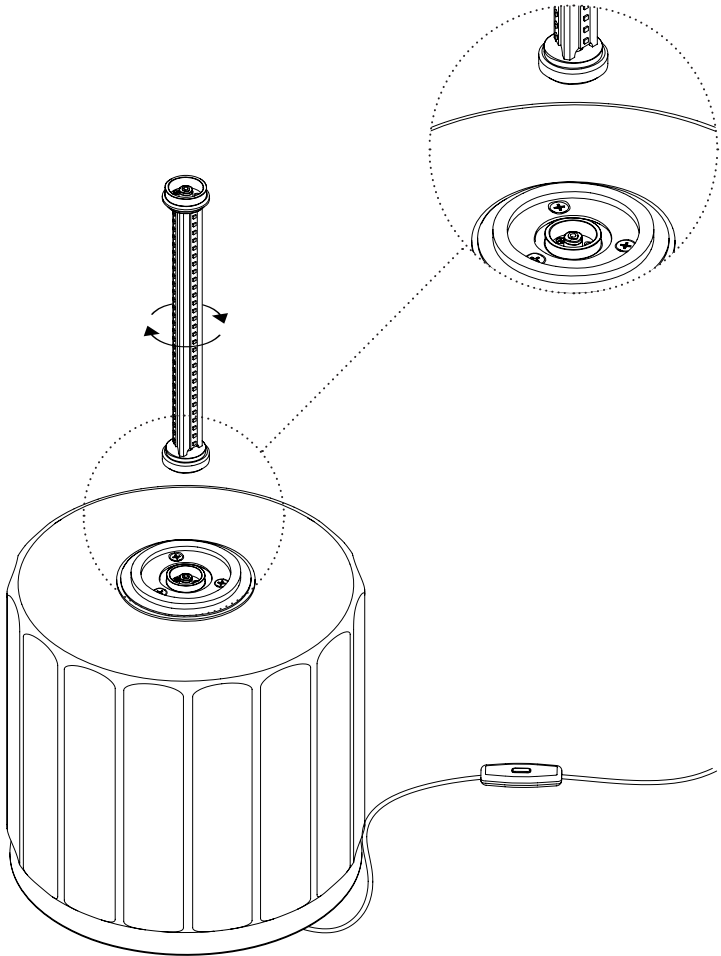
Remove rings/jewelry from fingers to prevent damage during this step.



INSTALLATION

STEP 3

Thread the second LED module onto the first LED module.



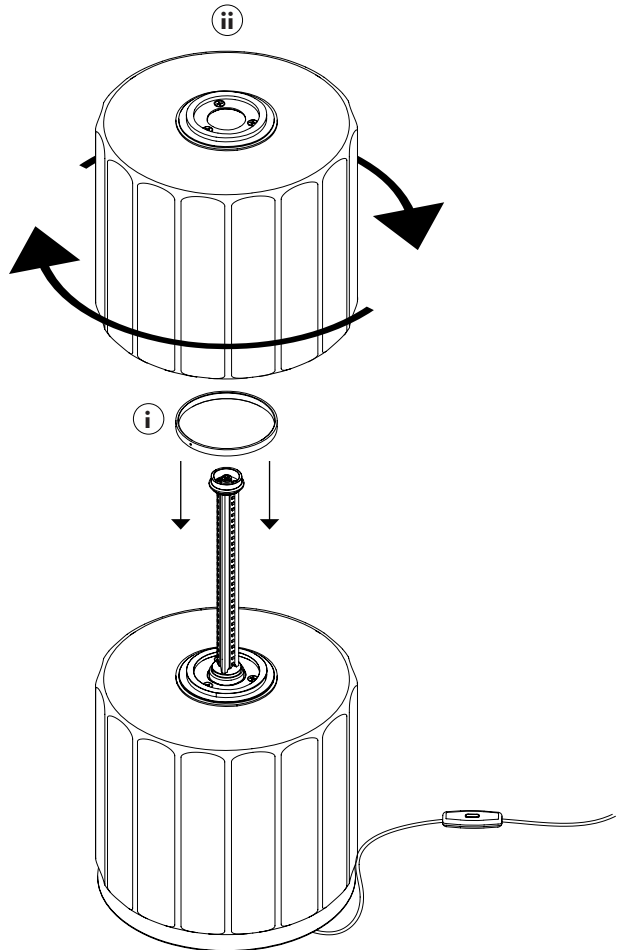
STEP 4

i) Place the collar in the centre of the first LED module.

ii) Thread the second glass assembly onto the first one.

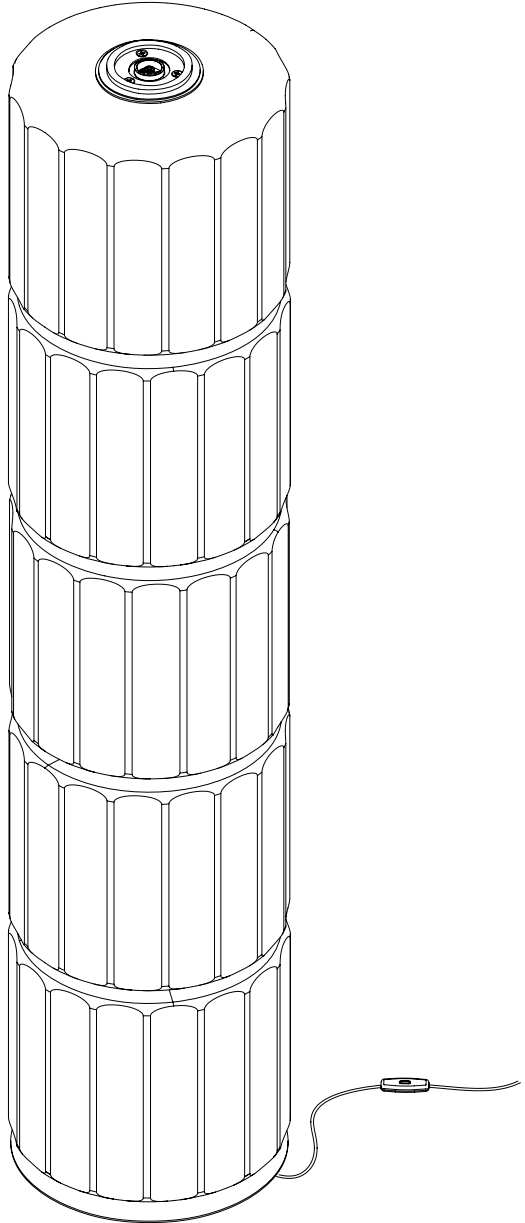
⚠ Caution!

Ensure the collar is centered while tightening the glass. To avoid damage, do not overtighten glass.



INSTALLATION

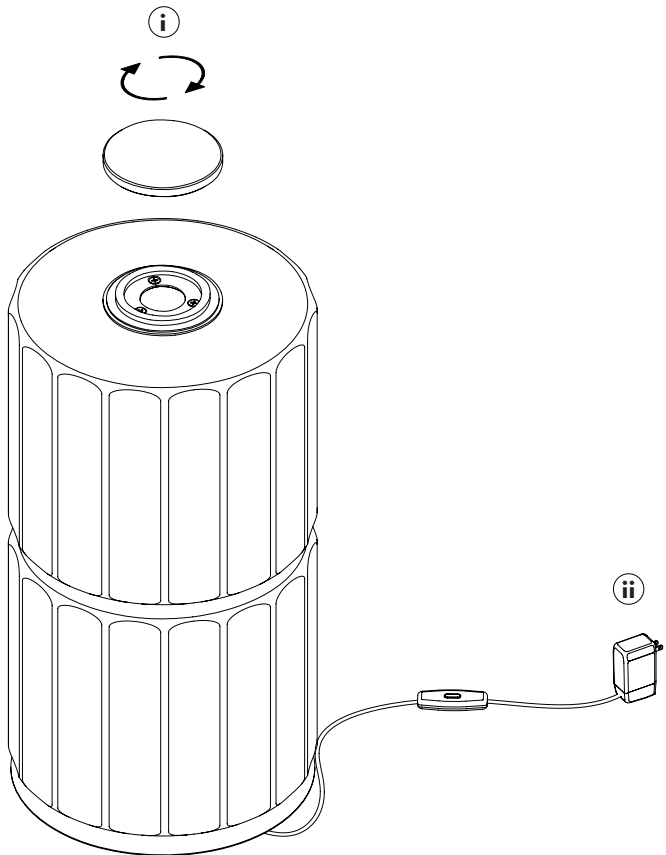
Repeat **STEP 3** and **STEP 4** for all/any remaining glass assemblies.



STEP 6

- i) Thread the endcap onto the top glass assembly.

- ii) Plug in the Column Table/Floor.
Press and hold the dimmer switch to reach the desired light output.





For support, please contact:

info@n-d.com

+1 604 563 6938

A-N-D

1951 Franklin St,
Vancouver, BC
Canada V5L 0C7

n-d.com