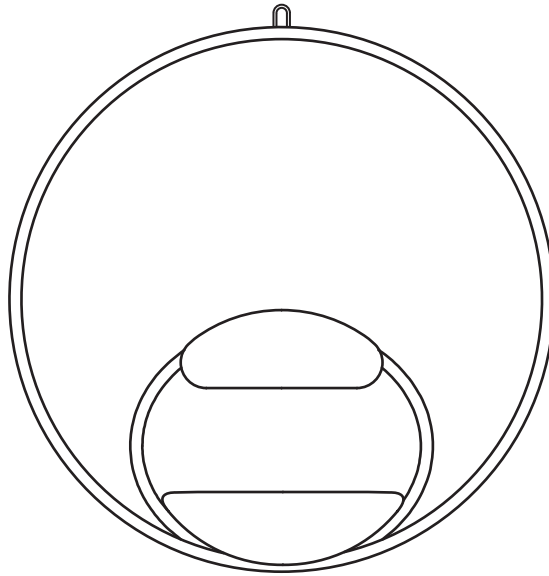


# LEE BROOM

## HOOP HANGING CHAIR

### INSTALLATION INSTRUCTIONS

BELOW WE HAVE SUMMARISED ADVISORY  
INSTALLATION GUIDELINES FOR YOUR CONVENIENCE.



#### ATTENTION! BEFORE YOU START

---

- This product is for interior use only and should be installed in a dry environment only.

#### CARE AND CLEANING

---

- Only clean the hoop hanging chair by hand with a soft non-abrasive cloth.
- Do not use any products containing bleach on the upholstery. Vacuum weekly, ideally with the vacuum on half speed.
- Upholstery in commercial areas must be cleaned by professionals 2-3 times a year.
- In private, upholstery needs less frequent cleaning. Should any stains occur, advice from a professional cleaner is recommended.

For more information please contact:

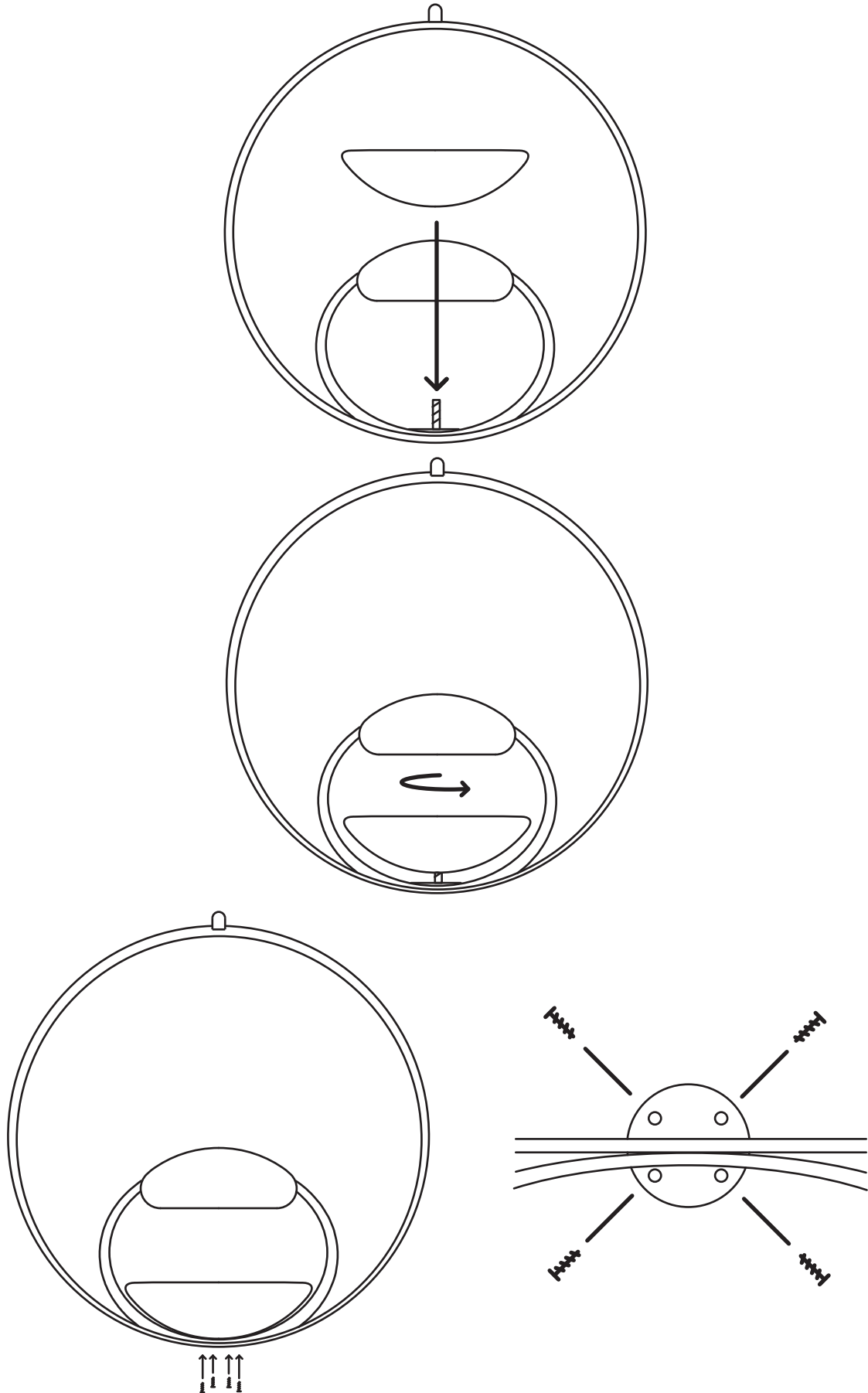
US & Canada Inquiries: +1 212 804 8477 - 34 Greene Street, New York, NY 10013 - [sales@leebroom.com](mailto:sales@leebroom.com)

UK & Global Inquiries: +44 207 820 0742 - 95 Rivington Street, London, EC2A 3AY - [info@leebroom.com](mailto:info@leebroom.com)

[WWW.LEEBROOM.COM](http://WWW.LEEBROOM.COM)



FITTING THE SEAT



## INSTALLATION INSTRUCTIONS

2

## CEILING TYPES APPROPRIATE FOR INSTALLATION

For appropriate installation we suggest using a ceiling mounted hook for the Hanging Hoop Chair which will require one of the following ceilings:

- a) Horizontal load bearing beam (DIAG A)
- b) Concrete ceiling
- c) Horizontal load bearing girder
- d) Horizontal load bearing joist

**IMPORTANT:**

A regular plasterboard ceiling will not tolerate the load bearing weight of the chair and is not considered suitable.

We advise a competent builder or contractor to assess the specific nature of your ceiling so that they are able to appropriately advise on installation location/ viability upon inspection.

It is the purchasers responsibility to ensure the chair is adequately fixed to a secure structure

## LOAD BEARING FIXINGS

The chain for our hanging hoop chair is supplied with an advisory load bearing weight of 150kg/330lbs. To proceed with installation using a ceiling mounted hook we advise you select this in the finish and specification specific for your requirements to include the required load bearing weight (for example: 150kg/330lbs).

## DIAG A



POSITIONING

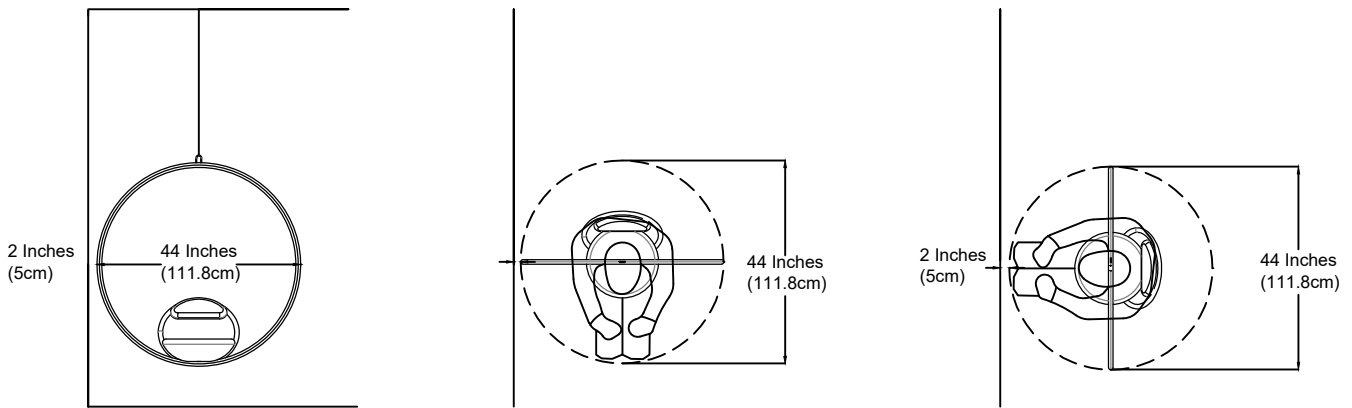
3

MEASUREMENTS

- The diameter of the hanging hoop chair is 44.3”(112.5cm)
- The radius from the centre of the chair is 22.15”(56.3cm)

It is possible to install and sit in the chair with very limited movement. In this circumstance for an average height person sitting within the radius of the chair the fixing point needs to be 22.15”(56.3cm) + 2”(5cm) = 24.15”(61.3cm) from each nearby wall (see Diag. B)

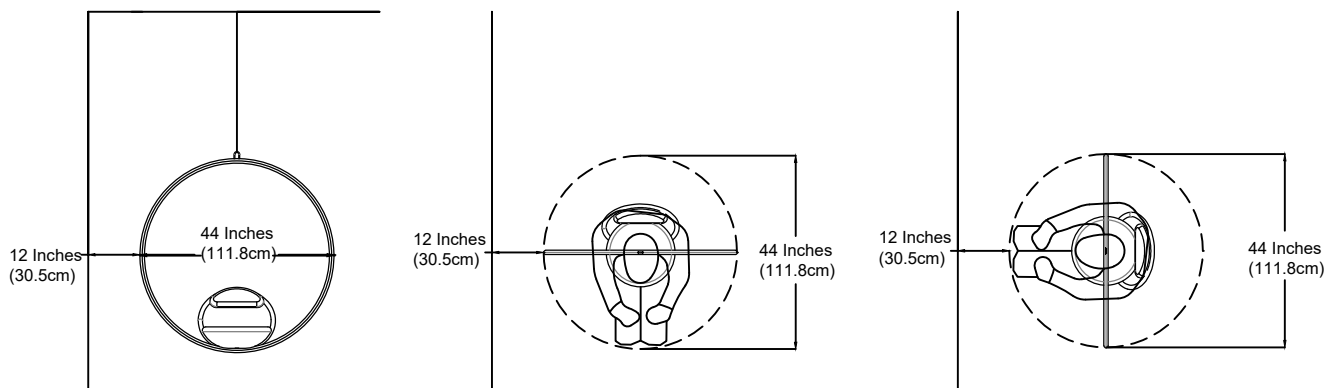
DIAG B



For more comfortable seating we recommend increasing the radius, for example an additional 12”(30.5cm) to the radius in this circumstance the fixing point needs to be 22.15”(56.3cm) + 12”(30.5cm) = 34.15”(86.7cm) from each nearby wall (see Diag. C). You could increase the radius further if you wish to meet your specific needs.

Guidance notes above are supplied for example only; this guidance is not specific to an individual’s specific installation conditions. Installation and Location and appropriate and adequate fixtures conditions must be approved and are at the discretion of a competent builder.

DIAG C



# LEE BROOM

## LONDON

Electra House, 95 Rivington Street, London, EC2A 3AY + 44 (0)20 7820 0742

## NEW YORK

34 Greene Street, New York, NY 10013 +1 212 804 8477

## HEAD OFFICE

Electra House, 93 Rivington Street, London, EC2A 3AY +44 (0)20 7820 0742

## FACTORY

Unit 8, Bow Exchange, 5 Yeo Street, London, E3 3QP +44 (0)20 7820 0742

## CONTACT

[info@leebroom.com](mailto:info@leebroom.com)

[WWW.LEEBROOM.COM](http://WWW.LEEBROOM.COM)

