

T.O TABLE

DESCRIPTION

T.O celebrates and reinforces the importance of light as a pillar of our daily life. A monolithic column stands to support a horizontal and vertical line of light to provide precise light control in all directions. T.O embodies a harmonious dialogue between solidity and lightness offering unlimited contexts for use in residential and workplace environments, all within a minimal footprint. T.O features a fully dimmable LED light source with tactile push switch appropriately positioned at the end of arm. Both table and floor versions feature a magnetically attached light arm over a marble cylinder base while the light wand can be rotated up to 360 degrees to provide both direct and indirect light for task and ambient lighting needs alike. T.O is offered in 2 matte base finishes in Marquina black and Carrara white while the light arm is elegantly contrasted in polished surfaces in brass and chrome. T.O is a seamless integration of functional lighting and sculpture.

FIXTURE TYPE

Table

LIGHT SOURCE

High output LED array

PRODUCT CODES

T.O Table (Black Marble/Brass)	TO TBL BLK/BRA
T.O Table (Black Marble/Chrome)	TO TBL BLK/CRM
T.O Table (White Marble/Brass)	TO TBL WHT/BRA
T.O Table (White Marble/Chrome)	TO TBL WHT/CRM

LIGHT CONTROL

Mechanical push button

Full range dimming (100-10%)

2-stage dimming (100/40%)

FEATURES

360° arm rotation

Advanced LED array eliminates multiple shadows

SPECIFICATIONS

Voltage : 120-240V 50/60Hz

Power Consumption : 4.5W

Color Temperature : 3000K

Luminosity : 300 Lumens

Luminaire efficacy : 67 Lumens/Watt

Color Rendition Index: 90 CRI

Cable length: 6' (1.8m)

CERTIFICATIONS



PACKAGING WEIGHT AND DIMENSIONS

T.O Table:	8LBS	6" X 6" X 15.75"
	3.6KG	15cm X 15cm X 40cm

NOTES

Custom requests can be considered on volume orders.



FINISHES

BASE



MARQUINA
BLACK



CARRARA
WHITE

ARM



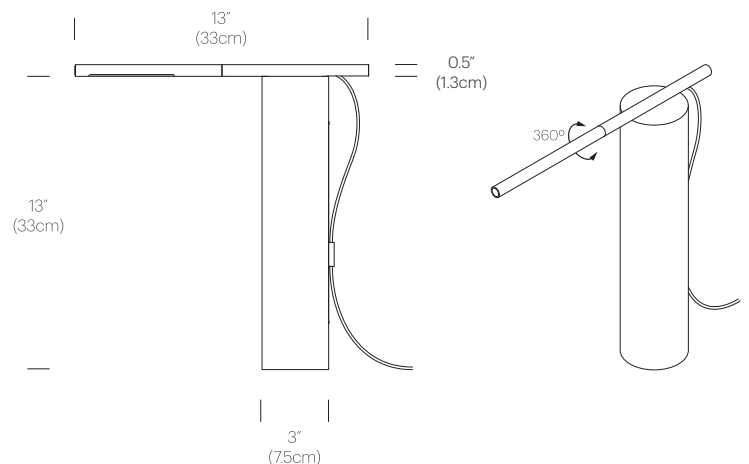
BRASS



CHROME

DIMENSIONS

T.O TABLE



T.O FLOOR

DESCRIPTION

T.O celebrates and reinforces the importance of light as a pillar of our daily life. A monolithic column stands to support a horizontal and vertical line of light to provide precise light control in all directions. T.O embodies a harmonious dialogue between solidity and lightness offering unlimited contexts for use in residential and workplace environments, all within a minimal footprint. T.O features a fully dimmable LED light source with tactile push switch appropriately positioned at the end of arm. Both table and floor versions feature a magnetically attached light arm over a marble cylinder base while the light wand can be rotated up to 360 degrees to provide both direct and indirect light for task and ambient lighting needs alike. T.O is offered in 2 matte base finishes in Marquina black and Carrara white while the light arm is elegantly contrasted in polished surfaces in brass and chrome. T.O is a seamless integration of functional lighting and sculpture.

FIXTURE TYPE

Floor

LIGHT SOURCE

High output LED array

PRODUCT CODES

T.O Floor (Black Marble/Brass)	TO FLR BLK/BRA
T.O Floor (Black Marble/Chrome)	TO FLR BLK/CRM
T.O Floor (White Marble/Brass)	TO FLR WHT/BRA
T.O Floor (White Marble/Chrome)	TO FLR WHT/CRM

LIGHT CONTROL

Mechanical push button
Full range dimming (100-10%)
2-stage dimming (100/40%)

FEATURES

360° arm rotation
Advanced LED array eliminates multiple shadows

SPECIFICATIONS

Voltage : 120-240V 50/60Hz
Power Consumption : 10W
Color Temperature : 3000K
Luminosity : 700 Lumens
Luminaire efficacy : 70 Lumens/Watt
Color Rendition Index: 90 CRI
Cable length: 6' (1.8m)

CERTIFICATIONS



PACKAGING WEIGHT AND DIMENSIONS

T.O Floor:	8LBS	6" X 6" X 15.75"
(Base)	3.6KG	15cm X 15cm X 40cm
T.O Floor:	2LBS	3" X 64"
(Lamp Arm)	.9KG	7.62cm X 162.5cm

NOTES

Custom requests can be considered on volume orders.

Pablo



FINISHES

BASE



MARQUINA
BLACK



CARRARA
WHITE

ARM



BRASS



CHROME

DIMENSIONS

T.O FLOOR

