



## COMPONENTS OF PACKAGING:

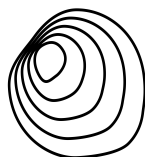
the light (lower section with power cable, Ehmann dimmer, reflector, upper glass section), light source, cotton gloves, installation manual

## WARNING:

**The manufacturer assumes no liability for damage resulting from incorrect assembly. When unpacking the light, do so with regard for its material composition - the main components are made of glass.**

**Wear the cotton gloves included with the light when unpacking and assembling it.**

**Installation time: 10 minutes/1 person**



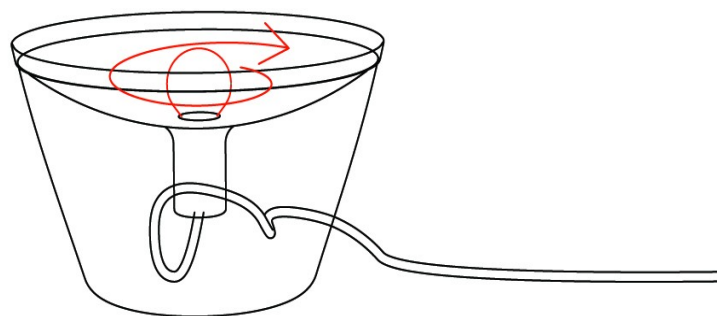
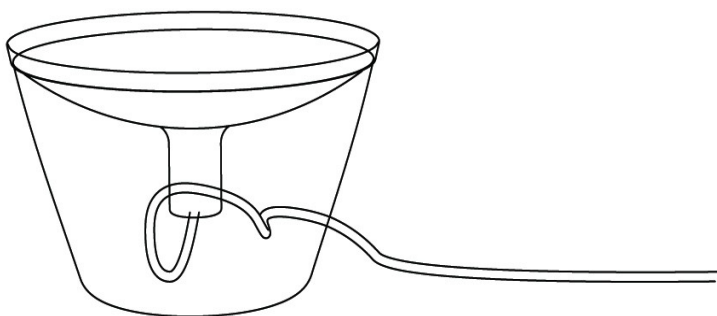
BROKIS®

BROKIS S.R.O.  
ŠPANIELOVA 1315/25  
163 00 PRAHA 6 - ŘEPY  
CZECH REPUBLIC

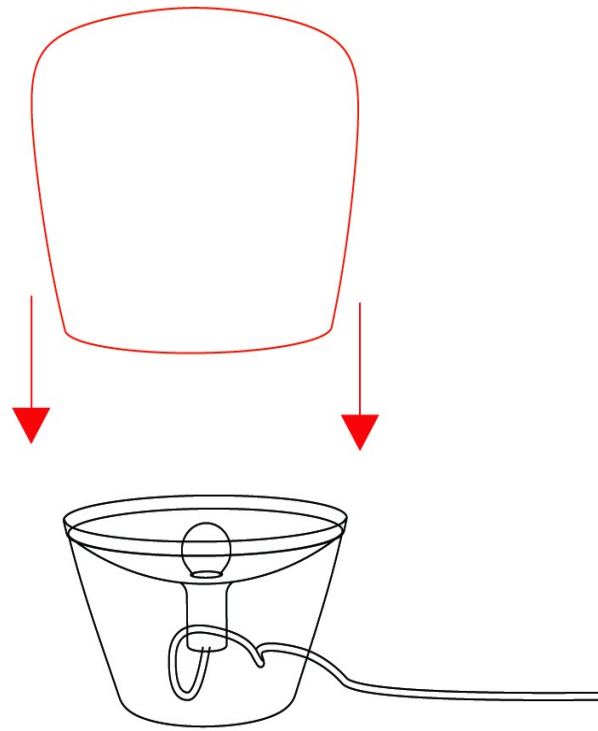
ORG. ID 64940799  
VAT ID CZ64940799  
C 42174 MĚSTSKÝ SOUD  
V PRAZE

TEL +420 567 211 517  
TECHNICAL@BROKIS.CZ  
INFO@BROKIS.CZ  
WWW.BROKIS.CZ

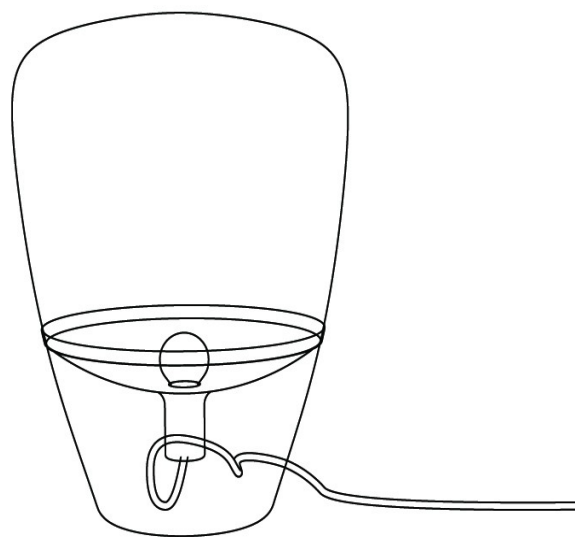
1.



2.



3.



# INSTALLATION MANUAL

## BALLOONS PC858

Floor light



The light can be cleaned using common cleaning agents. Never use solvents or abrasives (scouring powder).

**PRIOR TO SHIPPING, THE FUNCTIONALITY OF EACH LIGHT AND ITS COMPONENTS IS THOROUGHLY TESTED. THE MANUFACTURER ASSUMES NO LIABILITY FOR THE MISHANDLING OF PRODUCTS.**



BROKIS®

BROKIS S.R.O.  
ŠPANIĚLOVA 1315/25  
163 00 PRAHA 6 - ŘEPY  
CZECH REPUBLIC

ORG. ID 64940799  
VAT ID CZ64940799  
C 42174 MĚSTSKÝ SOUD  
V PRAZE

TEL +420 567 211 517  
TECHNICAL@BROKIS.CZ  
INFO@BROKIS.CZ  
WWW.BROKIS.CZ