



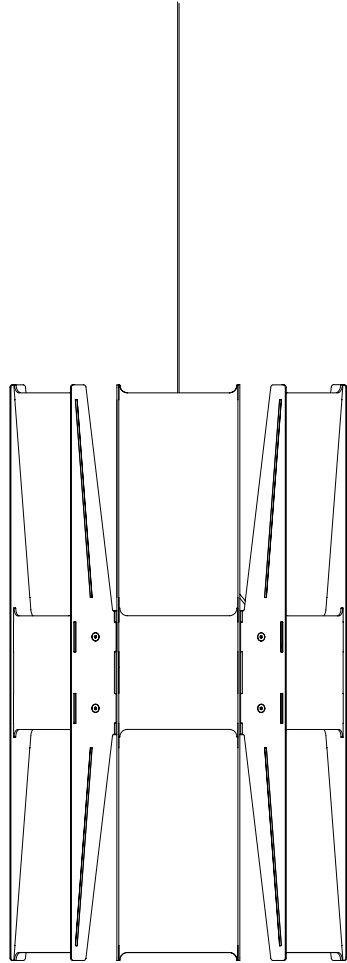
VECTOR SERIES PENDANT

DESIGNER
LUKAS PEET

INSTRUCTIONS



SCAN HERE



NORTH AMERICA



a-n-d.com

INSTALLATION NOTES

A constant voltage LED driver is required to operate the luminaire. The LED driver varies depending on input voltage and dimming requirements.

For questions regarding installation, please email info@n-d.com



CARE INSTRUCTIONS

Always wear clean gloves when handling the luminaire. Clean polished surfaces with a soft, lint-free cloth. Clean acrylic diffuser with a soft lint-free cloth or an unscented magic eraser pad.

For replacement parts, contact A-N-D directly.



WARNING

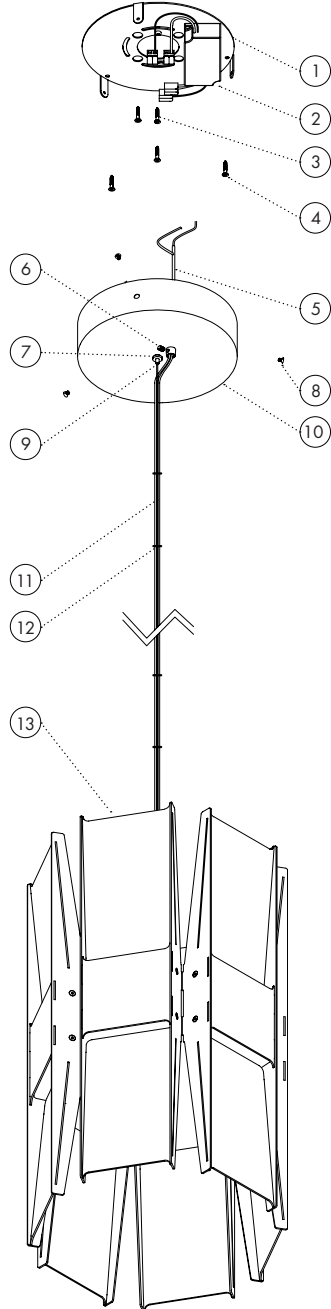
The luminaire must be installed by a qualified electrician in a dry indoor location.

Failure to meet any or all of these criteria will not only damage the luminaire, but will void both the warranty and all of its certifications.

COMPONENTS



- ① BACKPLATE
- ② DRIVER
- ③ #8-32 SCREW (2)
- ④ #8 SCREW (3)
- ⑤ COAXIAL CABLE
- ⑥ PLASTIC SET SCREW
- ⑦ STRAIN RELIEF
- ⑧ CANOPY SCREW (3)
- ⑨ CABLE GRIPPER
- ⑩ CANOPY
- ⑪ AIRCRAFT CABLE
- ⑫ ORING (4)
- ⑬ LUMINARE BODY



*PENDANT 6 MODEL SHOWN

LED DRIVER OPTIONS

The Vector Pendant LED driver varies depending on dimming requirements and input voltage.

Use the ordering code to determine the selected driver:

ie. VEC-P-BS-27-UNV-120/277

-----INPUT VOLTAGE

PHASE CUT DIMMING (PC)

LD040D

INPUT: 120V

OUTPUT: 24V, 40W

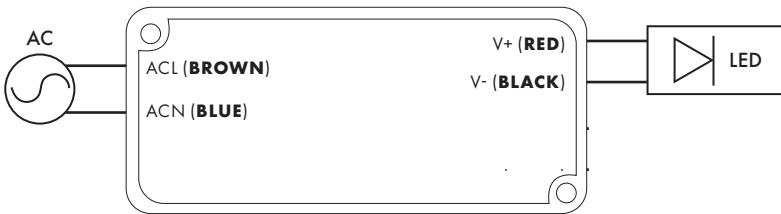
L x W x H: 170 x 44 x 32

LD024D

INPUT: 120V

OUTPUT: 24V, 24W

L x W x H: 88 x 41 x 31



0-10 + PWM DIMMING (010)

LD022H

INPUT: 110-277VAC

OUTPUT: 24VDC, 22W

L x W x H: 88 x 41 x 31

PWM-40-24

INPUT: 110-277VAC

OUTPUT: 24VDC, 40W

L x W x H: 150 x 53 x 35

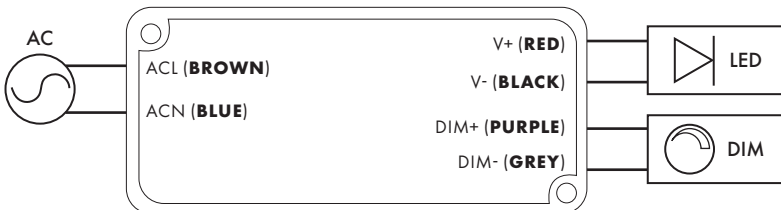
DALI (DAL)

EUCHIPS EUP40D 24V

INPUT: 100-240V

OUTPUT: 24V, 40W

L x W x H: 140 x 35 x 80



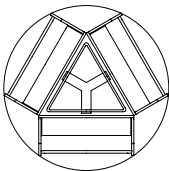
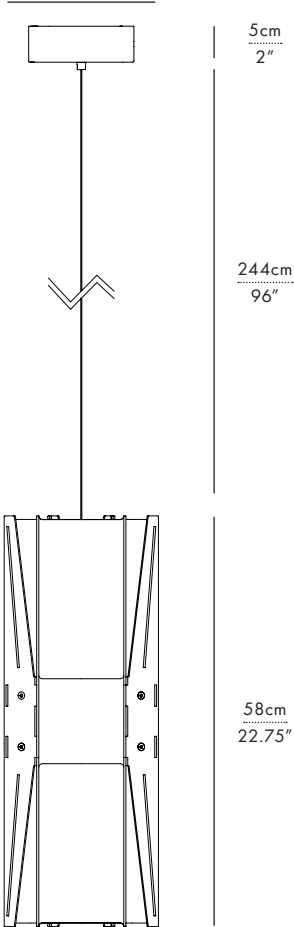
VECTOR OPTIONS



VECTOR 3

TOTAL WEIGHT ~22lbs / ~10 kg

Ø 11.4cm | 4.5"

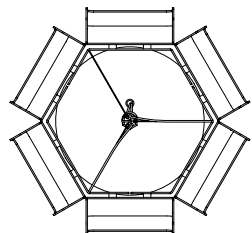
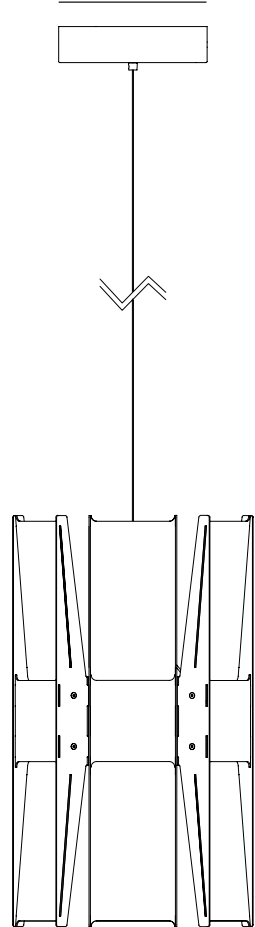


22cm
8.65"

VECTOR 6

TOTAL WEIGHT ~45lbs / ~20.5 kg

Ø 20.3cm | 8"

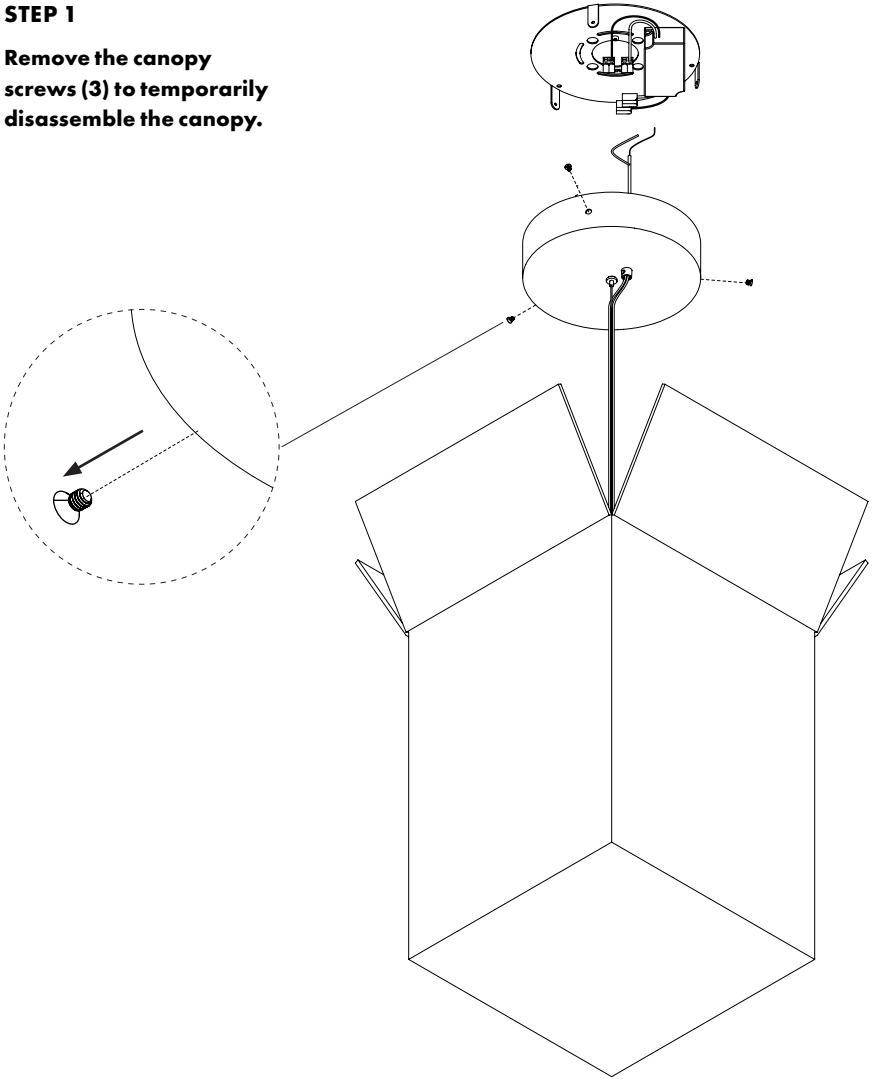


58cm
22.75"

INSTALLATION

STEP 1

Remove the canopy screws (3) to temporarily disassemble the canopy.



STEP 2

Connect input power to the primary circuit on the LED driver. Connect the ground.

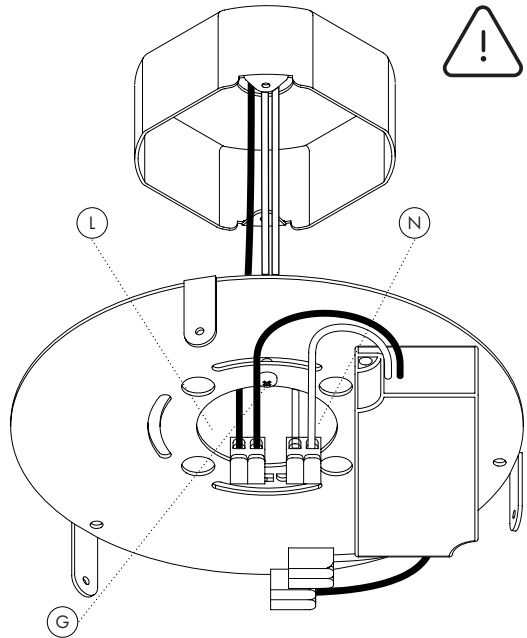
Black/brown wire = **Line** (L)

White/blue wire = **Neutral** (N)

Green screw = **Ground** (G)

⚠ Caution!

Ensure that the power is disconnected at the breaker.



INSTALLATION

STEP 3

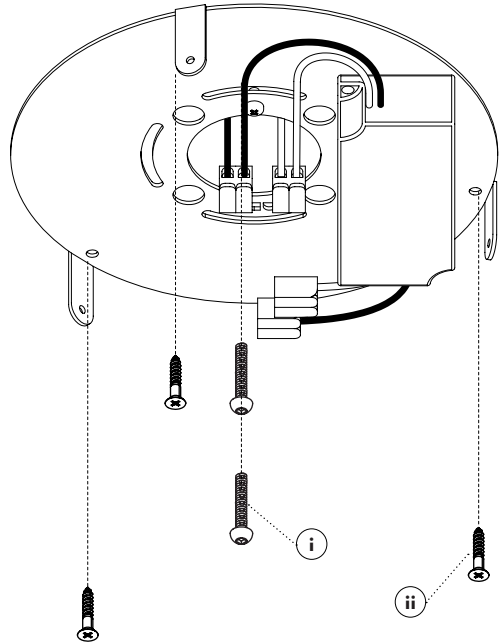
i) Attach the backplate to the junction box.

Use the provided #8-32 screws.

ii) If necessary, use the additional mounting points to secure the canopy.

Specific substrate anchor, if needed, must be provided by installer.

Refers to **Page 5** for the fixture weight.



STEP 4

i) Determine the drop height of the fixture and trim excess cable.

Coaxial cable length:

Leave an extra 15cm/ 6" for final height adjustments.

ii) Secure the coaxial cable cord in position.

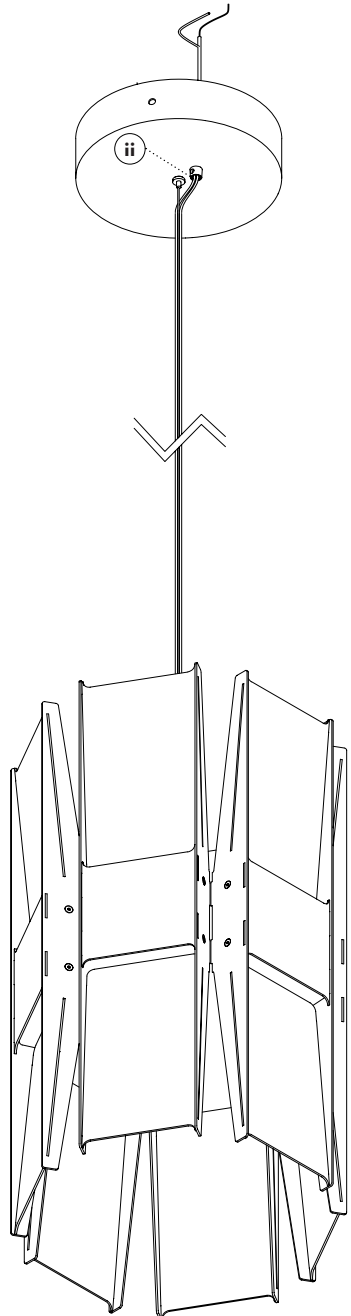
Turn the screw on the strain relief until it grips the coaxial cable.

EXTRA

15cm
.....
6"

i
DROP
HEIGHT
244cm
.....
96"

58cm
.....
22.75"



INSTALLATION

STEP 5

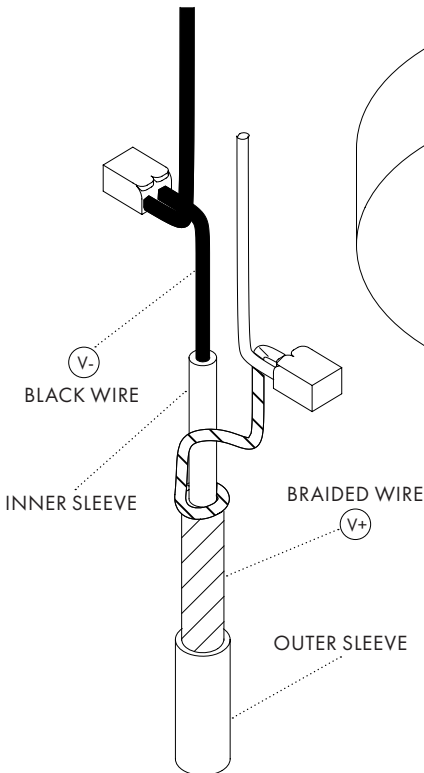
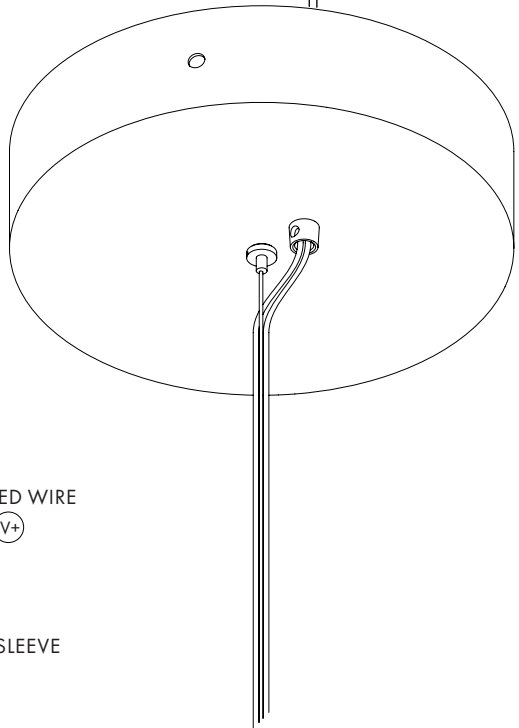
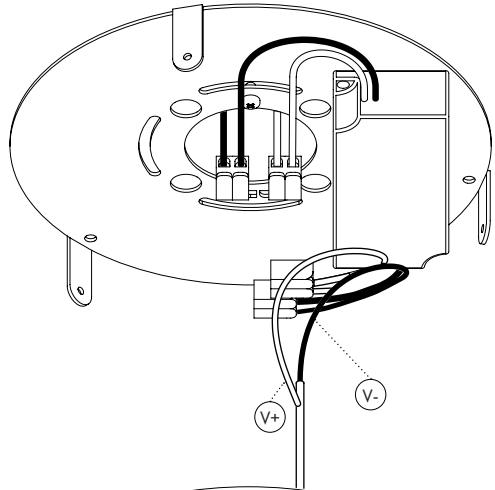
While supporting the luminaire, connect the luminaire to the secondary circuit on the LED drivers with provided connectors.

Braided wire = **Positive** (V+)

Black wire = **Negative** (V-)

Purple wire = **DIM +** (optional)

Pink wire = **DIM -** (optional)

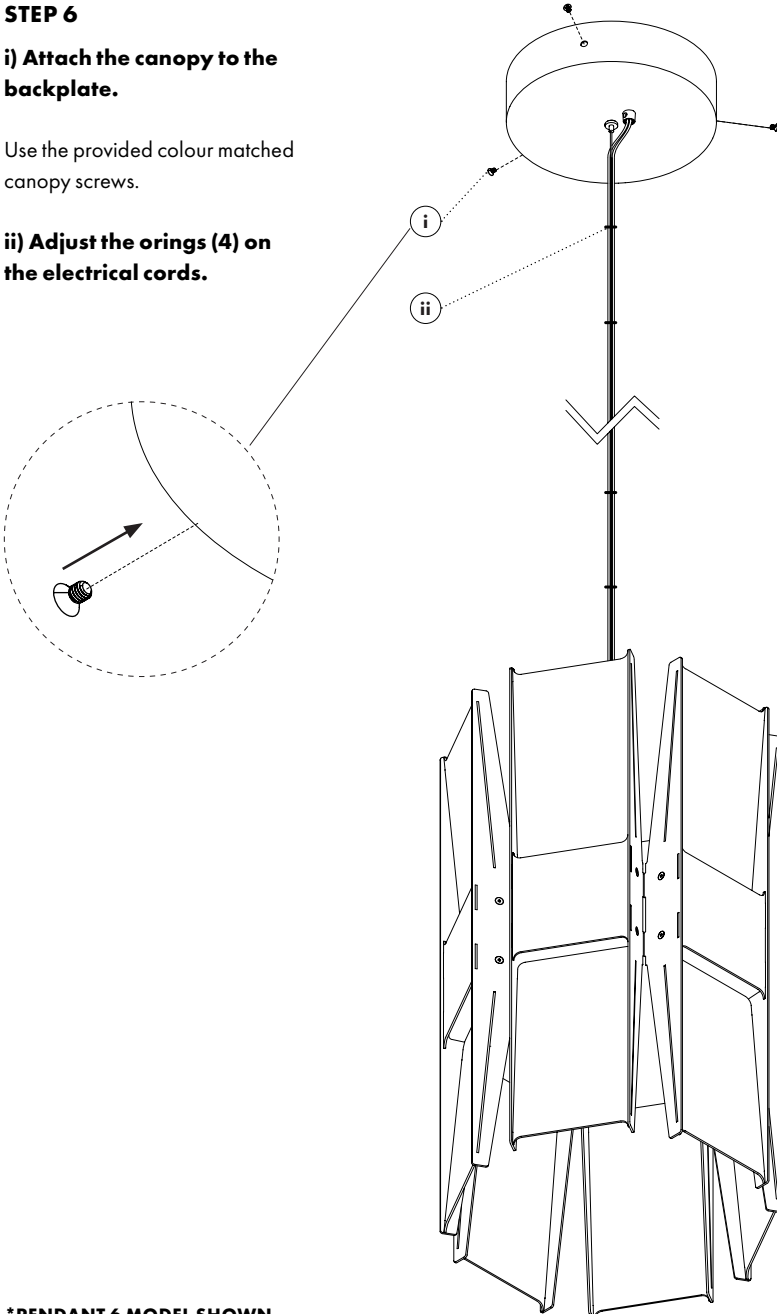


STEP 6

i) Attach the canopy to the backplate.

Use the provided colour matched canopy screws.

ii) Adjust the orings (4) on the electrical cords.





For support, please contact:

info@n-d.com

+1 604 563 6938

A-N-D

1951 Franklin St,
Vancouver, BC
Canada V5L 0C7

n-d.com