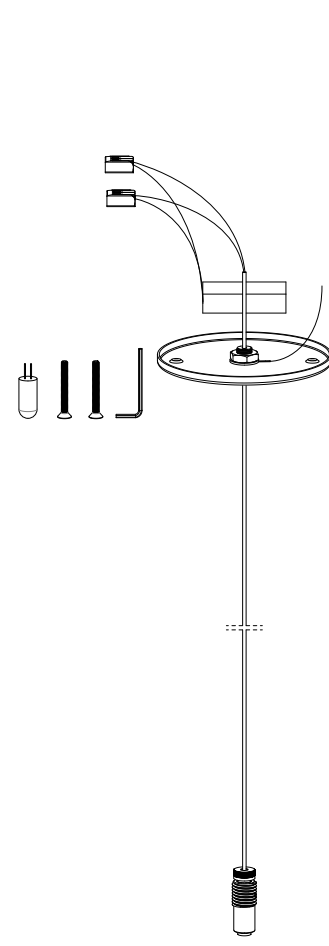
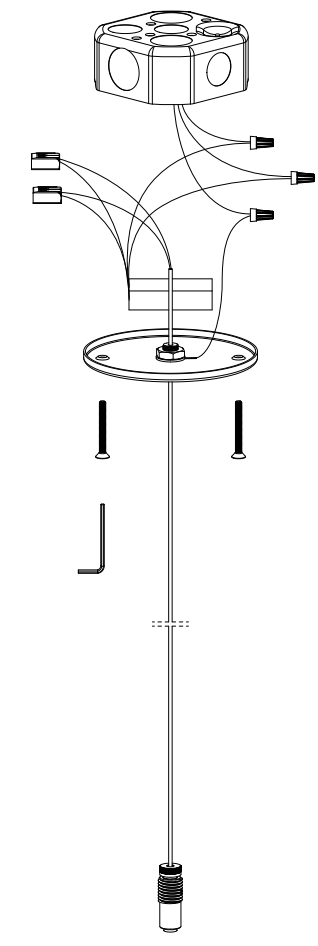


aa.



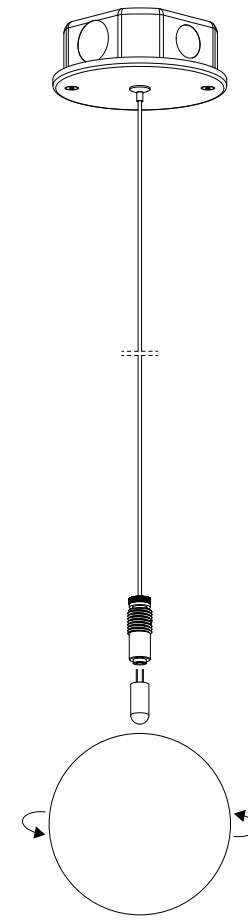
1. Disconnect power.



2. Connect live, neutral, and ground.

3. Screw canopy plate to junction box.

lookbook,
instructions.

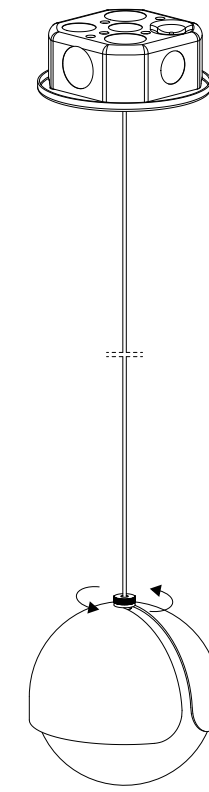


4. Insert G4 LED bulb.

5. Screw glass.

6. Adjust cable height into gripper.

anony.ca



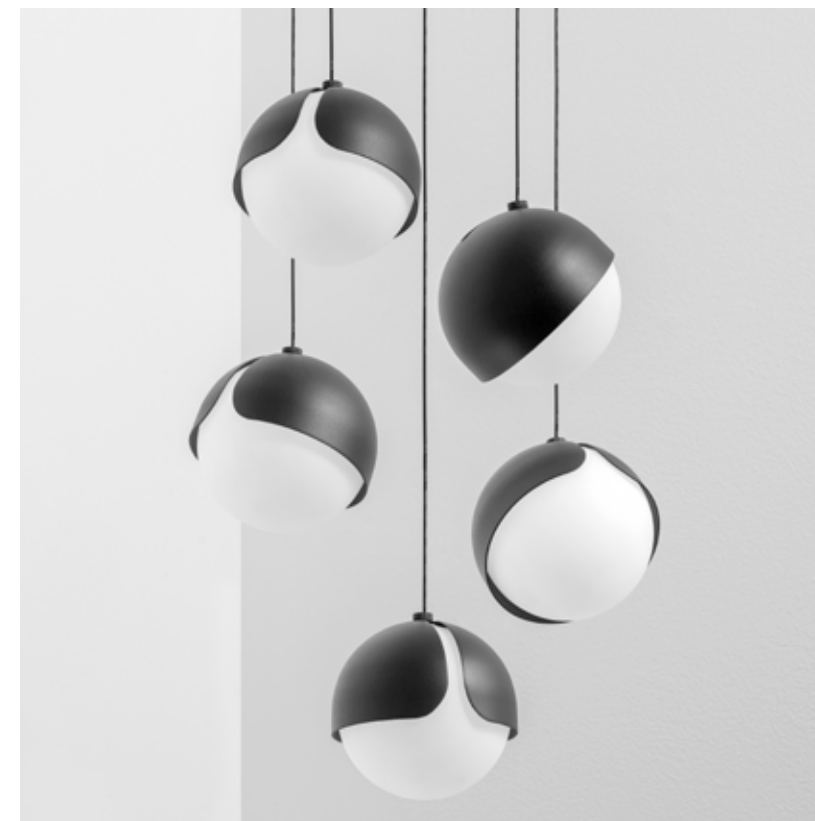
7. Adjust shade to preferred angle.

8. Tighten until shade is secure.

Ohm.
Pendant, Chandelier.

installation
instructions.

Installation to be completed by a licensed electrician.



Ohm.

Ohm is an innovative take on a conventional sphere, the Ohm's shade invites curiosity and interaction.

Pendant, Chandelier

Hi, we're Anony. Based in

Toronto, we're a lighting and product design studio.

As a Toronto based lighting and product design studio, local manufacturing capabilities and the latest technology are elemental to our design process.

We design products that last. Thoughtful and honest material choices result in something that exudes quality and inspires care.

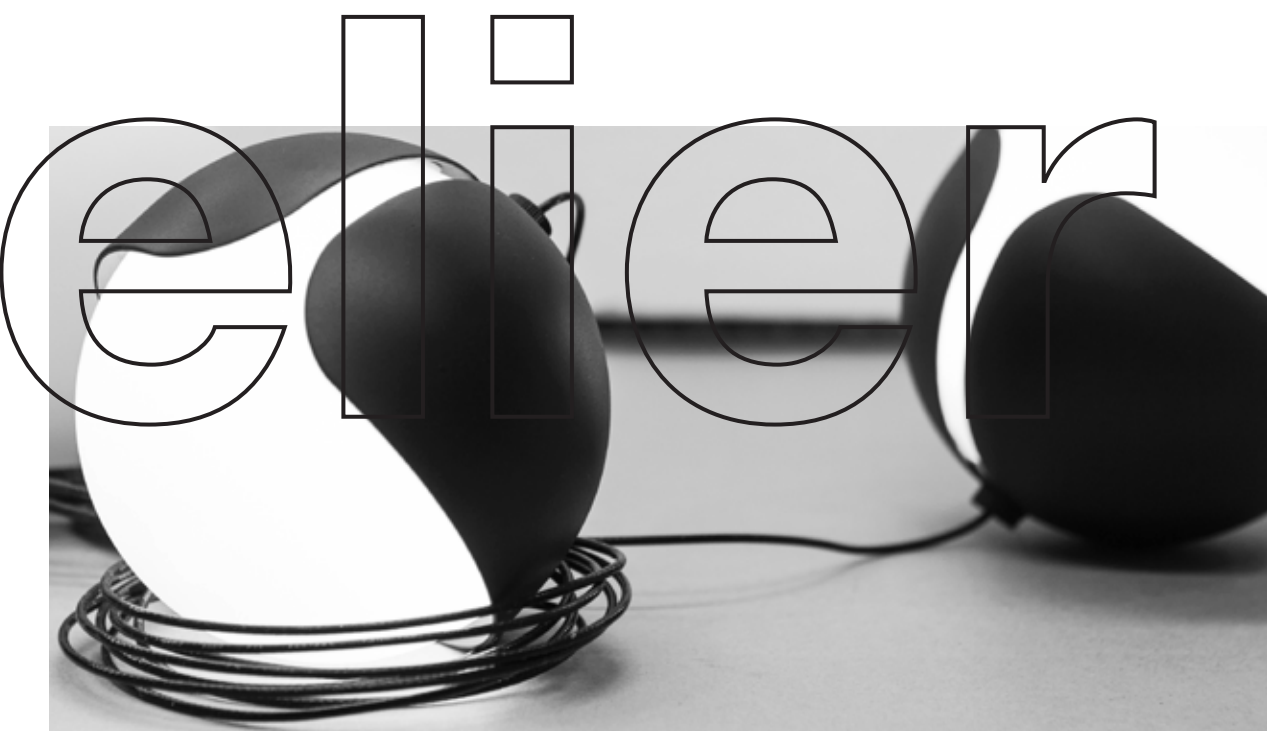
We're concerned with the entire life cycle of our product. In pursuit of creating an object that has longevity, every stage of life is considered.

We're here for the long run. We are Anony.

Pendant Dimension: Ø5in, Ø130mm.

Material: Steel, Aluminum, Glass, LED.

Finish: Polished Copper, Polish Brass, Polished Chrome, Sandtex Black, Sandtex White.



Material Choice & Considerations.

Stamped Steel: Hemisphere formed from sheet metal.

Blown Glass: Three layer triplex opal glass globe.

Acid Etching: To give globe uniform light diffusion and a matte surface.

Lathed Aluminum: Easy to machine, with good heat dissipation, for the socket housing.

Steel Finishing: All visible components for more finishing possibilities with plating and powder coating.

