

# DATASHEET

Type: **KNOT SMALL**  
Name: Pendant light  
ID: PC1036  
Designed by: Chiamonte Marin



Download

## Description

KNOT is a collection of stately pendent lights that appose two dramatically dissimilar materials. The design combines coarse natural fibre with smooth, transparent handblown glass to arouse a contrast as striking as it is dignified.

## Tech. description

The light comprises a glass shade, glass diffuser, metal component with LED module, and linen rope and is suspended from the ceiling canopy with a special bracket. The bottom section of the light is engineered as SELV.

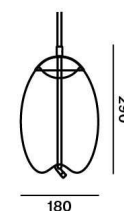


Colours options: [https://brokis.sharepoint.com/:b/s/brokis\\_sp/ETP5oCQ2b0VPIvMEsnsn5gIBT-gmiu4X8IyE4MTLsGRPDw](https://brokis.sharepoint.com/:b/s/brokis_sp/ETP5oCQ2b0VPIvMEsnsn5gIBT-gmiu4X8IyE4MTLsGRPDw)

## CONSTRUCTION SPECIFICATION

**Weight:** 3 kg  
**Construction material:** glass, metal, linen rope  
**Cord length [mm]:** Individual, max. 5,000 mm  
**Mounting:** Ceiling  
**Environment:** Indoor

## DIMENSIONS [mm]



## ELECTRICAL SPECIFICATION

**Input voltage [V]:** 100 - 240 V  
**Frequency [Hz]:** 50-60 Hz  
**Max. power [W]:** 3,4 W  
**Coverage IP:** 20  
**Socket:** LED module  
**Light source:** -  
**Energy class:** E

## CERTIFICATIONS

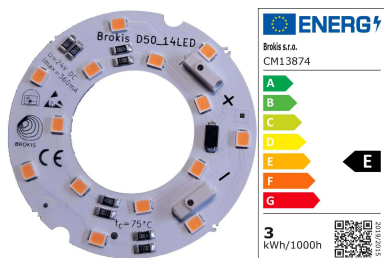


BROKIS S.R.O.  
ŠPANILOVA 1315/25  
163 00 PRAHA 6 - ŘEPY  
CZECH REPUBLIC

ORG ID 64940799  
VAT ID CZ64940799  
C 42174 MĚSTSKÝ SOUD  
V PRAZE

TEL +420 567 211 517  
TECHNICAL@BROKIS.CZ  
INFO@BROKIS.CZ  
WWW.BROKIS.CZ

2020\_08  
PAGE 1



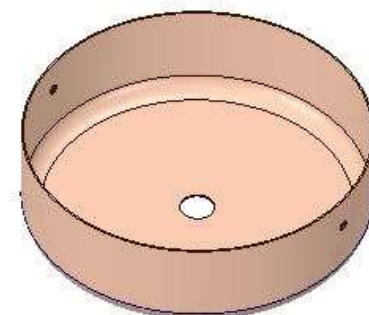
## CM13874

<b>Type</b>	LED module
<b>Lamp wattage [W]</b>	3,4 W
<b>Input voltage [V]</b>	24 VDC
<b>Energy class</b>	E
<b>Flux [lm]</b>	425 lm
<b>Light colour [K]</b>	2700 K
<b>CRI</b>	93
<b>Dimmable</b>	yes

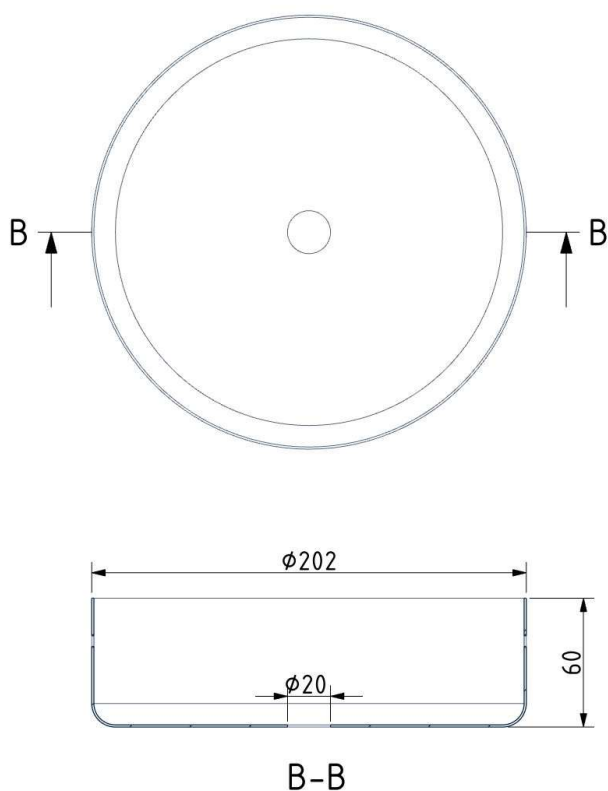


### INNER FIXTURE

Dimensions O x w [mm] 202 x 60 mm  
Weight [kg] 1.15 kg  
Material metal



### Drawing



### Hole placement

