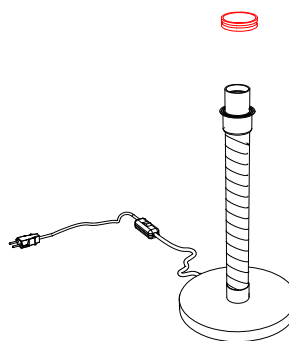


ALL OPERATIONS MUST BE CARRIED OUT BY QUALIFIED PERSON

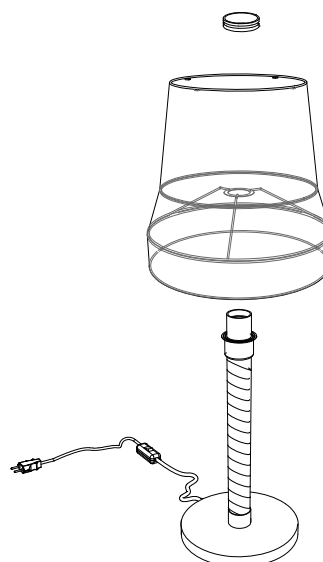
- ① Unscrew the ferrule on the lamp holder.

Svitare la ghiera sul portalampada.



- ② Mount the shade on the lamp stem and fix it with the ferrule.

Montare il paralume sullo stelo e fissarlo con la ghiera.



- ③ Insert the bulb and mount the diffuser on the top.

Inserire la lampadina e montare il diffusore in alto.

