

FLOS

F0303000 Steel

Arco Led

Designed by Achille and Pier Giacomo Castiglioni, 1962

28W - 1224lm - 2700K



Floor lamp providing direct light. White Carrara marble base. Satin-finish stainless steel telescopic stem. Pressed, polished and zapon-varnished aluminum swiveling and height-adjustable reflector.

Are you a professional and your project needs consulting and support?

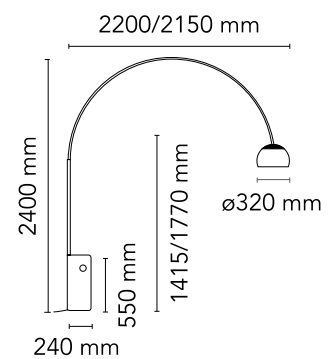
[BOOK AN APPOINTMENT](#)

Main specifications

EAN	8059607000991
Mounting	Floor
Environment	Indoor dry location
Light source type	LED
LED type	LED array
Lamp holder	COB LED
Number of heads	1
Power (W)	28
System flux (lm)	1224

Physical

Colour	Steel
Cord length (mm)	2700
Net weight (kg)	63.85
IP	20
IP external	20



Download

Mounting instructions	↓ PDF
Mounting instructions	↓ PDF
Mounting instructions	↓ PDF
Spare Parts	↓ PDF

Photometric Files

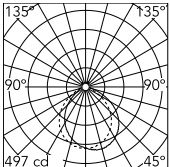
LDT / IES	↓ LDT
-----------	-----------------------

Technical Drawings

2D	↓ ZIP
3D	↓ ZIP



Schematic light drawing



Luminous flux luminaire
1224 lm

The above drawing is for illustrative purposes only and refers to product code: F0303000WARCO-LED_28W-LED

Photometric

Lighting type	Direct
Light distribution	Asymmetric
CCT (K)	2700

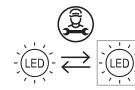
Electrical

Insulation class	III
Frequency (Hz)	50/60
Main voltage (Vac)	100-240/48
Driver	Remote included
Dimmable	Yes
Dimming type	Electronic 12V
Dimming interface	Dimmer Integrated
Cord length (mm)	2700
Plug type	Type G, Type A, Type C
Batteries inside	No
Charging min time	No

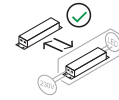
Ecodesign and Energy

Labelling

This product contains a light source of energy efficiency class D



Replaceable (LED only) light source by a professional



Replaceable control gear by an end-user

Spare Parts



F0310000
Marble base



RF00797
Polished reflector



RF02970
Long inox channel



RF02971
Medium inox channel



RF0300100
Fixing screw with joint



RF26383
Switch dimmer 600Ma for new version



RF0300200
Pins and screw set



RF0303300
Optical led diffuser fixing screws



RF0303400

Small inox channel with grid and led



RF0303600

Switch dimmer 400mA assembly for old version



RF3320400

Black plug assembly kit & 48V driver



RF20805

Middle electric cable with connectors



RF21041

Inox stem