

Pablo®

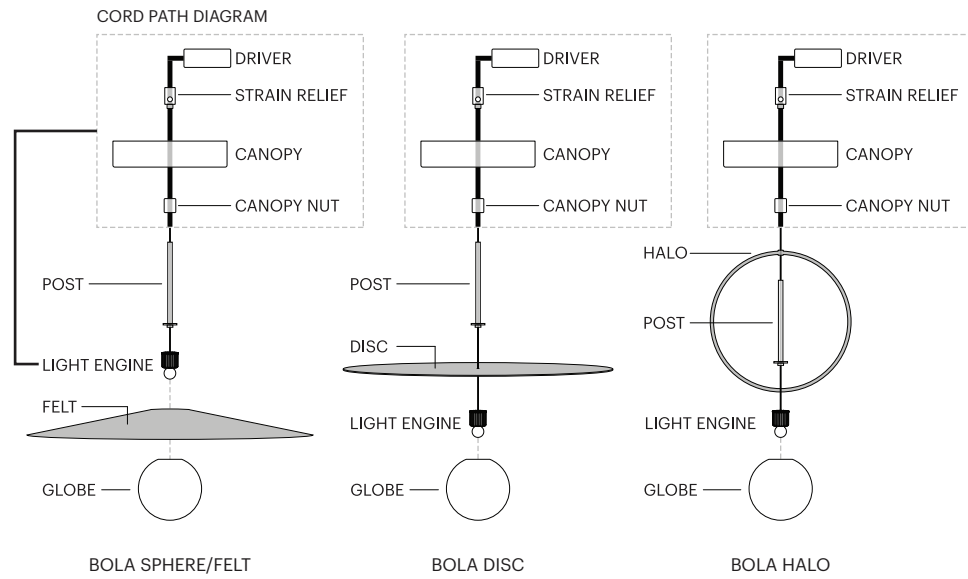
# BOLA DISC

## 120/240V ASSEMBLY & INSTALLATION INSTRUCTIONS

INFO@PABLODESIGNS.COM  
888 MARIN STREET  
SAN FRANCISCO, CA  
94124

PABLODESIGNS.COM

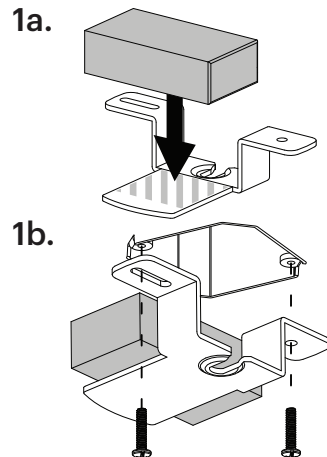
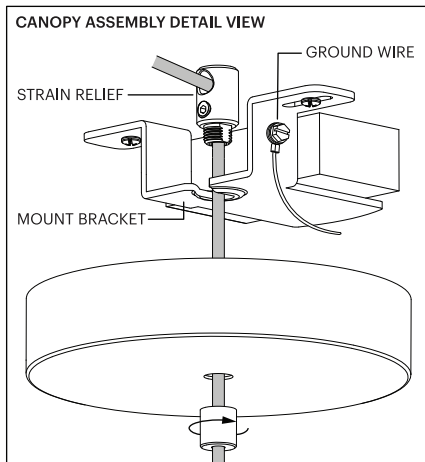




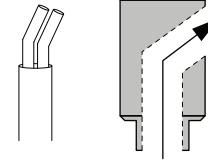
- 1. a** SECURE DRIVER TO MOUNT BRACKET WITH PROVIDED TAPE. **b** SECURE MOUNT BRACKET TO JUNCTION BOX OR CEILING USING APPROPRIATE ANCHOR METHODS.

**IMPORTANT! BE SURE TO REFERENCE CORD PATH DIAGRAM BEFORE MOVING ON.**

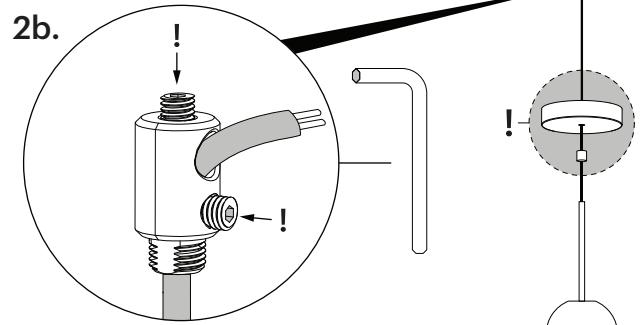
- BE SURE TO WEAVE CORD THROUGH ALL NECESSARY PARTS LISTED ABOVE BASED ON LAMP MODEL.
  - a** BEND WIRE ENDS BEFORE PASSING THROUGH STRAIN RELIEF. **b** PASS CORD THROUGH STRAIN RELIEF AND SET LAMP HEIGHT BY FASTENING BOTH (TOP AND SIDE) SET SCREWS. (IF NECESSARY: TRIM EXCESS CORD)
- PLACE FASTENED STRAIN RELIEF ONTO MOUNTING BRACKET. (**NOTE! STRAIN RELIEF SHOULD NEST INTO RECESS IN BRACKET SURFACE**)
- WIRE DRIVER TO BUILDING (US : BLACK TO BLACK/WHITE TO WHITE) (EU: BLACK TO BROWN/WHITE TO BLUE)  
**NOTE: PURPLE AND GREY WIRES ARE USED ONLY IN 0-10V INSTALLATIONS.**
- WIRE DRIVER TO LAMP (RED TO RED/BLUE TO BLACK)
- SECURE CANOPY COVER TO BRACKET ASSEMBLY WITH CANOPY NUT. TIGHTEN UNTIL FIRMLY IN PLACE.



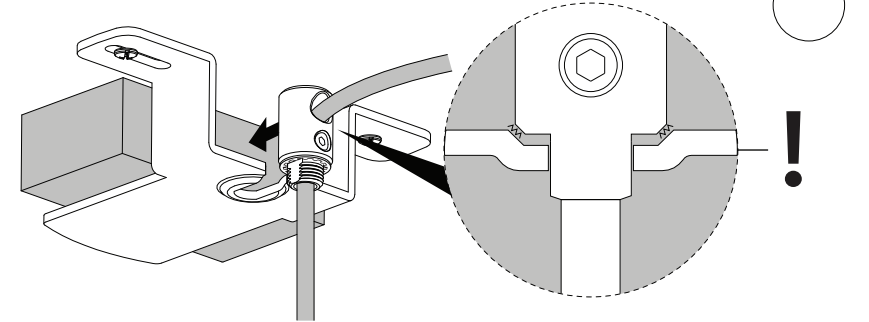
**2a.**



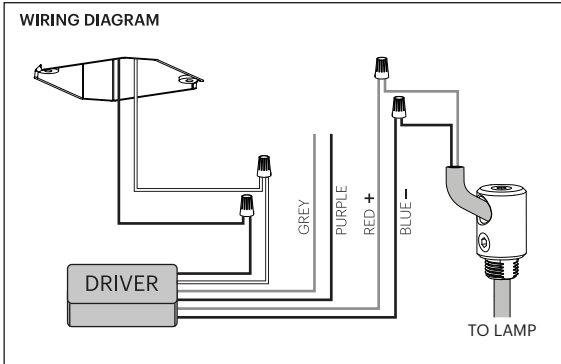
**2b.**



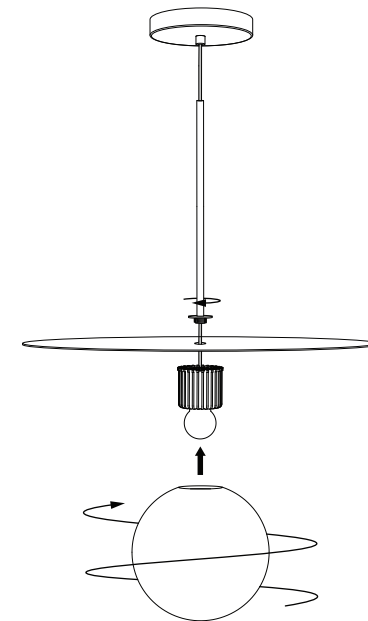
**3.**



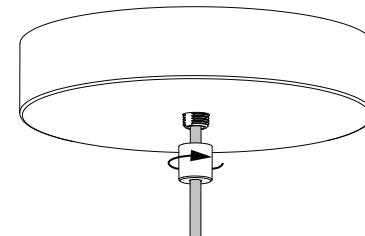
**4-5.**



**BOLA DISC PENDANT ASSEMBLY**



**6.**



**GLOBE THREADS ONTO LIGHT ENGINE**