

# DENGLONG T PE IN

by Neri&Hu, 2016

Suspension lamp. Anthracite lacquered aluminium structure and steel mesh. Top disc in gold lacquered aluminium. Fiberglass diffuser. Led module included and dimmable with phase-cut dimmers\*.

Type: Suspension lamp

Environment: Indoor

Structure: Aluminium and steel mesh

Diffuser: Fiberglass

Voltage: 120 V


Supply: Terminal strip

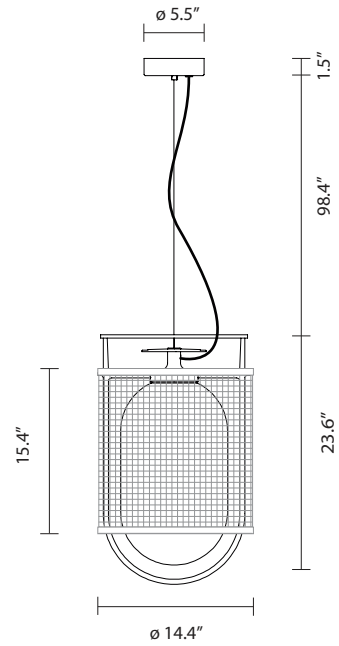
Cable length: 98.4"



Light source: Module LED  $\varnothing 46$  8.5W 3000K 680Lm

DENGLONG T PE IN

136030600020 anthracite

 6 kg  
8 kg



  IP-20

\*For dimmable options, please contact [office@parachilna.eu](mailto:office@parachilna.eu)