

GABRIEL SCOTT

est 2012



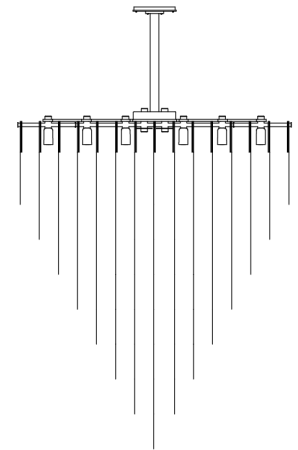
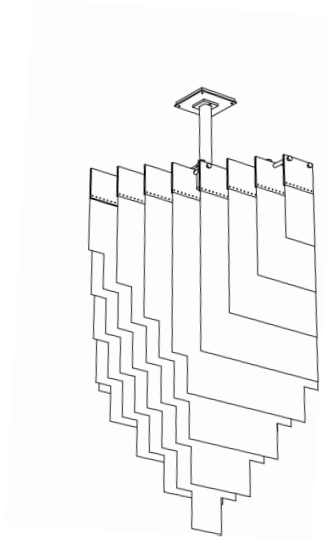
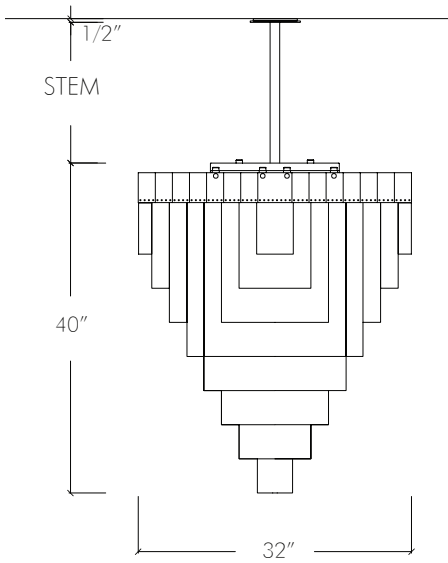
KELLY **Large Chandelier**

in Satin Brass

A chandelier that moves with glamorous intrigue, the KELLY Chandelier's metallic chain cascades through its various layers to create a glisten reflective effect. A bold synergy of cold metal with warm light, the black or brass frame hosts a matching chain that brightens any interior with midnight color.

With its Art Deco sensibility, the KELLY Chandelier is a transitional light fixture of exemplary proportion. Available in small, large and extra-long. Custom sizes available.

All Gabriel Scott pieces are handmade in Canada.



SPECIFICATIONS

Standard Finishes:

Metal: Blackened Steel, Satin Nickel, Satin Brass, Satin Copper or Satin Bronze

Specifications:

Dimensions: 32" x 32" x 40" H + Stem

81.3 cm x 81.3 cm x 101.6 cm + Stem

Weight: 80 lbs

Light Source: 110V 15 WATT T5 incandescent *(included)*
or 12V 3 Watt LED bulb *(optional)*

Standard Lead time: 12-14 weeks

Stems & Canopies:

Standard Stem Lengths: 6", 12", 18"

(additional lengths available on request)

Standard Canopy: 5"

Deep Canopy: Dimensions on request.

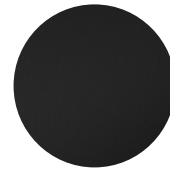
Custom finishes available upon inquiry.

Made and assembled in Canada. Item is UL & CE listed.

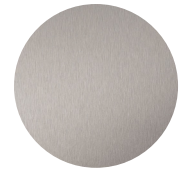


STANDARD FINISHES

Metal:



Blackened Steel



Satin Nickel



Satin Brass



Satin Copper



Satin Bronze