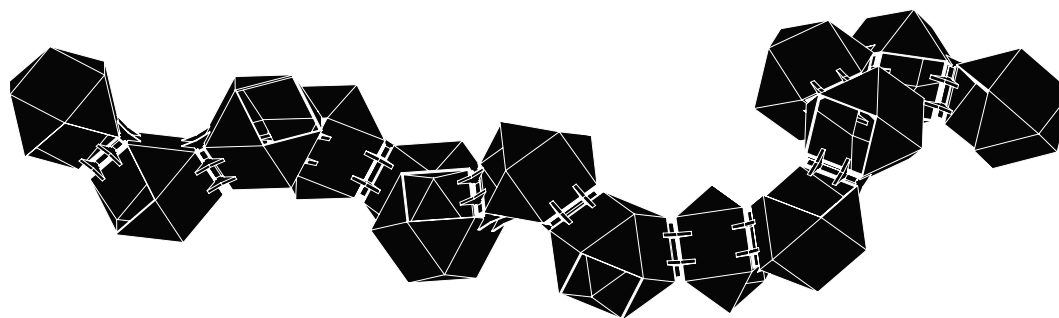

WELLES GLASS

Chandelier



GABRIEL SCOTT
EST 2012



www.GabrielScott.com

WELLES GLASS

Long Chandelier

1/16

A new type of modular elegance, the WELLES bridges feminine and masculine sensibilities for a perfect blend of strength and sophistication.

Each one of a kind glass piece is mold-blown to generate a gem like form and create a bright diffused light. Polished prong-like hardware boldly supports each glass volume and holds the body of the overall organic silhouette.

All Gabriel Scott pieces are handmade in Canada.



WELLES GLASS

Long Chandelier

2/16



WELLES GLASS

Long Chandelier

3/16



WELLES GLASS

Long Chandelier

4/16



WELLES GLASS

Long Chandelier

5/16



GABRIEL SCOTT
EST. 2012


372 Broome Street, New York, NY 10013
(212) 837-2923 • info@GabrielScott.com

www.GabrielScott.com

WELLES GLASS

Long Chandelier

6/16



GABRIEL SCOTT

EST. 2012



372 Broome Street, New York, NY 10013
(212) 837-2923 • info@GabrielScott.com



www.GabrielScott.com

WELLES GLASS

Long Chandelier

7/16

Spec sheet

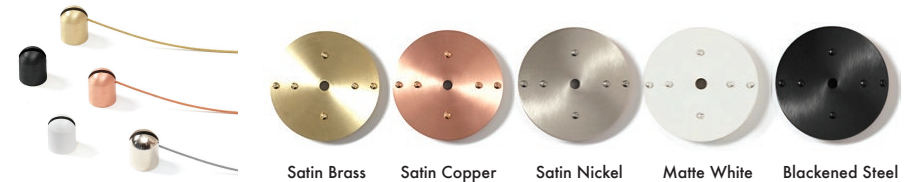
Product name:	Welles Glass Long Chandelier
Standard Leadtime:	12 - 14 weeks
Dimensions:	This is a modular fixture, see pages below for more information
Light Source:	12V 6 Watt LED bulb (included)
Standard Cable length:	96" Drop, adjustable upon installation (increased cable-lengths available upon request)
LED driver:	E60R12DC (110V)  UVC1250TD (220V) 
Weight:	5lbs per cube
	See Installation guide for installation details

Standard Finishes

Standard cube finish options:



Standard 5" canopy & monopoint finish options:

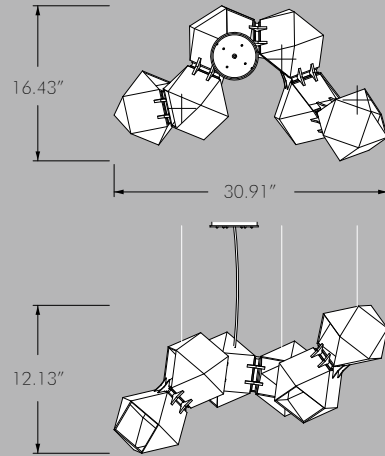


WELLES GLASS

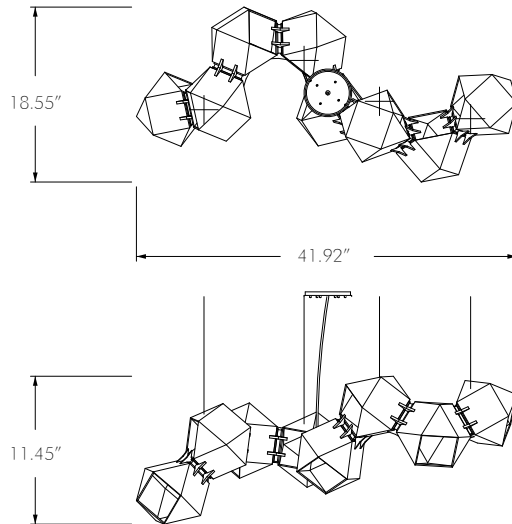
Long Chandelier

8/16

6x
28" LONG



8x
39" LONG



GABRIEL SCOTT

EST. 2012



372 Broome Street, New York, NY 10013
(212) 837-2923 • info@GabrielScott.com

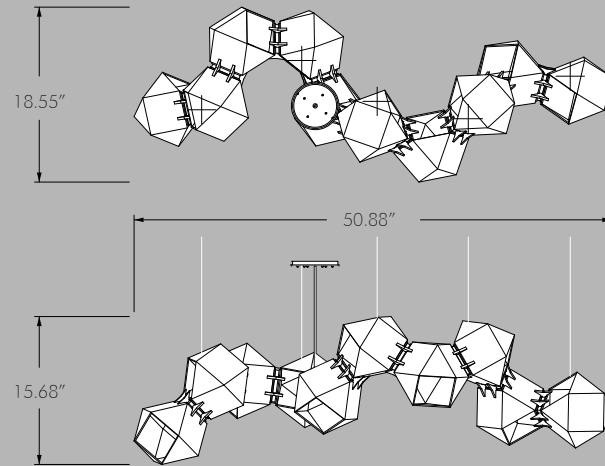
www.GabrielScott.com

WELLES GLASS

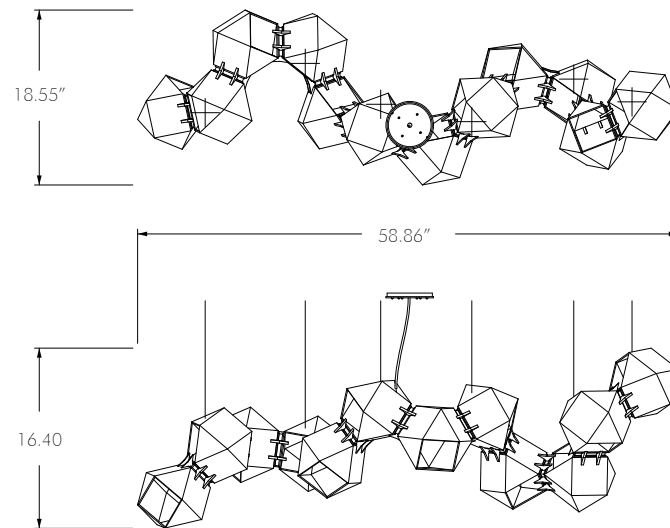
Long Chandelier

9/16

10x
50" LONG



12x
56" LONG



GABRIEL SCOTT

EST. 2012



372 Broome Street, New York, NY 10013
(212) 837-2923 • info@GabrielScott.com

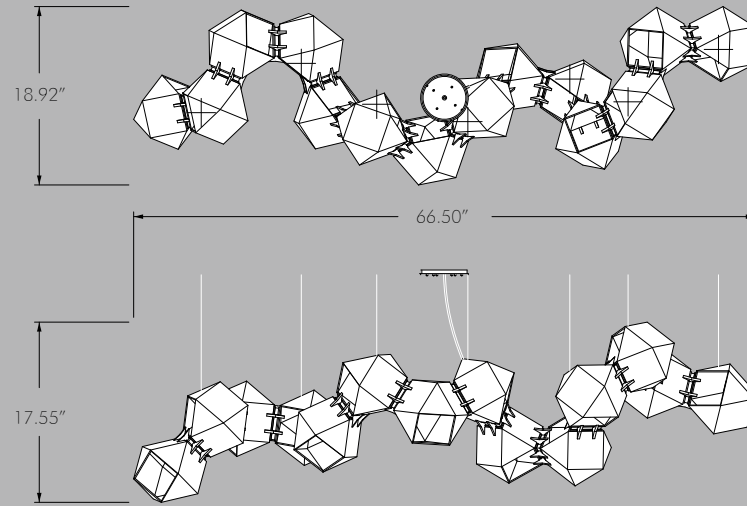
www.GabrielScott.com

WELLES GLASS

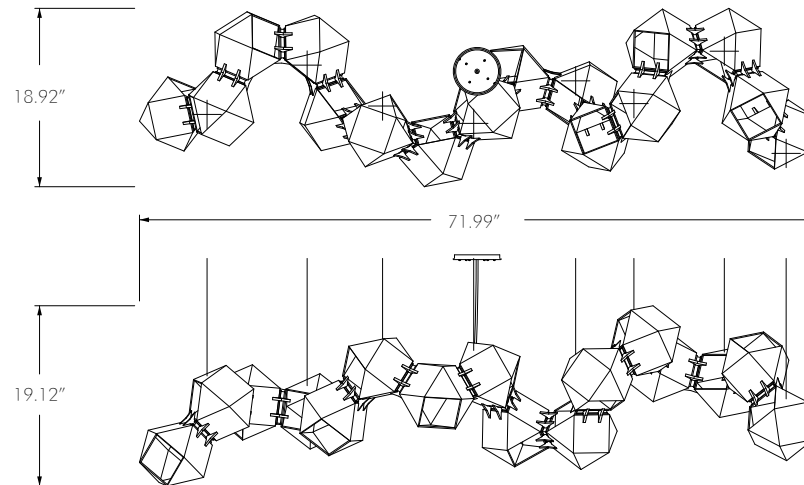
Long Chandelier

10/16

14x
65" LONG



16x
70" LONG



GABRIEL SCOTT

CST 2012



372 Broome Street, New York, NY 10013
(212) 837-2923 • info@GabrielScott.com

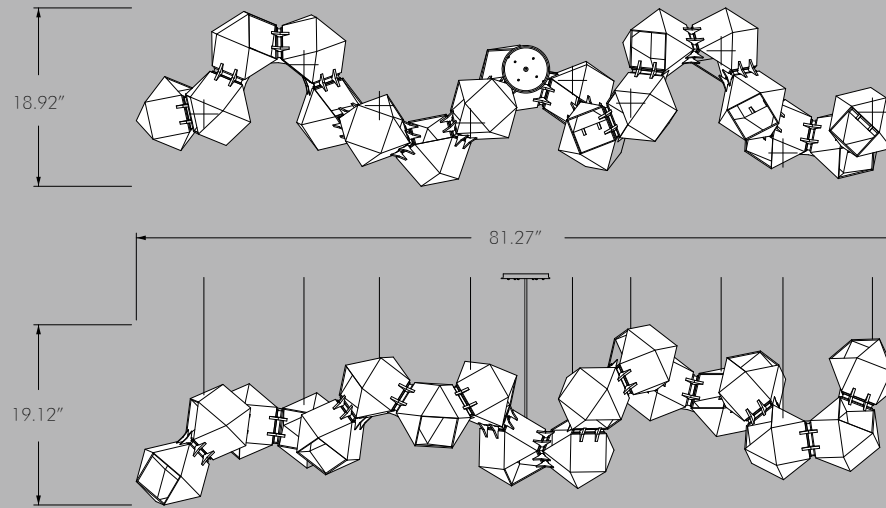
www.GabrielScott.com

WELLES GLASS

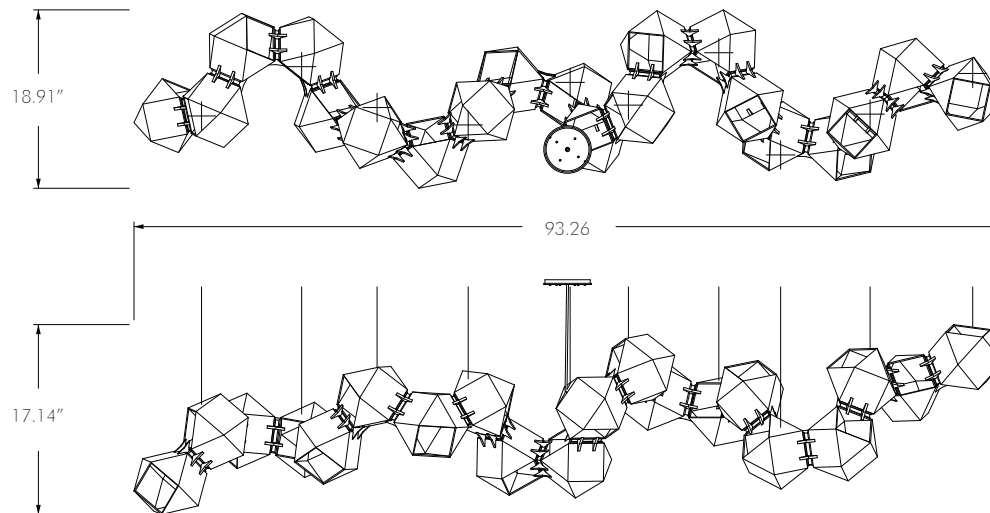
Long Chandelier

11/16

18x
80" LONG



20x
91" LONG



GABRIEL SCOTT

CST 2012



372 Broome Street, New York, NY 10013
(212) 837-2923 • info@GabrielScott.com

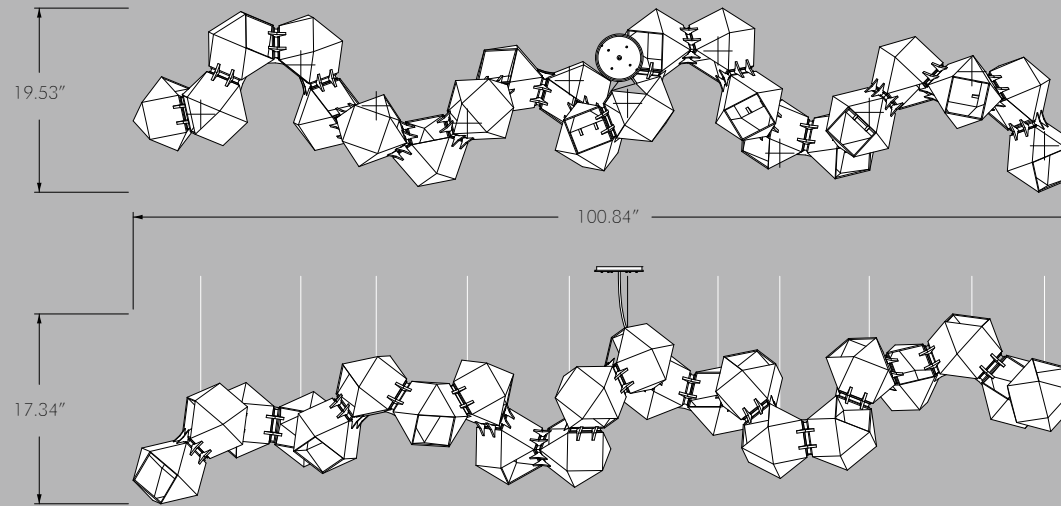
www.GabrielScott.com

WELLES GLASS

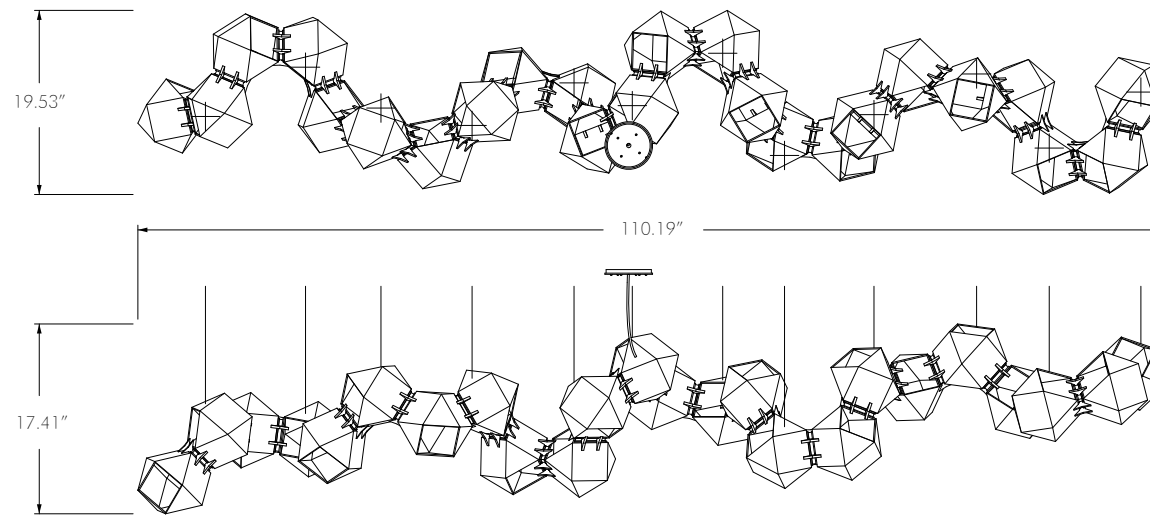
Long Chandelier

12/16

22x
100" LONG



24x
108" LONG



GABRIEL SCOTT

CST 2012



372 Broome Street, New York, NY 10013
(212) 837-2923 • info@GabrielScott.com

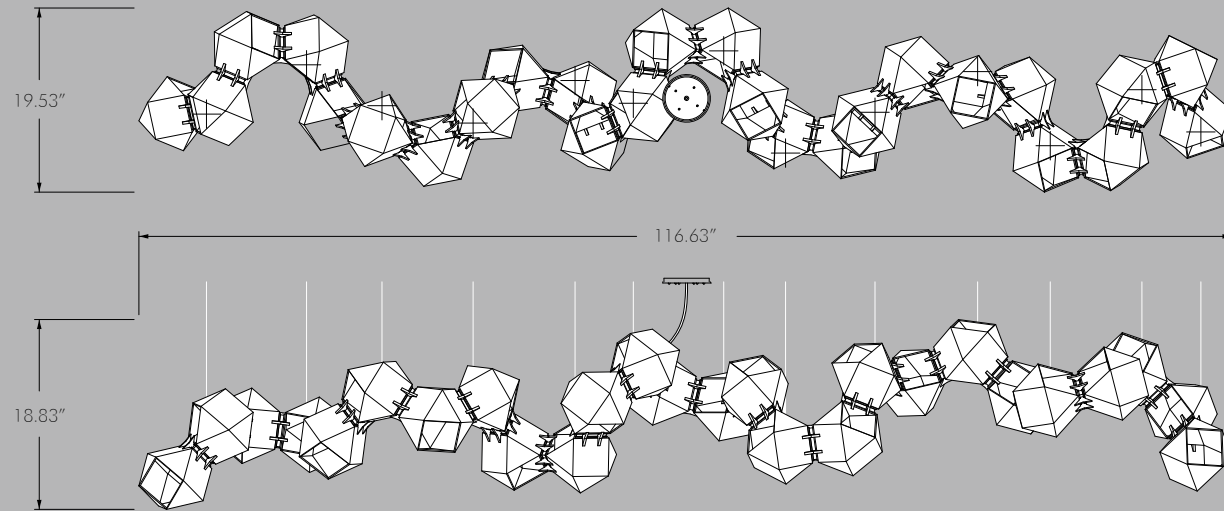
www.GabrielScott.com

WELLES GLASS

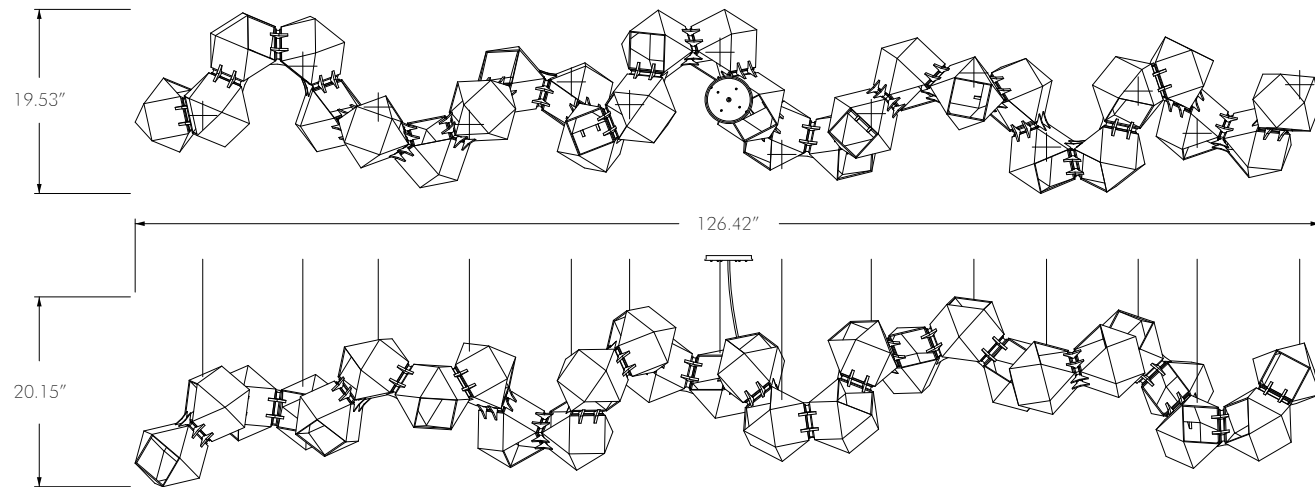
Long Chandelier

13/16

26x
115" LONG



28x
124" LONG



GABRIEL SCOTT

EST. 2012



372 Broome Street, New York, NY 10013
(212) 837-2923 • info@GabrielScott.com

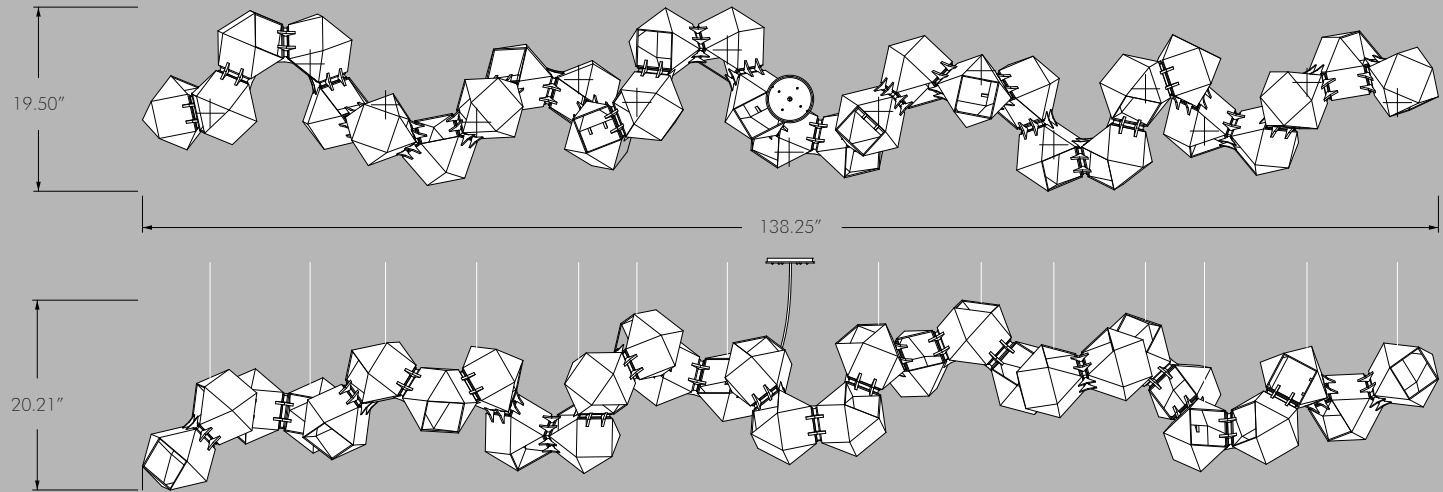
www.GabrielScott.com

WELLES GLASS

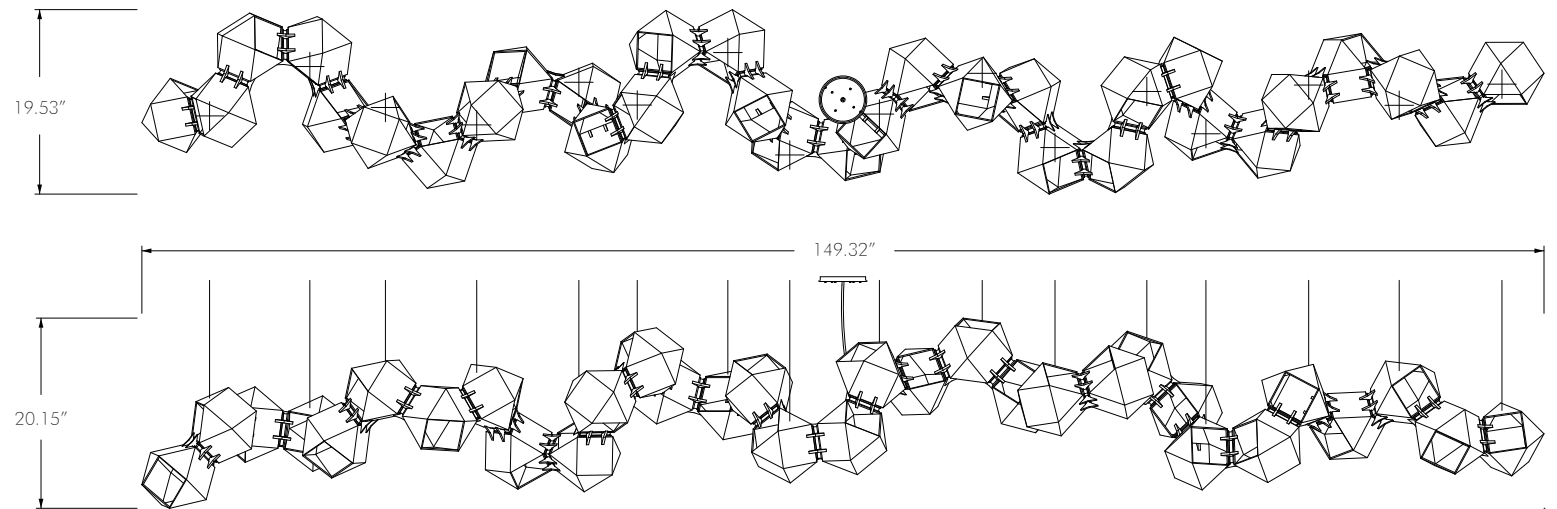
Long Chandelier

14/16

30x
136" LONG



32x
147" LONG



GABRIEL SCOTT

EST. 2012



372 Broome Street, New York, NY 10013
(212) 837-2923 • info@GabrielScott.com

www.GabrielScott.com

LED DRIVER

E60R12DC 110V

15/16

60W 12V DC LED Class 2 Driver for 110V

Note:

This modular fixture's length can be customized to fit any specified dimensions. The canopy can be centre or end justified.
North America (110V): 1 Driver is required for every 16 volumes.
Europe (220V): 1 Driver is required for every 14 volumes.
Driver placement should be considered.

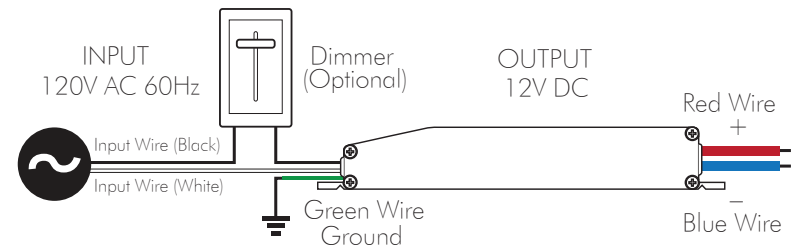
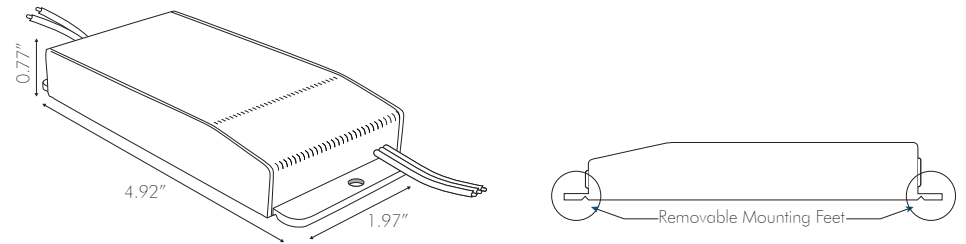
Features:

Dimmable with any standard MLV/Incandescent TRIAC - (Leading edge) dimmer switch
 Super compact ALUMINUM CASE
 Class 2UL 8750IP67 - Withstands wet and salty conditions
 Auto-Reset Protection for short circuits & over-voltage
 FCC 15 part 212V DC
 True RMS

Specifications:

Max Load	60W
Input Voltage	120V AC
Input Current at Max Load	0.61 A
Output Voltage	12V DC
Output Current at Max load	5A
Power Factor	0.95
Efficiency	> 90 %
Operating Temp.	-20c ~ 70c (-4F ~ 158F)
Overcurrent	Yes
Over temperature	Yes
Open circuit protection	Yes
Input Wires (White / Black)	18 AWG
Output Wires (Red / Black)	14 AWG
Dimensions	4.92" x 1.97" x 0.77"
Weight	9 oz

Magnitude's E60R12DC dimmable voltage LED driver is class 2 rated and designed to operate with any standard MLV/Incandescent TRIAC (Leading edge) dimmer switch. The driver's low profile aluminum case makes it the perfect choice for under cabinet lights, tape lights and various LED fixtures installations. Our electrical specification includes Auto Reset, over current and short circuit protection. Efficiency of 90% and higher allows the driver to operate at low temperatures.



*For smooth dimming 8W minimum load is required

LED DRIVER

UVC50TD 220V

16/16

50W Constant Voltage Triac Dimming LED Driver for 220V

Specifications:

Input voltage	220V - 240VAC
Input frequency	50 - 60 Hz
Input current	0.4A
Inrush current	<2.5A
Power factor	0.95
Output load Voltage	12V
Output current	4.16A
Output power	50W
Power factor	>0.95
Efficiency TYP	>80%

Protection:

Overload	Auto recovery
Short circuit	Auto recovery
Over Voltage	Auto recovery

Environment:

Operating temp	-20c - +50c
Storage temp	-40c - +70c
Relative humidity	5 - 95 %

Safety Standard:

Design refers to EN60598, EN61547, ENV55024, EN61000-4-2, 3, 4, 6, 8,11, EN61000-3-2, EN61000-3-3

EMI Standard:

Meets Emissions to EN55022, EN55015 Class B

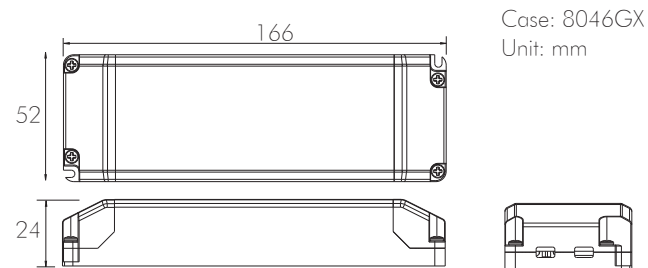
Weight:

200g

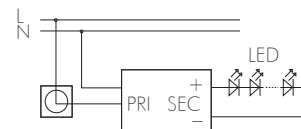
Features:

- Constant voltage output
- Fully isolated
- Short circuit, over current and over voltage protection up to 80% efficient
- Fire resistant plastic cover
- Compatible with leading and trailing edge dimmers
- 20 - 100% Dimming Load
- 10 - 100% Dimming range
- Mains dimmable
- Screw terminals
- IP44 design for indoor use
- 2 years warranty

Mechanical Diagram



LED Configuration



GABRIEL SCOTT

EST 2012



372 Broome Street, New York, NY 10013
(212) 837-2923 • info@GabrielScott.com

www.GabrielScott.com