

NODO

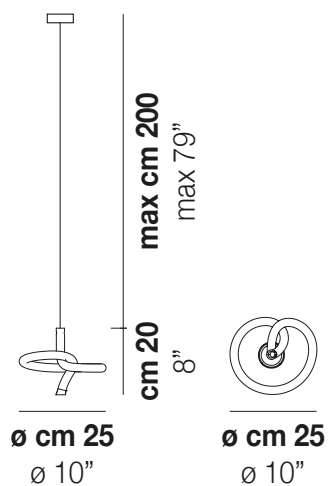
Design Pio e Tito Toso

NODO SP 25



Element freehand blown. Directional lighting downward and widespread in the ambient.

NODO SP 25



TECHNICAL DATA:



CERTIFICATIONS:



LIGHT SOURCES

1x48W 220-240 V
50/60 Hz G9

VOLUME Mc 0,04
GROSS WEIGHT Kg 4
NET WEIGHT Kg 2

[download](#)



SHADE FINISHING



BCLU

FRAME FINISHING



CR