

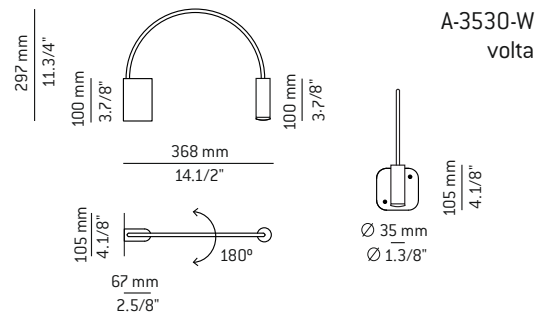
VOLTA

A-3530 / A-3531

493035302

Metallic wall sconce with a curved arm, cylindrical aluminium head and bottom acrylic lens diffuser.

Aplique metálico formado por un brazo en forma de arco y una pantalla cilíndrica de aluminio con difusor inferior de metacrilato.



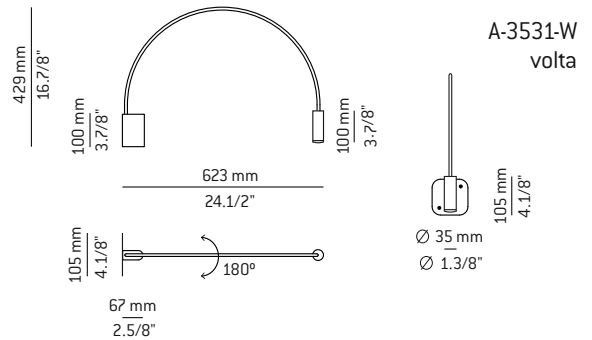
A-3530-W
volta

Warning:

Do not look directly into any LED source.
This lamp must be installed by a electrician certified.
Assembly by two people is recommended.

Atención:

No mirar directamente a los LED.
Esta lámpara debe ser instalada por un profesional.
Recomendamos dos personas para el montaje.



A-3531-W
volta

WE RECOMMEND TO READ THE INSTRUCTIONS ENTIRELY BEFORE BEGINNING THE INSTALLATION PLEASE SAVE THE INSTRUCTIONS FOR FUTURE REFERENCE

- * Make sure the power has been disconnected before installing the fixture.
- * Lighting fixtures should be installed only by qualified personnel.
- * Assure yourself that the bulb never exceeds the maximum wattage specified on the label.
- * For indoor use only.
- * Do not use alcohol or solvents to clean the lamp
- * For your convenience, assembly by two people is recommended.

LE RECOMENDAMOS LEA LAS INSTRUCCIONES ANTES DE PROCEDER A LA INSTALACIÓN GUARDE LAS INSTRUCCIONES PARA FUTURAS REFERENCIAS

- * Asegúrese de que la corriente está desconectada antes de conectar el aparato.
- * El montaje de luminarias debe ser efectuado solamente por personal técnico.
- * No utilizar bombillas con potencia superior a la indicada en la etiqueta.
- * Únicamente para uso en interiores.
- * Para limpieza no utilizar alcohol ni disolventes.
- * Recomendamos la intervención de 2 personas para el montaje de la lámpara.



UL 1598 ELECTRICAL INSTRUCTIONS FOR FLUSHMOUNTS, WALL SCONCES AND PENDANTS

SAVE THESE INSTRUCTIONS. MIN 90C SUPPLY CONDUCTORS. CAUTION-RISK OF FIRE. USE STATED WATT OR SMALLER. CAUTION-RISK OF SHOCK. DISCONNECT POWER BEFORE SERVICING. TO REDUCE THE RISK OF A BURN DURING RELAMPING, ALLOW THE BULB TO COOL DOWN. SUITABLE FOR DRY LOCATIONS ONLY. THIS PRODUCT MUST BE INSTALLED IN ACCORDANCE WITH THE APPLICABLE INSTALLATION CODE BY A PERSON FAMILIAR WITH THE CONSTRUCTION AND OPERATION OF THE PRODUCT AND THE HAZARD INVOLVED.

WARNING: ALL WIRES AND WIRE NUTS USED IN THE INSTALLATION MUST BE RATED 195F (90°C). FOR INDOOR USE ONLY. THESE PRODUCT MUST BE INSTALLED BY A QUALIFIED ELECTRICIAN.

Assembly instructions / Instrucciones

1 - Remove the canopy (A) by loosening the screws (B) located at the top and the bottom of the canopy.
Figure 1.

1- Liberar el tapapated (A) aflojando los tornillos (B) situados en la parte superior e inferior del mismo.
Figura 1.

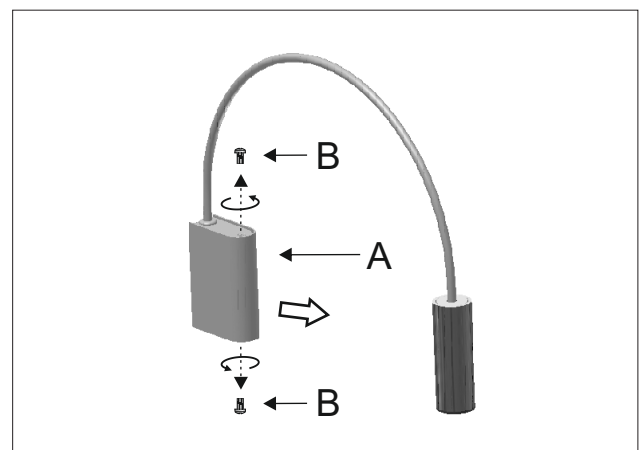


Figure 1

2- Unscrew the screw (C). Attach the mounting bracket (D) to the back plate (E) using the same screw (C) secure it with the nut (F). Figure 2

2 - Desenroscar el tornillo (C). Usar el mismo tornillo (C) para unir la sujeción (D) con el embellecedor (E) y roscar la tuerca (F). Figure 2

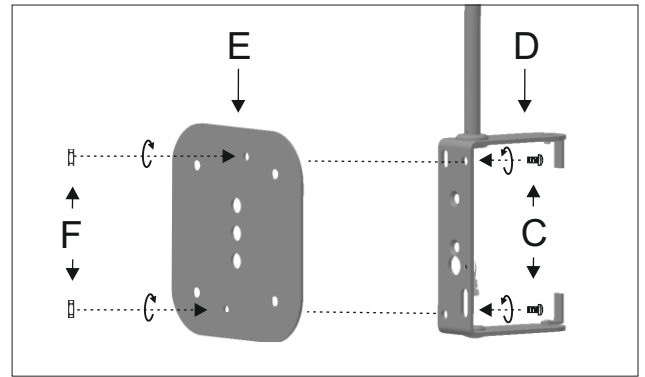


Figure 2

3 - Screw the cover screws into the two holes will not be fastened to the junction box. Figure 3

3 - Roscar los tornillos embellecedores en los dos agujeros que no van sujetos a la caja de conexiones. Figure 3.

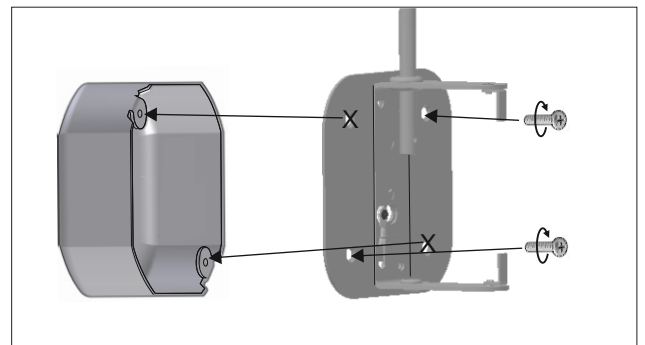


Figure 3

4 - Insert the electrical cable through the central hole of the mounting bracket (D). Make the connections inside of the junction box (G) and attach the back plate to the junction box. Figure 4

4 - Pasar el cable eléctrico de la red por el agujero central de la sujeción (D). Realizar las conexiones eléctricas y fijar la sujeción a la caja de conexiones (G). Figure 4.

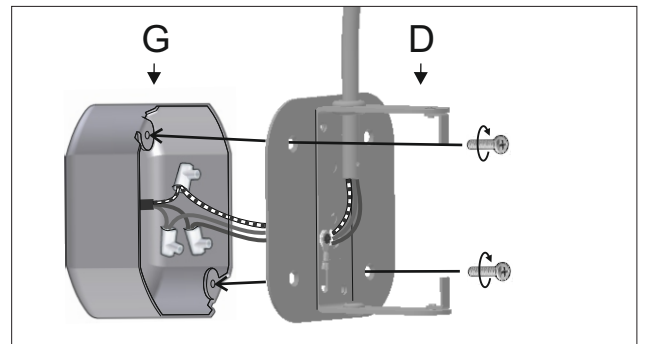


Figure 4

5 - Place the canopy back (A) and screw the screws (B) located at the top and bottom. Figure 5

5- Colocar de nuevo el tapapated (A) y roscar los tornillos (B) situados en la parte superior e inferior del mismo. Figure 5.

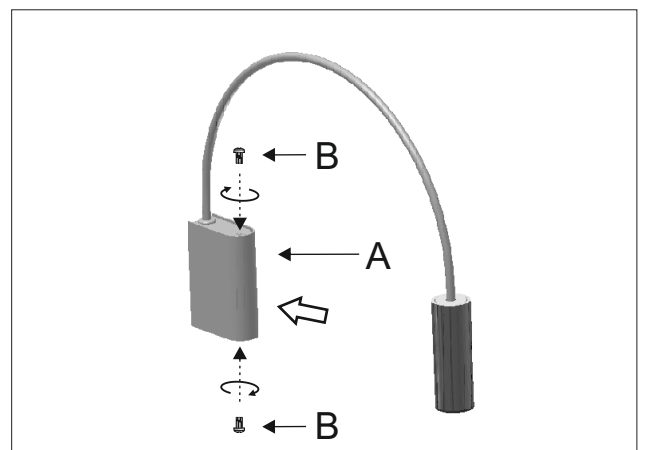


Figure 5