



SLAB SERIES

PENDANT P20.3–20.5

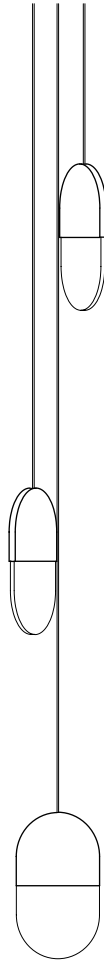
The Slab Pendant 20 combines a visually graphic presence, impossibly slim profile and acoustic dampening properties to provide an aesthetically unique and diverse light fixture.

DESIGNER
LUKAS PEET

INSTRUCTIONS



SCAN HERE



NORTH AMERICA



andlight.ca

INSTALLATION NOTES

The luminaire is powered by 12V DC. A constant voltage LED driver is required to operate the luminaire. The LED driver varies depending on input voltage and dimming requirements.

For questions regarding installation, please email info@andlight.ca



CARE INSTRUCTIONS

Always wear clean gloves when handling the luminaire. Clean finished surfaces with a soft, lint-free cloth. Clean acrylic diffuser with a soft lint-free cloth and a diluted solution of dish soap in warm water.

For replacement parts contact ANDlight directly.



WARNING

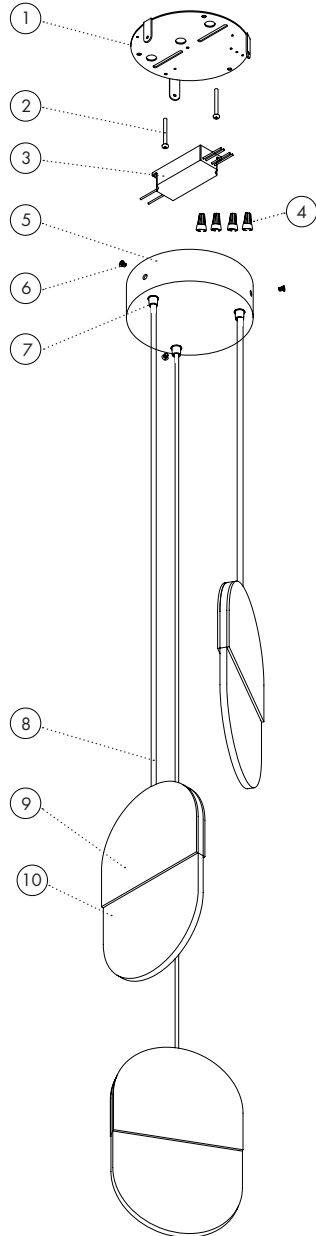
The luminaire must be installed by a qualified electrician in a dry indoor location.

Failure to meet any or all of these criteria will not only damage the luminaire, but will void both the warranty and all of its certifications.

COMPONENTS

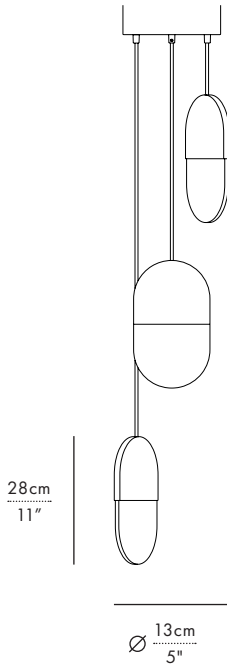


- ① BACKPLATE
- ② #8-32 SCREWS (2)
- ③ LED DRIVER
- ④ WIRE NUT (4)
- ⑤ CANOPY
- ⑥ CANOPY SCREW (3)
- ⑦ STRAIN RELIEF (3-5)
- ⑧ ELECTRICAL CORD (3-5)
- ⑨ LUMINAIRE BODY (3-5)
- ⑩ ACRYLIC DIFFUSER (3-5)

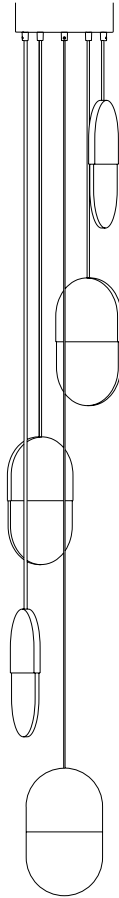


SLAB OPTIONS

The Slab 20 Pendant is available in
2 arrangements:



SLAB 20.3



Ø 18cm
7"

SLAB 20.5

LED DRIVER OPTIONS

The Slab Pendant LED driver varies depending on dimming requirements and input voltage.

Use the ordering code to determine the driver selected:

ie. SLA-P20.3-P-BK-27-010-277

DIMMING --- INPUT VOLTAGE

PHASE CUT DIMMING (PC)

M28 SERIES - ES POWER

INPUT: 120VAC

OUTPUT: 12VDC, 24W

L x W x H: 89 x 42 x 31



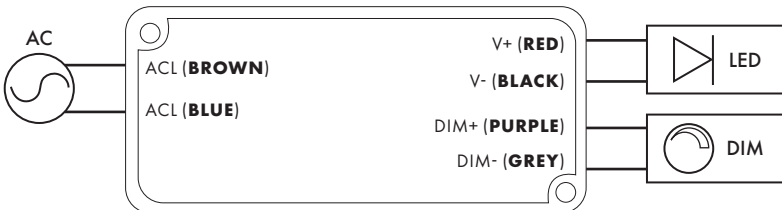
0-10 + PWM DIMMING (010)

Q22-P SERIES - ES POWER

INPUT: 110-277VAC

OUTPUT: 12VDC, 22W

L x W x H: 89 x 42 x 31



INSTALLATION



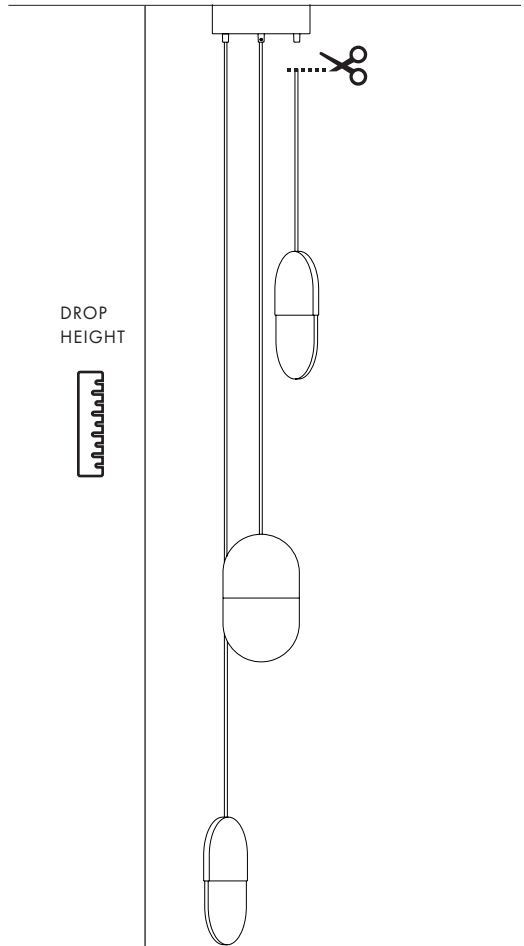
STEP 1

Determine the drop height and trim the excess electrical cord.

Electrical cord length:

Leave extra length. Add an extra 15cm/6" to the drop height.

This allows for adjustment and electrical connections inside the canopy.



INSTALLATION

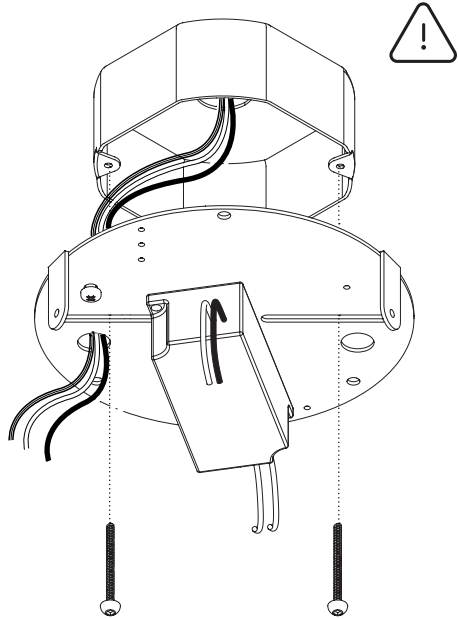
STEP 2

Mount the backplate to the junction box.

Use the provided #8-32 screws.

⚠ Caution!

Ensure that the power is disconnected at the breaker.



REFER TO PAGE 6: DRIVER OPTIONS FOR MORE DETAILS

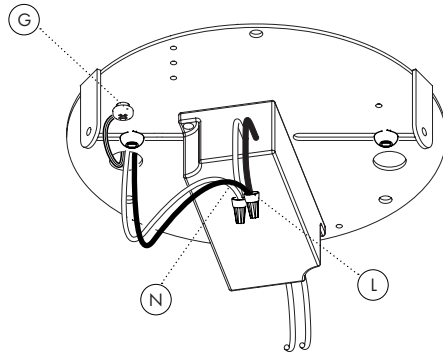
STEP 3

Connect the primary circuit on the LED driver to input power. Connect ground.

Black/brown wire = **Line** (L)

White/blue wire = **Neutral** (N)

Green screw = **Ground** (G)



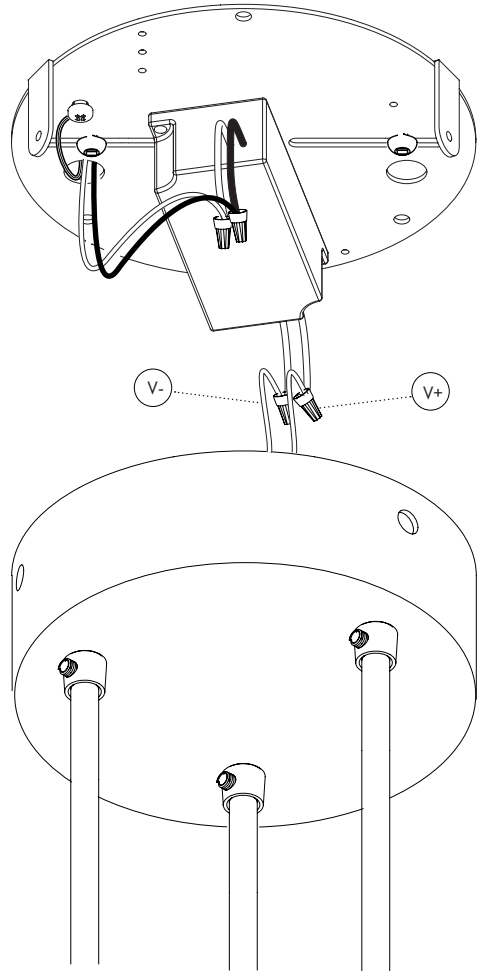
INSTALLATION

STEP 4

Connect the luminaire to secondary circuit on LED driver.

Dashed line = **Positive** (V+)

Black = **Negative** (V-)



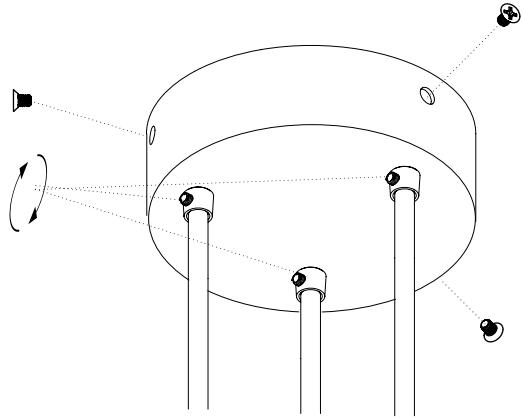
REFER TO PAGE 6: DRIVER OPTIONS FOR MORE DETAILS

STEP 5

Secure the electrical cords and mount the canopy to the backplate.

Secure the electrical cords by tightening the screw on the strain relief clockwise until the electrical cord is held in position.

Attach the canopy to the backplate using the provided colour matched canopy screws.





For support, please contact:

info@andlight.ca

+1 604 563 6938

ANDlight

1951 Franklin St,
Vancouver, BC
Canada V5L 0C7

andlight.ca