

# DATASHEET

Type: **PRISMA**  
Name: Pendant light  
ID: PC1313  
Designed by: Lucie Koldová



Download

## Description

The dominant feature of the Prisma collection is an extravagant metal fixture with a distinctive finish. Classic handblown glass spheres are anchored to either one or both ends of a robust decagonal metal prism that lends the collection its name. The shape in combination with the striking surface reflect light at different and unexpected angles, like a prism. With a choice of three different elegant finishes – brushed steel, galvanized yellow zinc gloss, or galvanized yellow zinc matte – the light is a bold artistic object in the interior offering unique vertical, horizontal, and diagonal compositions with subtle colourful reflections. The collection consists of a horizontal pendant light with two dual glass spheres and a vertical pendant light with a single glass sphere, both of which hang from wire ropes. Another typological variant is an impressive floor light, a majestic light sculpture in the form of a robust upright decagon topped with a luminous glass sphere.



## Tech. description

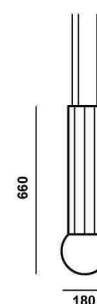
The light comes in horizontal and vertical variants. The horizontal variant features dual LED modules with diffusers and glass shades. The vertical variant is fitted to the bottom of a metal fixture. The electronics are concealed within the ceiling canopy.

Colours options: [https://brokis.sharepoint.com/:b/s/brokis\\_sp/Ecf09WCNwwVJrawVJwxsmkEBkV567ZiPOIxATEfY3HgObg](https://brokis.sharepoint.com/:b/s/brokis_sp/Ecf09WCNwwVJrawVJwxsmkEBkV567ZiPOIxATEfY3HgObg)

## CONSTRUCTION SPECIFICATION

**Weight:** 5.6 kg  
**Construction material:** glass, metal  
**Cord length [mm]:** 2,200 mm  
**Mounting:** Ceiling  
**Environment:** Indoor

## DIMENSIONS [mm]



## ELECTRICAL SPECIFICATION

**Input voltage [V]:** 100 - 240 V  
**Frequency [Hz]:** 50-60 Hz  
**Max. power [W]:** 6 W  
**Coverage IP:** 20  
**Socket:** LED module  
**Light source:** -  
**Energy class:** E

## CERTIFICATIONS

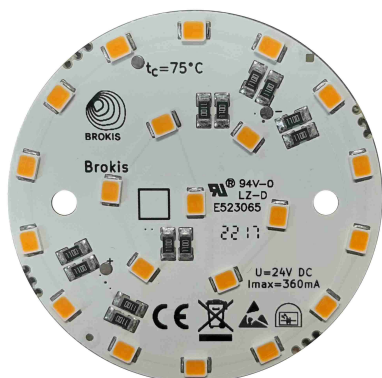


BROKIS S.R.O.  
ŠPANILOVA 1315/25  
163 00 PRAHA 6 - ŘEPY  
CZECH REPUBLIC

ORG ID 64940799  
VAT ID CZ64940799  
C 42174 MĚSTSKÝ SOUD  
V PRAZE

TEL +420 567 211 517  
TECHNICAL@BROKIS.CZ  
INFO@BROKIS.CZ  
WWW.BROKIS.CZ

2022\_10  
PAGE 1



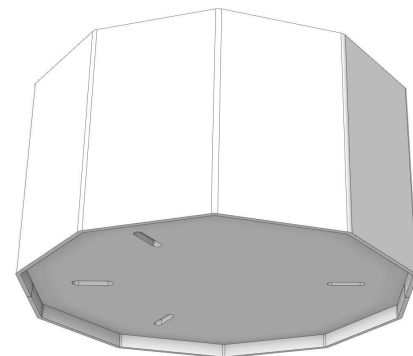
**CM15124**

<b>Type</b>	LED module
<b>Lamp wattage [W]</b>	6 W
<b>Input voltage [V]</b>	24 VDC
<b>Energy class</b>	E
<b>Flux [lm]</b>	683 lm
<b>Light colour [K]</b>	2700 K
<b>CRI</b>	90+
<b>Dimmable</b>	yes



### INNER FIXTURE

Dimensions O x w [mm] 129 x 70 mm  
Weight [kg] 1 kg  
Material metal



### Drawing

### Hole placement

