

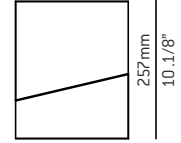
A-3320 L USA 493033204

Aplique metálico con luz directa e indirecta. Difusor satinado inferior.

Metallic wall sconce. Provides direct and indirect light. Bottom diffuser.



960°

IP
20100mm
3.7/8"90mm
3.1/2"210mm
8.1/4"257mm
10.1/8"

UL 1598 ELECTRICAL INSTRUCTIONS FOR FLUSHMOUNTS, WALL SCONCES AND PENDANTS

SAVE THESE INSTRUCTIONS. MIN 90C SUPPLY CONDUCTORS. CAUTION-RISK OF FIRE. USE STATED WATT OR SMALLER. CAUTION-RISK OF SHOCK. DISCONNECT POWER BEFORE SERVICING. TO REDUCE THE RISK OF A BURN DURING RELAMPING, ALLOW THE BULB TO COOL DOWN. SUITABLE FOR DRY LOCATIONS ONLY. THIS PRODUCT MUST BE INSTALLED IN ACCORDANCE WITH THE APPLICABLE INSTALLATION CODE BY A PERSON FAMILIAR WITH THE CONSTRUCTION AND OPERATION OF THE PRODUCT AND THE HAZARD INVOLVED.

WARNING: ALL WIRES AND WIRE NUTS USED IN THE INSTALLATION MUST BE RATED 195F (90°C). FOR INDOOR USE ONLY. THIS PRODUCT MUST BE INSTALLED BY A QUALIFIED ELECTRICIAN.

Instrucciones / Assembly Instructions

Atención: / Warning:

No mirar directamente a los LED.

Do not look directly into any LED source.

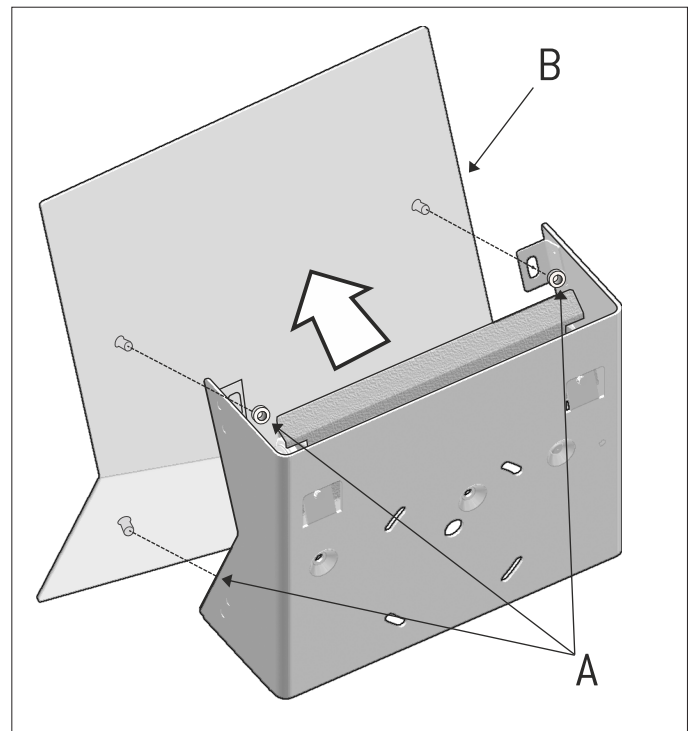
Bitte nicht direkt in die LED schauen.

Ne regardez jamais les ampoules LED directement.

1- Desenroscar y liberar las tres tuercas moleteadas (A). Liberar la pantalla (B). Figura 1.

1- Untighten and remove the three knurled nuts (A). Remove the shade (B). Figure 1.

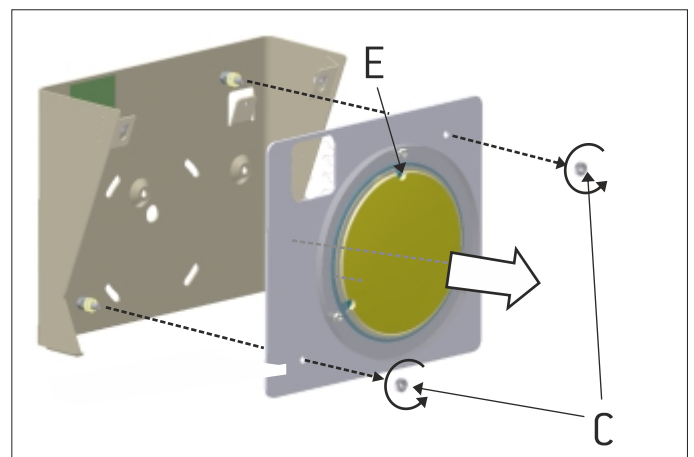
1



2- Desenroscar y liberar las tuercas moleteadas (C). Liberar el conjunto LED (E). Figura 2.

2- Untighten and remove the knurled nuts (C). Remove the LED-set (E). Figure 2.

2

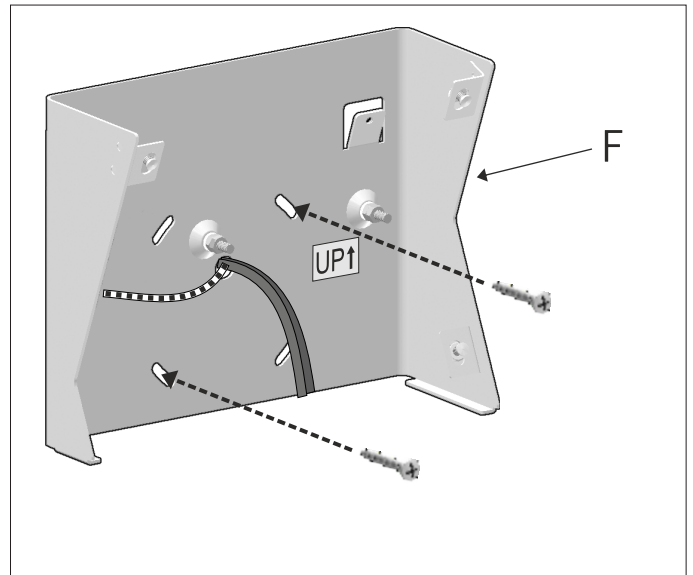


Instrucciones / Assembly Instructions

3- Pasar los cables de la red eléctrica. Realizar las conexiones eléctricas asegurándose de conectar el cable tierra en el lugar correspondiente. Atornillar la sujeción (F) a la pared o en la caja de conexiones. Asegurarse de su correcta colocación (etiqueta "UP" hacia arriba). Figura 3.

3- Insert the electrical wires. Connect the wires making sure to have connected the ground wire correctly. Screw the mounting bracket (F) to the wall or the electrical junction box being careful it is properly installed (label "UP" upwards). Figure 3.

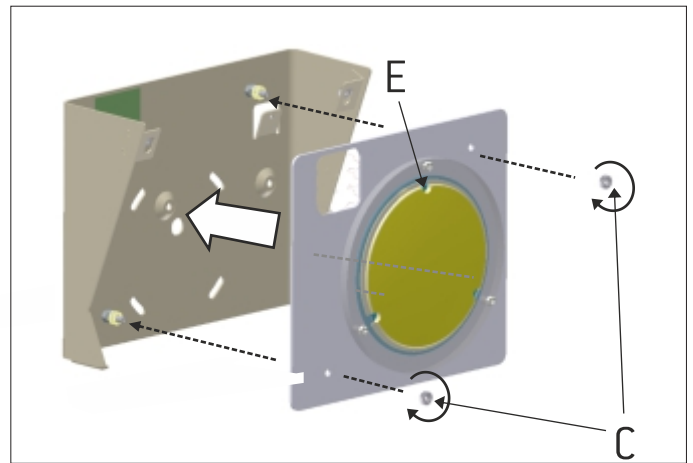
3



4- Colocar el conjunto LED (E) en su posición original y fijarlo mediante las tuercas moleteadas (C) desenroscadas previamente. Figura 4.

4- Put the LED-set (E) back in place. Fix it using the knurled nuts (C) removed previously. Figure 4.

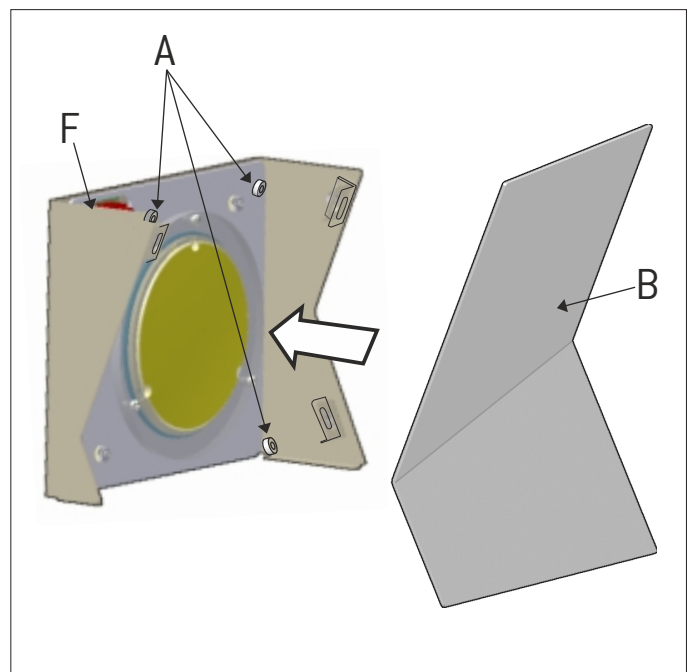
4



5- Acoplar la pantalla (B) a la sujeción (F). Fijar la pantalla con las tuercas moleteadas (A) liberadas previamente. Figura 5.

5- Attach and affix the shade (B) to the mounting bracket (C) using the knurled nuts (A) removed previously. Figure 5.

5



6- Antes de colocar el difusor, quitar los plasticos protectores de ambas caras. Colocar el difusor (D) tal y como se demuestra en la figura 6.1 con la cara brillante mirando hacia nosotros. Insertar el difusor en las regatas inferiores de la sujeción figura 6.2. Girar el difusor de manera que la cara mate quede hacia abajo. Figuras 6.3 y 6.4.

6- Remove the protective plastic from both sides before placing the diffusers. Place the diffuser (D) as shown in figure 6.1, with the shiny side facing us. Insert the diffuser into the inferior mounting bracket slots figure 6.2. Turn the diffuser so that the satin side faces down. Figures 6.3 and 6.4.

6

