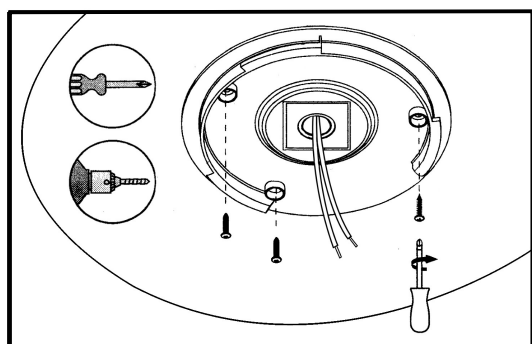


# Pilke 65 Plafond | user manual

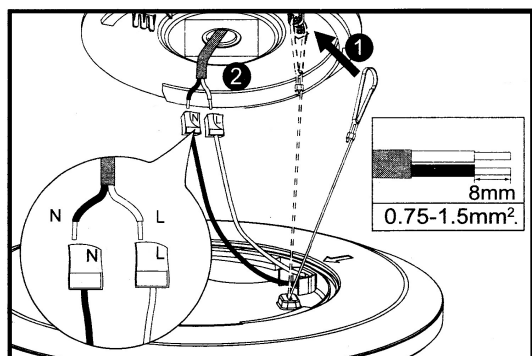
## IMPORTANT NOTICE :

Before installation make sure power is **OFF** !  
Only professional electrician is allowed to do installation!

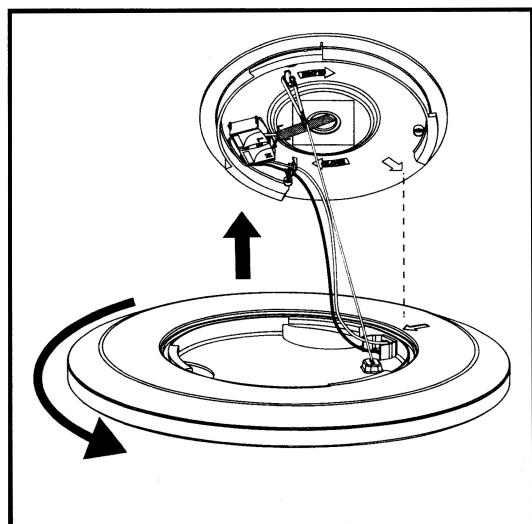


Plafond light is mounted to ceiling/wall either  
A. directly to junction box.  
B. by screwing to ceiling/wall with 3 screws.  
( see page 2 for dimensions on ceiling holes )

Make sure to feed electrical cable from ceiling before installation!



1. Attach support wire to ceiling plate.  
This will help keep hands free for installation.
2. Connect electrical wires as shown.  
Push connectors to their place in ceiling plate.



Place LED lamp as shown with marked arrows.  
Once LED lamp is lifted in place, turn clockwise to lock it in position. Make sure LED lamp locks to it's place.

Light source:  
Philips Ceiling Light 18 W LED lamp  
220-240V 1500 lumen  
Sceneswitch: 3 light settings

