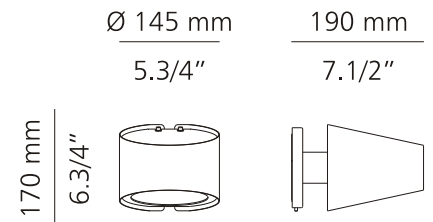
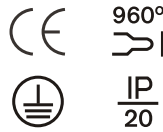


# MIKONOS

A-2520 USA 493025202

Aplique metálico con luz directa e indirecta. Vidrio óptico satinado en parte superior e inferior.

*Metallic wall sconce providing direct and indirect light. Glass diffuser on top and bottom.*



## UL 1598 ELECTRICAL INSTRUCTIONS FOR FLUSHMOUNTS, WALL SCONCES AND PENDANTS

SAVE THESE INSTRUCTIONS. MIN 90C SUPPLY CONDUCTORS. CAUTION-RISK OF FIRE. USE STATED WATT OR SMALLER. CAUTION-RISK OF SHOCK. DISCONNECT POWER BEFORE SERVICING. TO REDUCE THE RISK OF A BURN DURING RELAMPING, ALLOW THE BULB TO COOL DOWN. SUITABLE FOR DRY LOCATIONS ONLY. THIS PRODUCT MUST BE INSTALLED IN ACCORDANCE WITH THE APPLICABLE INSTALLATION CODE BY A PERSON FAMILIAR WITH THE CONSTRUCTION AND OPERATION OF THE PRODUCT AND THE HAZARD INVOLVED.

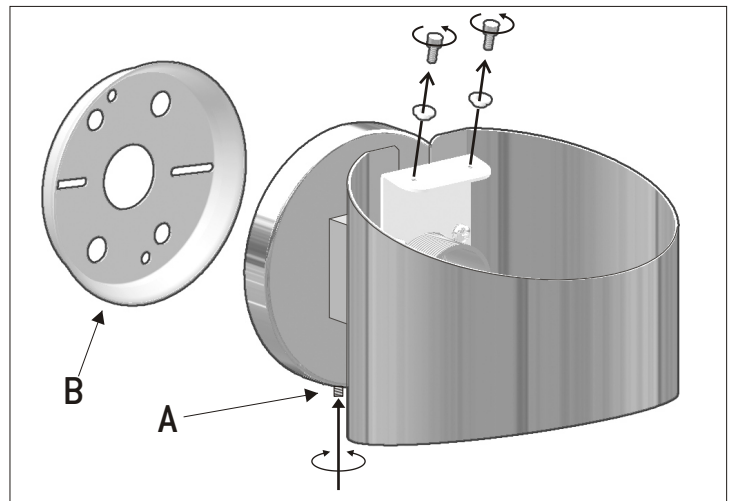
**WARNING:** ALL WIRES AND WIRE NUTS USED IN THE INSTALLATION MUST BE RATED 195F (90°C). FOR INDOOR USE ONLY. THESE PRODUCT MUST BE INSTALLED BY A QUALIFIED ELECTRICIAN.

### Instrucciones /Assembly instructions

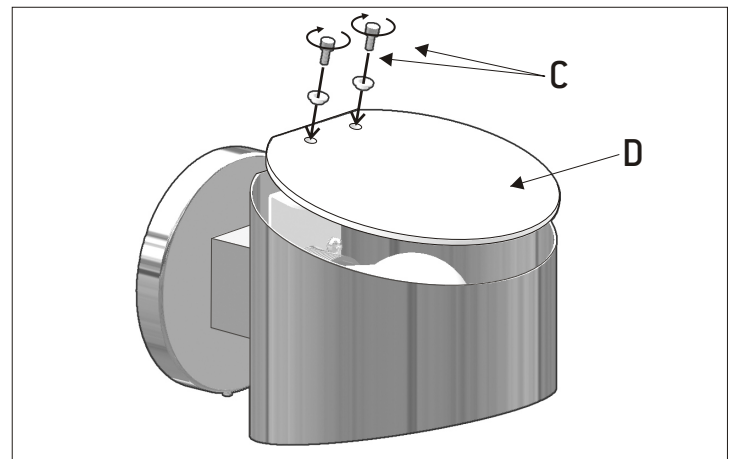
1- Liberar la sujeción [B] desatornillando el tornillo [A] situado en la parte inferior del aplique. Pasar los cables de la red eléctrica hacia el interior de la sujeción. Atornillar la sujeción a la pared. Conectar los cables mediante la regleta suministrada asegurándose de conectar el cable de tierra en el lugar correspondiente. Acoplar el aplique a la sujeción atornillando de nuevo el tornillo [A]. Colocar la bombilla. Ver Fig. 1.

1- Remove the mounting bracket [B] by loosening the screw [A] located on the bottom of the wall sconce. Insert the electrical wires from the outlet box into the mounting bracket and affix it to the wall or to the electrical junction box. Connect the electrical wires using the wire connector provided, making sure the ground wire is properly connected. Attach the wall sconce to the mounting bracket using the screw [A] previously removed. Insert the bulb Figure 1.

1



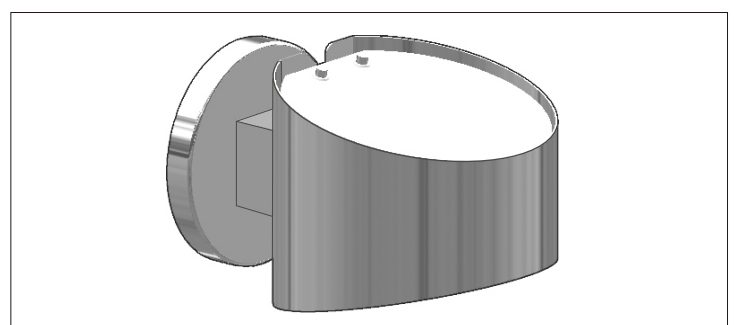
2



2-Desenroscar las tuercas grafiladas [C]. Colocar el cristal [D] (cara mate **abajo**) y volver a roscar las tuercas grafiladas [C]. Ver Fig.2 y 3.

2- Remove the knurled nuts [C]. Place the glass [D] with frosted side facing down. Screw the knurled nuts [C] removed previously back in place. Figure 2 and 3.

3



## ELECTRICAL MOUNTING INSTRUCTIONS FOR FLUSHMOUNT AND WALL SCONCE

- SAVE THESE INSTRUCTIONS.

### - Min. 90C SUPPLY CONDUCTORS

- CAUTION-RISK OF SHOCK. DISCONNECT POWER BEFORE SERVICING  
To reduce the risk of a burn during relamping, allow the bulb to cool down

- CAUTION-RISK OF FIRE. USE STATED WATT OR SMALLER.

- SUITABLE FOR DRY LOCATIONS ONLY.

- THIS PRODUCT MUST BE INSTALLED IN ACCORDANCE WITH THE APPLICABLE INSTALLATION CODE BY A PERSON FAMILIAR WITH THE CONSTRUCTION AND OPERATION OF THE PRODUCT AND THE HAZARDS INVOLVED.

#### WARNING:

- DO NOT USE A PLASTIC J-BOX TO INSTALL THIS PRODUCT.

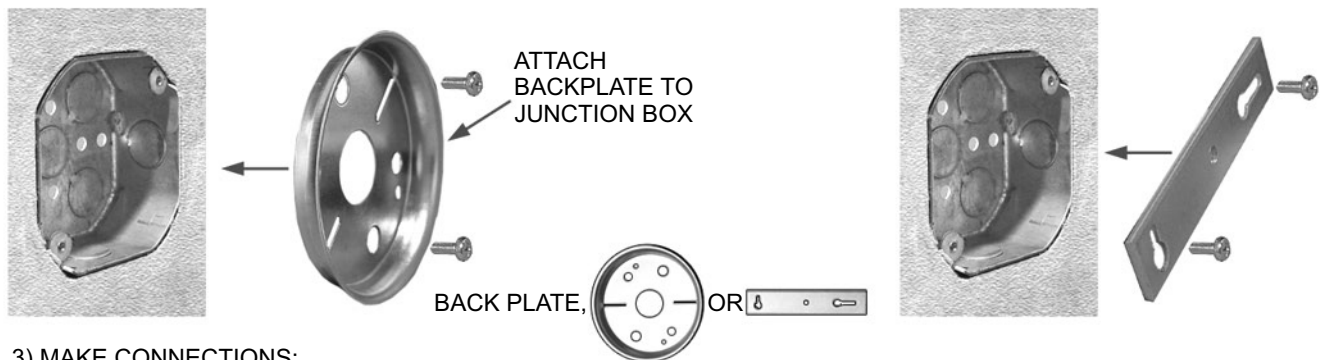
- ALL WIRES AND WIRE NUTS USED IN THE INSTALLATION MUST BE RATED 194~F (90~C).

- FOR INDOOR USE ONLY.

- THIS PRODUCT MUST BE INSTALLED BY A QUALIFIED ELECTRICIAN.

1) MAKE SURE THE ELECTRICITY IS SHUT OFF.

2) ATTACH METAL HARDWARE BACK PLATE TO JUNCTION BOX:



3) MAKE CONNECTIONS:

- GREEN & YELLOW = GROUND
- BLACK = HOT LEAD
- WHITE = NEUTRAL LEAD

4) **CAUTION:** PUSH SUPPLY LEADS SECURELY INTO JUNCTION BOX BEFORE PERMANENT MOUNTING.

5) ATTACH CANOPY TO BACK PLATE.

