

DATASHEET

Type: **BAMBOO FOREST**
Name: Pendant light
ID: PC1331
Designed by: Fumie Shibata Desing SS company



Download

Description

Bamboo Forest by Fumie Shibata draws inspiration from the vertical contours rising up in stands of bamboo. Conceived to evoke a unique atmospheric ambience, the handsculpted glass forms a bamboo stalk complete with the typical nodal ring, where the material thickens, creating a soft accent in the form of subtle shadows. With different types and varying positions of the node on the stalks, thanks to which the origins of the collection are at once recognizable, compositions of multiple lights transform the interior into a sanctuary replete with the soothing tranquillity of a natural bamboo forest. The lights also work well as solitary pieces. A diffuser with 90% transparency bends the light and creates a striking accent in the interior. The lights in the Bamboo Forest collection come in six different types and are available in either opaline or brown or light grey smoke glass. The innovative BROKIS connector enhances the overall variability of the lights by simplifying not only installation of large sets but also maintenance and cleaning. Furthermore, the connectors make it easy to rearrange the lights for a refreshing new lumiscape any time the mood strikes. Bamboo Forest is unique for the unusual shape of the lights as well as for the possibilities the collection offers in creating both original combinations and single-point accent lighting in interior spaces.



Tech. description

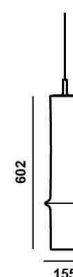
The pendant comprises an outer dural fixture housing an LED module, an inner dural fixture, a diffuser, and a glass shade anchored between the two fixtures via a threaded connection. The pendant is hung from a metal ceiling canopy containing the electronics by means of the power cable fitted with a BROKIS connector.

Colours options: https://brokis.sharepoint.com/:b:/s/brokis_sp/EX4ecAWyqXhDmKDmxfdHbVkBbA5ZQHLozm2U7sXCv87zaw

CONSTRUCTION SPECIFICATION

Weight: 4.5 kg
Construction material: glass, metal
Cord length [mm]: 2,200 mm
Mounting: Ceiling
Environment: Indoor

DIMENSIONS [mm]



ELECTRICAL SPECIFICATION

Input voltage [V]: 100 - 240 V
Frequency [Hz]: 50-60 Hz
Max. power [W]: 7.7 W
Coverage IP: 20
Socket: -
Light source: LED module
Energy class: E

CERTIFICATIONS



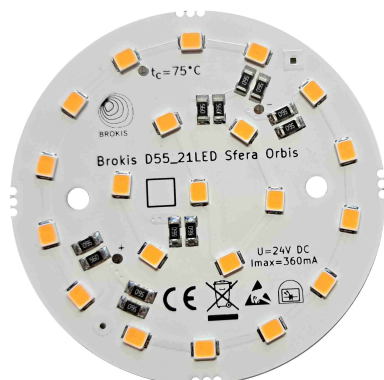
BROKIS®

BROKIS S.R.O.
ŠPANILOVA 1315/25
163 00 PRAHA 6 - ŘEPY
CZECH REPUBLIC

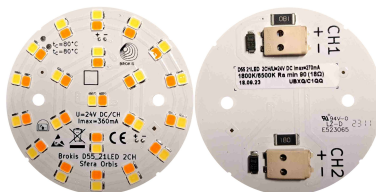
ORG ID 64940799
VAT ID CZ64940799
C 42174 MĚSTSKÝ SOUD
V PRAZE

TEL +420 567 211 517
TECHNICAL@BROKIS.CZ
INFO@BROKIS.CZ
WWW.BROKIS.CZ

2023_11
PAGE 1



CM16714



CM17129

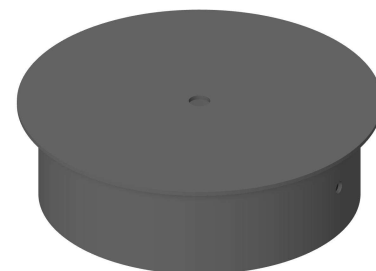
Type	LED module
Lamp wattage [W]	6.5 W
Input voltage [V]	24 VDC
Energy class	E
Flux [lm]	735 lm
Light colour [K]	2700 K
CRI	90+
Dimmable	yes

Type	LED module
Lamp wattage [W]	6.5 W
Input voltage [V]	24 VDC
Energy class	E
Flux [lm]	735 lm
Light colour [K]	1800-6500 K
CRI	90+
Dimmable	yes

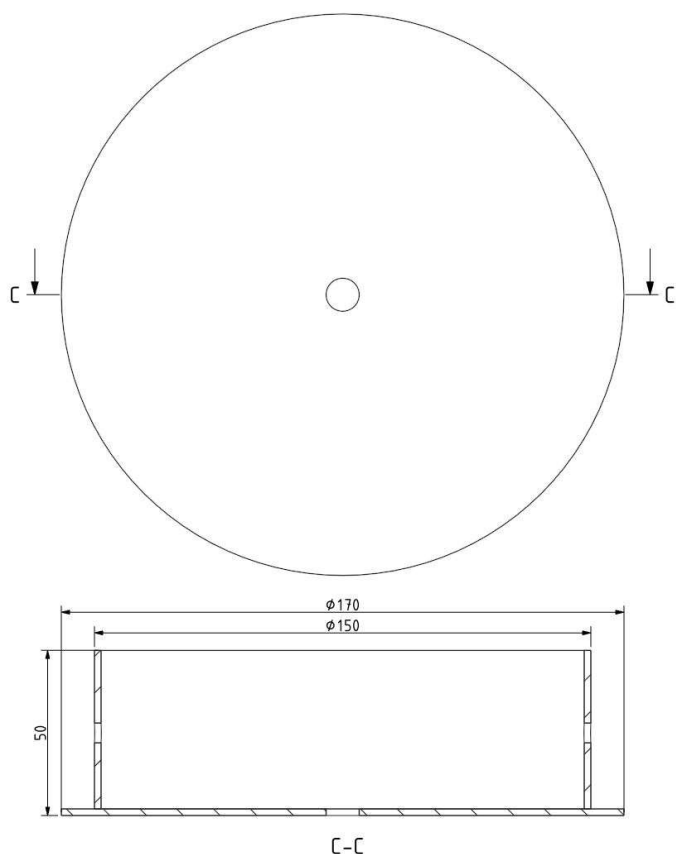


INNER FIXTURE

Dimensions O x w [mm] 170 x 50 mm
Weight [kg] 1.2 kg
Material metal



Drawing



Hole placement

