

KEPLER

Arihiro Miyake

The Kepler collection is made of painted extruded aluminium, whose continuous line is obtained through a three-dimensional manufacturing process developed by Nemo. Designed on the basis of the mathematical principle of the Möbius strip. Diffuser in opaque technopolymer.



UPLIGHT 3000K

LAMPING

Source	linear LED
Total power	70W
Emission	diffused
Switching	dimnable
Tension	120V
Color temperature	3000K
Luminous flux	4000lm
Typ CRI	85
IP class	20
Dimensions	Ø 43.3" x 15.7" H
Materials	aluminum + pc
Notes	adjustable cable length 8.2' max, 3500K and 4000K available on request, extra cable on request, integral driver dual capability TRIAC-ELV and 0-10V
Net lamp weight	19,8 lbs

Codes

KEP LNN 51
KEPLWW51
KEP LOW 51

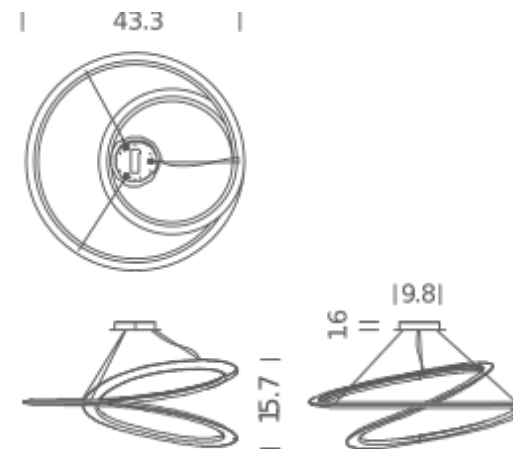
Structure

black
white
gold

PACKAGE

Package 01
Dimension: 47.6" x 47.6" x 20.5" inches / Gross weight:
41,9 lbs

Certificazioni



DOWNLIGHT 3000K

LAMPING

Source	linear LED
Total power	70W
Emission	diffused
Switching	dimnable
Tension	120V
Color temperature	3000K
Luminous flux	4000lm
Typ CRI	85
IP class	20
Dimensions	Ø 43.3" x 15.7" H
Materials	aluminum + pc
Notes	adjustable cable length 8.2' max, 3500K and 4000K available on request, extra cable on request, integral driver dual capability TRIAC-ELV and 0-10V
Net lamp weight	19,8 lbs

Codes

KEP LNN 52
KEPLWW52
KEP LOW 52

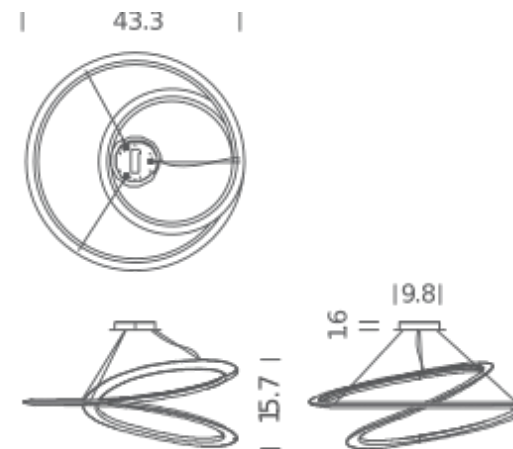
Structure

black
white
gold

PACKAGE

Package 01
Dimension: 47.6" x 47.6" x 20.5" inches / Gross weight:
41,9 lbs

Certificazioni



UPLIGHT 2700K

LAMPING

Source	linearLED
Total power	70W
Emission	diffused
Switching	dimnable
Tension	120V
Color temperature	2700K
Luminous flux	4000lm
Typ CRI	85
IP class	20
Dimensions	Ø 43.3" x 15.7" H
Materials	aluminum + pc
Notes	adjustable cable length 8.2' max, 3500K and 4000K available on request, extra cable on request, integral driver dual capability TRIAC-ELV and 0-10V
Net lamp weight	19,8 lbs

Codes

KEP LNN 53
KEP LWW 53
KEP LOW 53

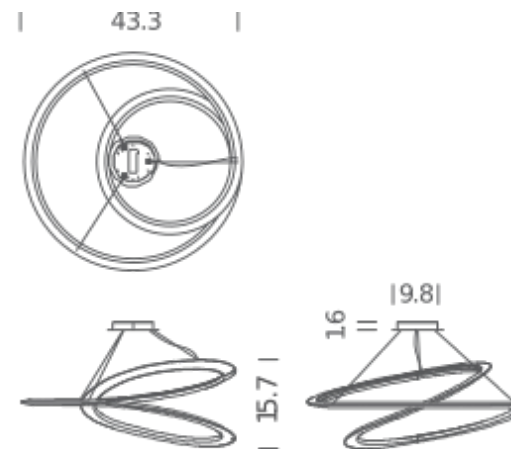
Structure

black
white
gold

PACKAGE

Package 01
Dimension: 47.6" x 47.6" x 20.5" inches / Gross weight:
41,9 lbs

Certificazioni



DOWNLIGHT 2700K

LAMPING

Source	Linear LED
Total power	70W
Emission	diffused
Switching	dimnable
Tension	120V
Color temperature	2700K
Luminous flux	4000lm
Typ CRI	85
IP class	20
Dimensions	Ø 43.3" x 15.7" H
Materials	aluminum + pc
Notes	adjustable cable length 8.2' max, 3500K and 4000K available on request, extra cable on request, integral driver dual capability TRIAC-ELV and 0-10V
Net lamp weight	19,8 lbs

Codes

KEP LNN 54
KEPLWW54
KEP LOW 54

Structure

black
white
gold

PACKAGE

Package 01
Dimension: 47.6" x 47.6" x 20.5" inches / Gross weight:
41,9 lbs

Certificazioni

