



COLUMN SERIES

HORIZONTAL 3-6 –

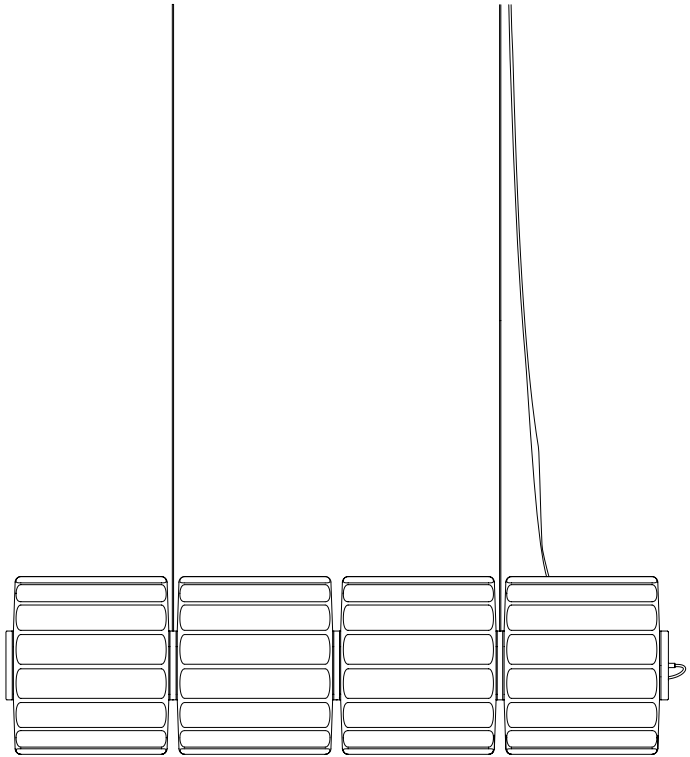
PENDANT

DESIGNER
LUKAS PEET

INSTRUCTIONS



SCAN HERE



NORTH AMERICA



a-n-d.com

INSTALLATION NOTES

The luminaire is powered by 24V DC. A constant voltage LED driver is required to operate the luminaire. The LED driver varies, depending on input voltage and dimming requirements.

A minimum of two people are required to install the Column Pendant.

For questions regarding installation, please email info@n-d.com



CARE INSTRUCTIONS

Always wear clean gloves when handling the luminaire. Clean finished surfaces with a soft, lint-free cloth. Clean acrylic diffuser with a soft lint-free cloth and a diluted solution of dish soap in warm water.

For replacement parts contact A-N-D directly.



WARNING

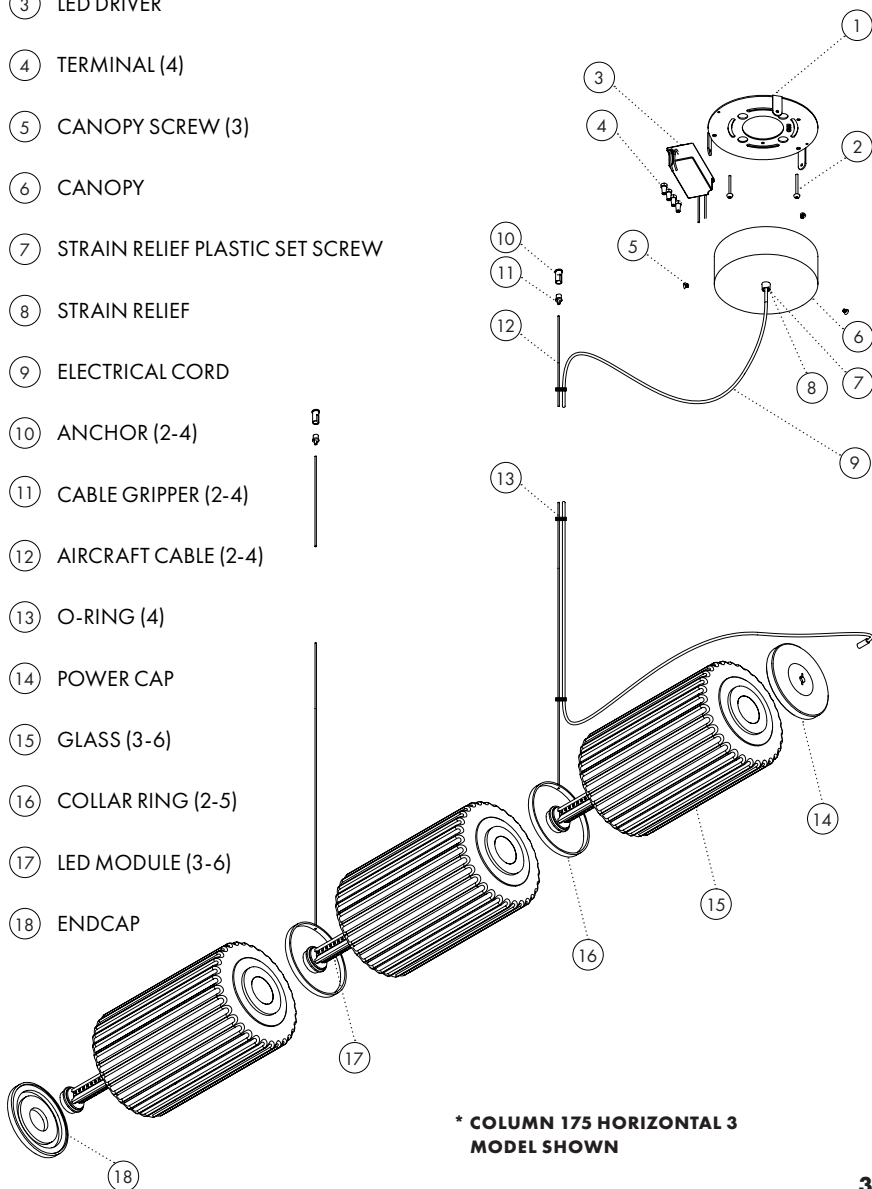
The luminaire must be installed by a qualified electrician in a dry indoor location.

Failure to meet any or all of these criteria will not only damage the luminaire, but will void both the warranty and all of its certifications.

COMPONENTS



- ① BACKPLATE
- ② #8-32 SCREW (2)
- ③ LED DRIVER
- ④ TERMINAL (4)
- ⑤ CANOPY SCREW (3)
- ⑥ CANOPY
- ⑦ STRAIN RELIEF PLASTIC SET SCREW
- ⑧ STRAIN RELIEF
- ⑨ ELECTRICAL CORD
- ⑩ ANCHOR (2-4)
- ⑪ CABLE GRIPPER (2-4)
- ⑫ AIRCRAFT CABLE (2-4)
- ⑬ O-RING (4)
- ⑭ POWER CAP
- ⑮ GLASS (3-6)
- ⑯ COLLAR RING (2-5)
- ⑰ LED MODULE (3-6)
- ⑱ ENDCAP



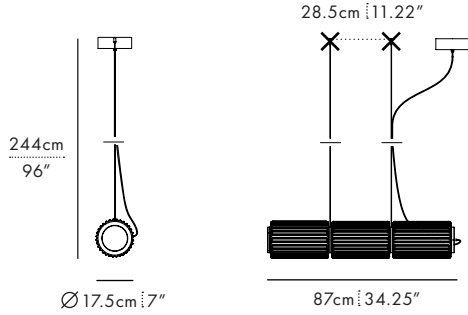
* COLUMN 175 HORIZONTAL 3
MODEL SHOWN

COLUMN 175 HORIZONTAL OPTIONS

WEIGHTS / ANCHOR POINTS

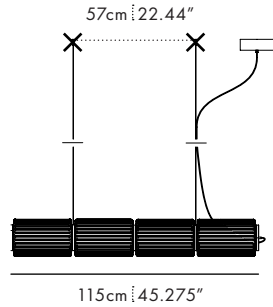
HORIZONTAL 3

17.1 lbs / 7.8 kg



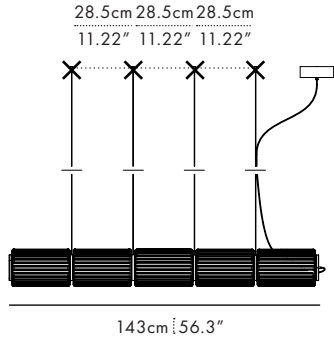
HORIZONTAL 4

21.7 lbs / 9.9 kg



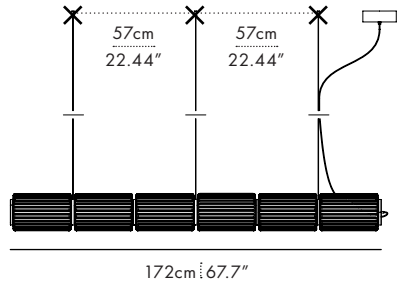
HORIZONTAL 5

26.3 lbs / 12 kg



HORIZONTAL 6

30.9 lbs / 14.1 kg



ANCHOR POINTS

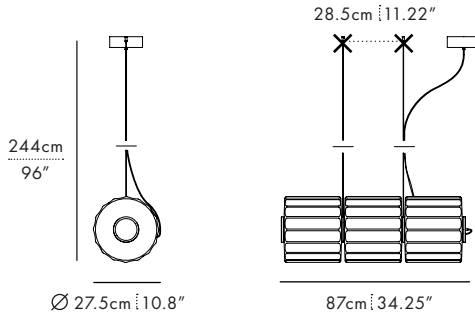
COLUMN 300 HORIZONTAL OPTIONS



WEIGHTS / ANCHOR POINTS

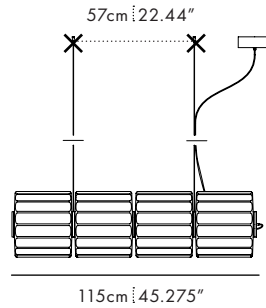
HORIZONTAL 3

29.7 lbs / 13.5 kg



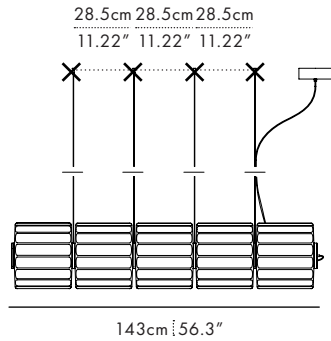
HORIZONTAL 4

38.8 lbs / 17.6 kg



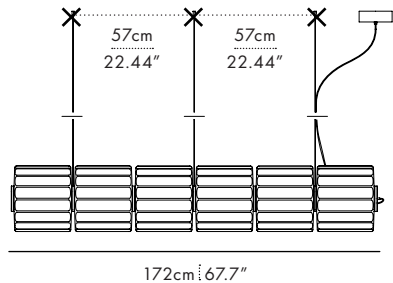
HORIZONTAL 5

47.9 lbs / 21.7 kg



HORIZONTAL 6

57 lbs / 25.8 kg



ANCHOR POINTS

LED DRIVER OPTIONS

The Column Pendant LED driver varies depending on dimming requirements and input voltage.

Use the ordering code to determine the driver selected:

ie. COL-175-3-P-H-CBN-27-010-277

DIMMING ----- INPUT VOLTAGE

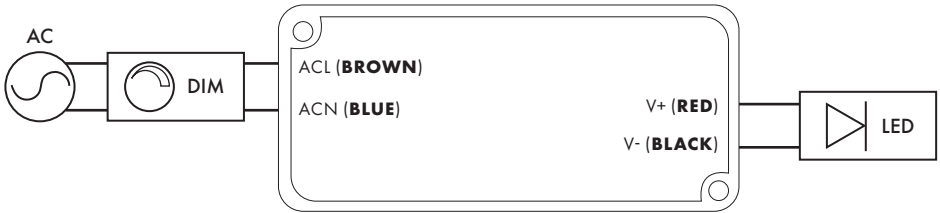
PHASE CUT DIMMING (PC)

M-40 SERIES - ES POWER

INPUT: 120VAC

OUTPUT: 24VDC, 75W

L x W x H: 140 x 49 x 32



0-10 + PWM DIMMING (010)

Q22-P SERIES - ES POWER

INPUT: 110-277VAC

OUTPUT: 24VDC, 60W

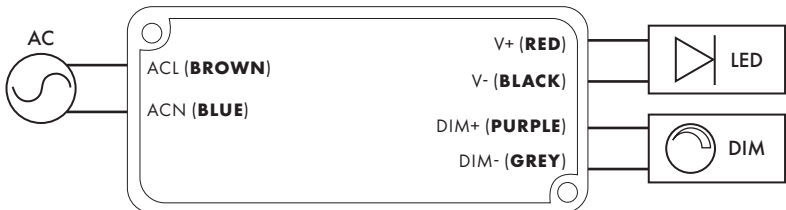
L x W x H: 111 x 44 x 32

Q22-P SERIES - ES POWER

INPUT: 110-277VAC

OUTPUT: 24VDC, 90W

L x W x H: 111 x 44 x 32



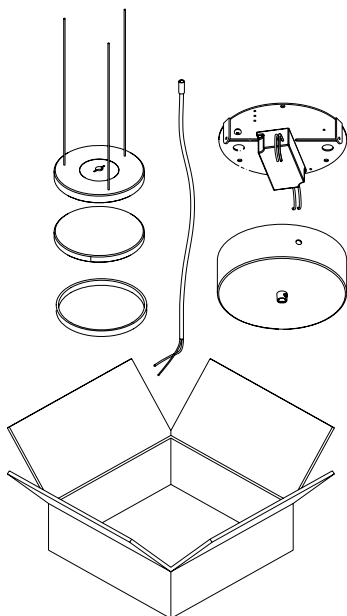
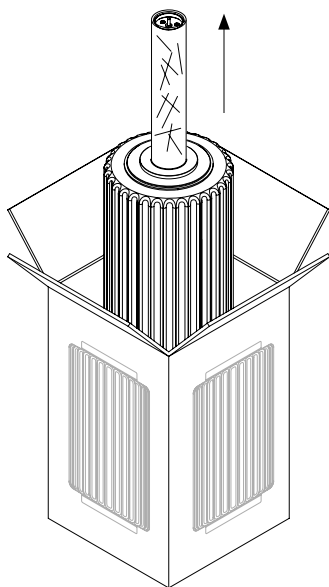
PREPARATION



STEP 1

Remove the wrapped LED module from each glass box and set aside.

The separate box contains all the required hardware for assembly.



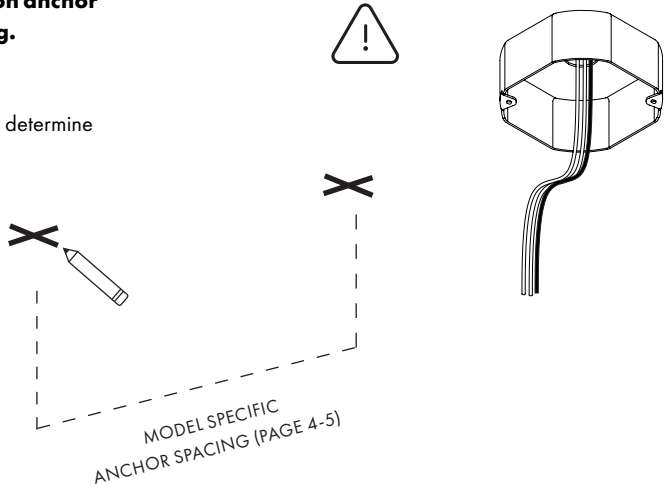
INSTALLATION

STEP 2

Mark the suspension anchor points on the ceiling.

⚠ Attention!

Refer to **PAGE 4 & 5** to determine the anchor spacing.



STEP 3

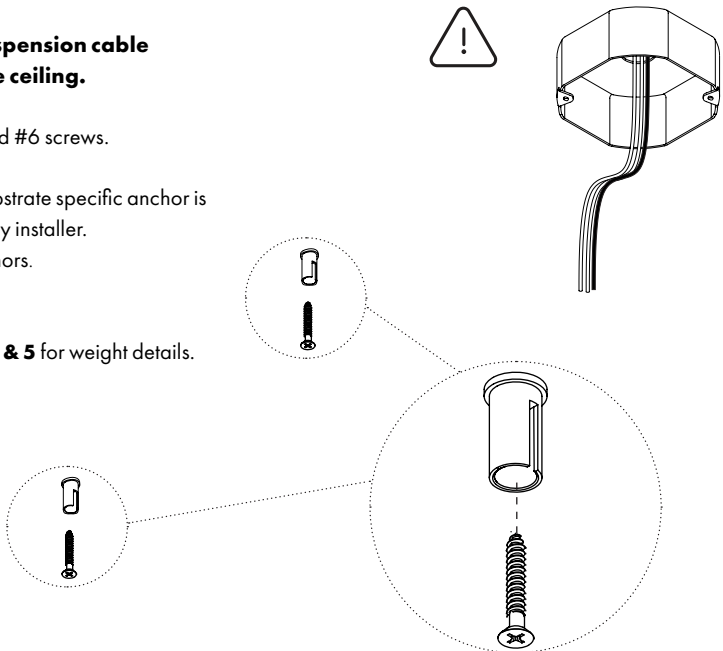
Attach the suspension cable anchors to the ceiling.

Use the provided #6 screws.

If required, a substrate specific anchor is to be provided by installer.
i.e. drywall anchors.

⚠ Attention!

Refer to **PAGE 4 & 5** for weight details.



STEP 4

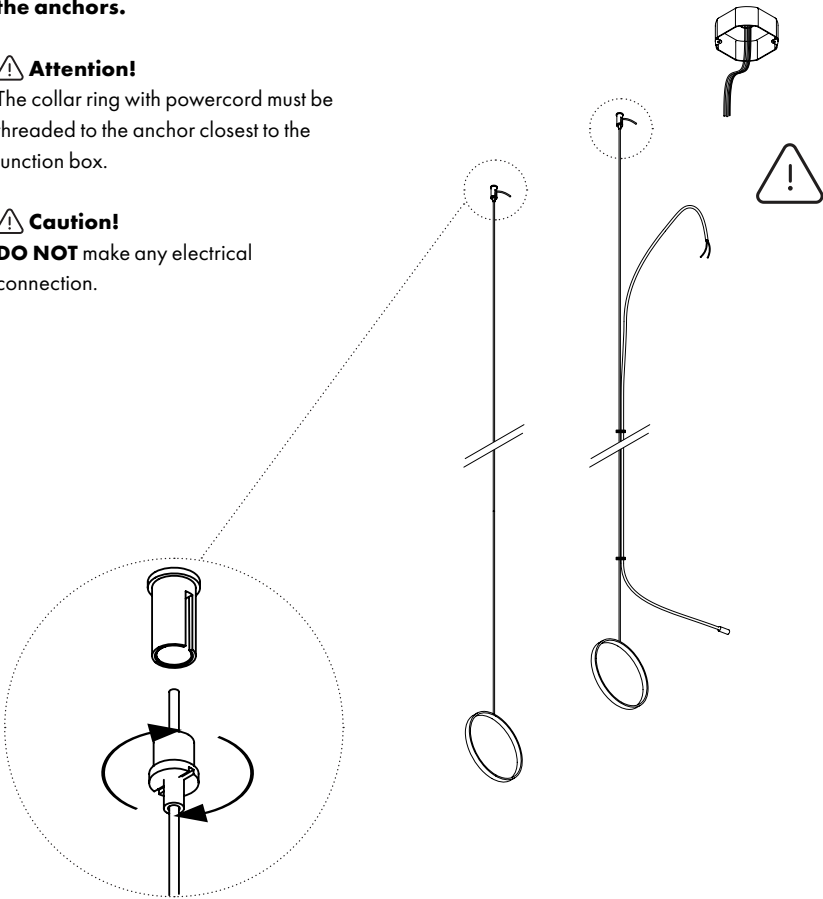
Thread each aircraft cable assembled on the collar rings to the anchors.

⚠ Attention!

The collar ring with powercord must be threaded to the anchor closest to the junction box.

⚠ Caution!

DO NOT make any electrical connection.



* COLUMN 175 HORIZONTAL 3
MODEL SHOWN

INSTALLATION – COLUMN 175

STEP 5A

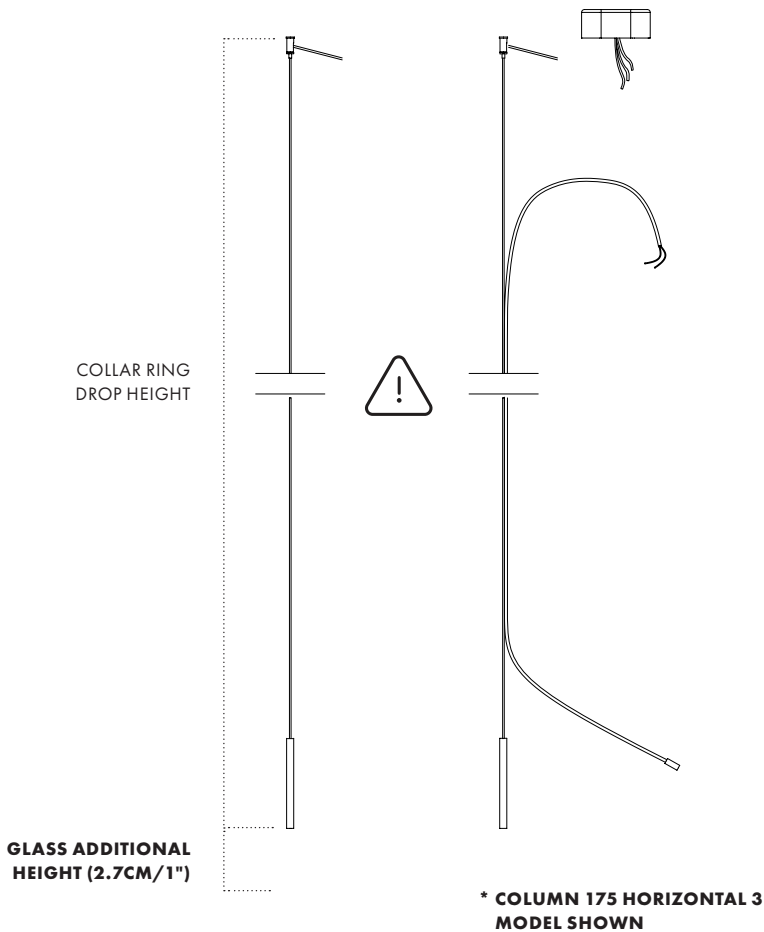
Determine the drop height of the fixture from the ceiling to the top of the collar rings. Do not cut the excess aircraft cable yet.

FOR COLUMN 175 HORIZONTAL ONLY

GLASS WILL HANG 2.7CM / 1" FROM THE BOTTOM OF THE COLLAR RING

⚠ Attention!

Ensure all the collar rings are at the same height.



INSTALLATION – COLUMN 300



STEP 5B

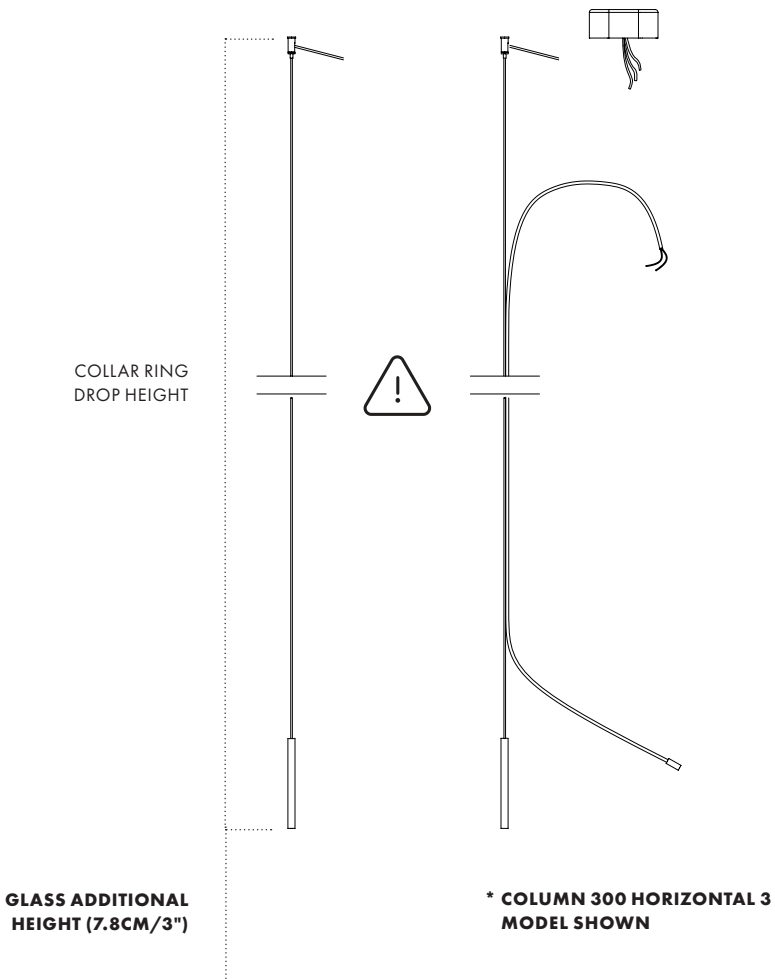
Determine the drop height of the fixture from the ceiling to the top of the collar rings. Do not cut the excess aircraft cable yet.

FOR COLUMN 300 HORIZONTAL ONLY

GLASSES WILL HANG 7.8CM / 3" FROM THE BOTTOM OF THE COLLAR RING.

⚠ Attention!

Ensure all the collar rings are at the same height.

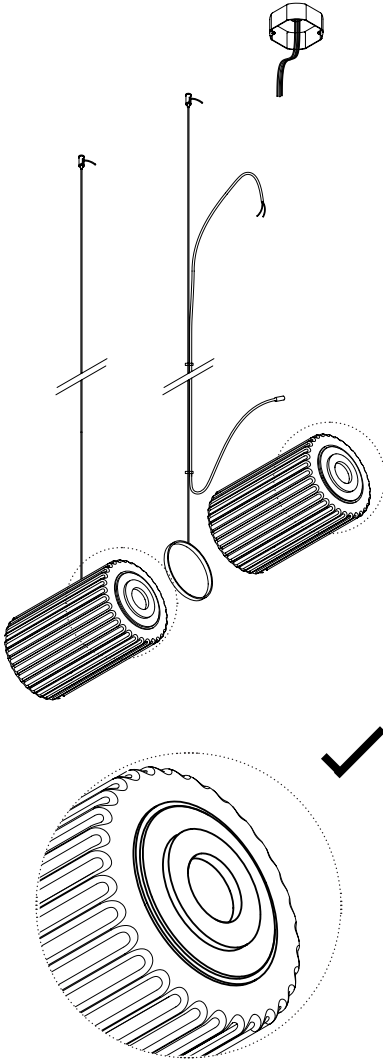


INSTALLATION

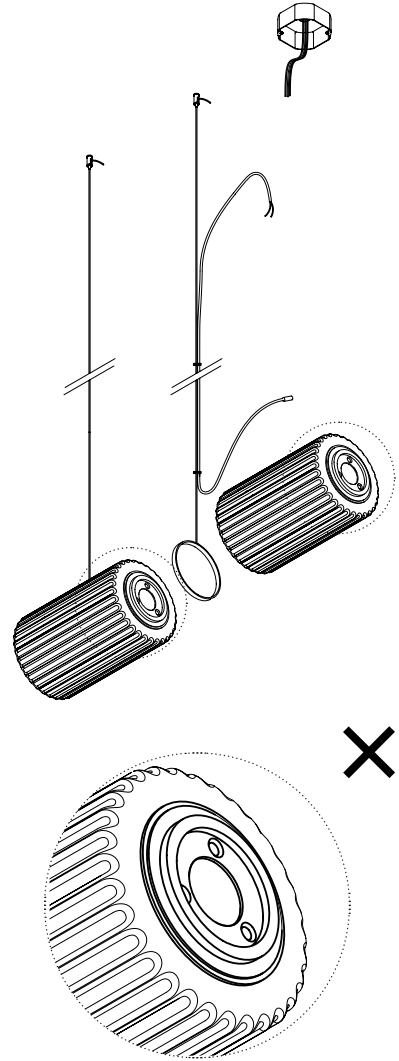
STEP 6

Before installing any glass, remember to orient as shown. Use the aircraft cable with powercord as reference to orient them correctly.

CORRECT GLASS ORIENTATION



INCORRECT GLASS ORIENTATION



* COLUMN 175 HORIZONTAL 3
MODEL SHOWN

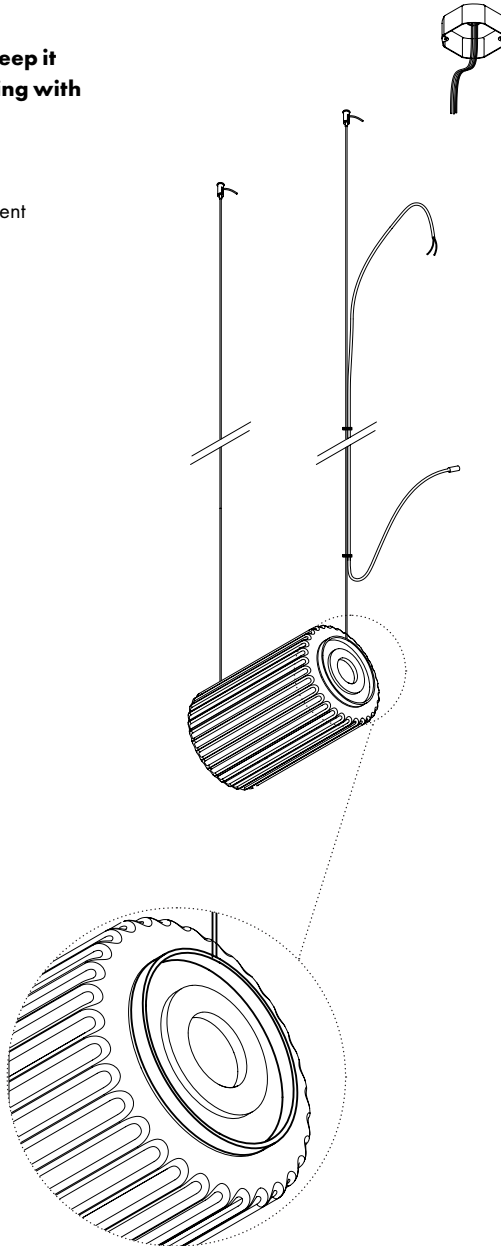
MODIFIED: 07/4/24

STEP 7

Lift the first glass and keep it centered to the collar ring with electrical cord.

⚠ Attention!

Remove any jewelry to prevent glass breakage.



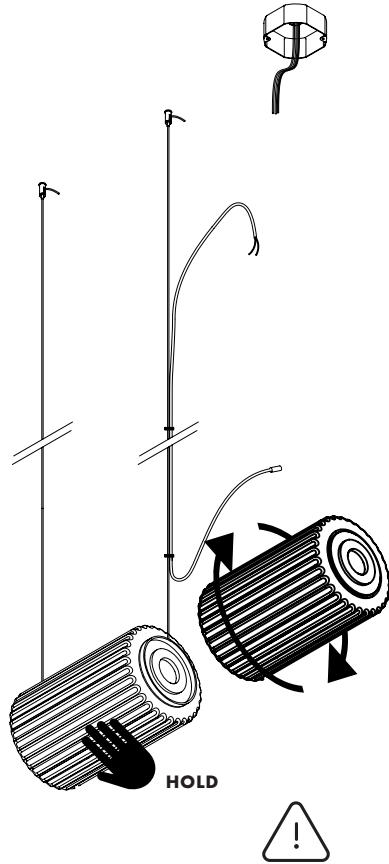
INSTALLATION

STEP 8

With help, while keeping the collar ring centered to the first glass, thread the second glass on it.

⚠ Attention!

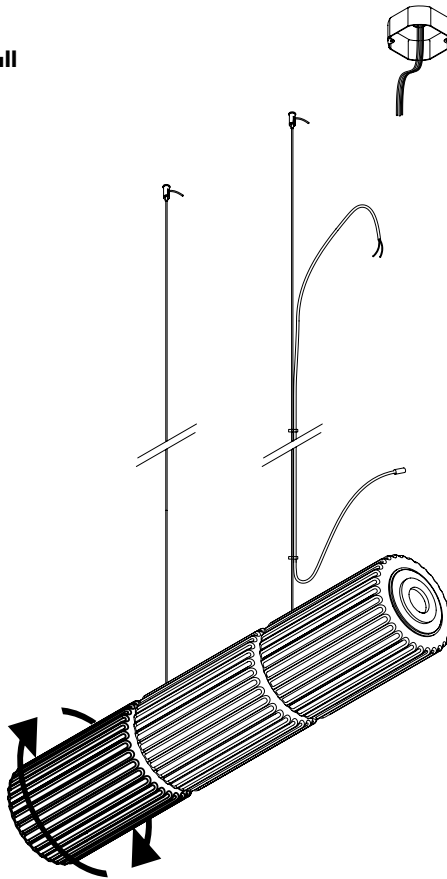
Remember to check correct glass orientation as shown at **STEP 6**.



* COLUMN 175 HORIZONTAL 3
MODEL SHOWN

STEP 9

Repeat the step 7 and 8 for all the glass required.



* COLUMN 175 HORIZONTAL 3
MODEL SHOWN

INSTALLATION

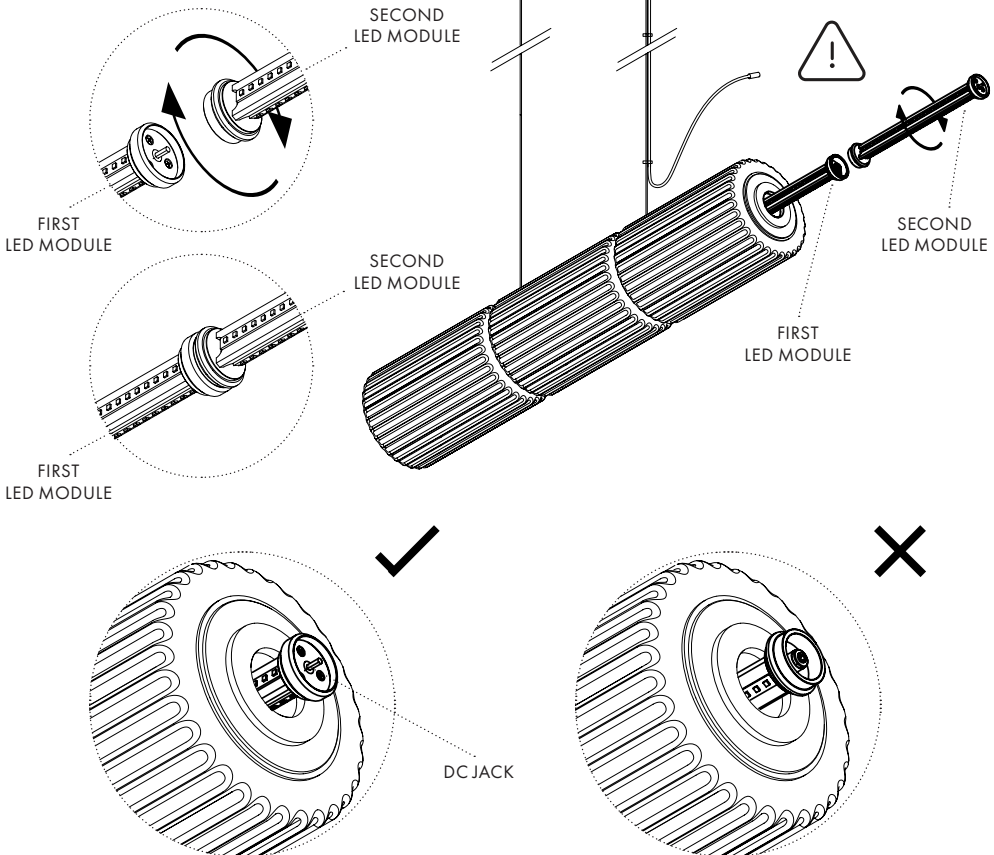
STEP 10

Slide the first LED module into the first glass and thread the second LED module together.

You can insert the LED module from either side of the fixture.

⚠ Attention!

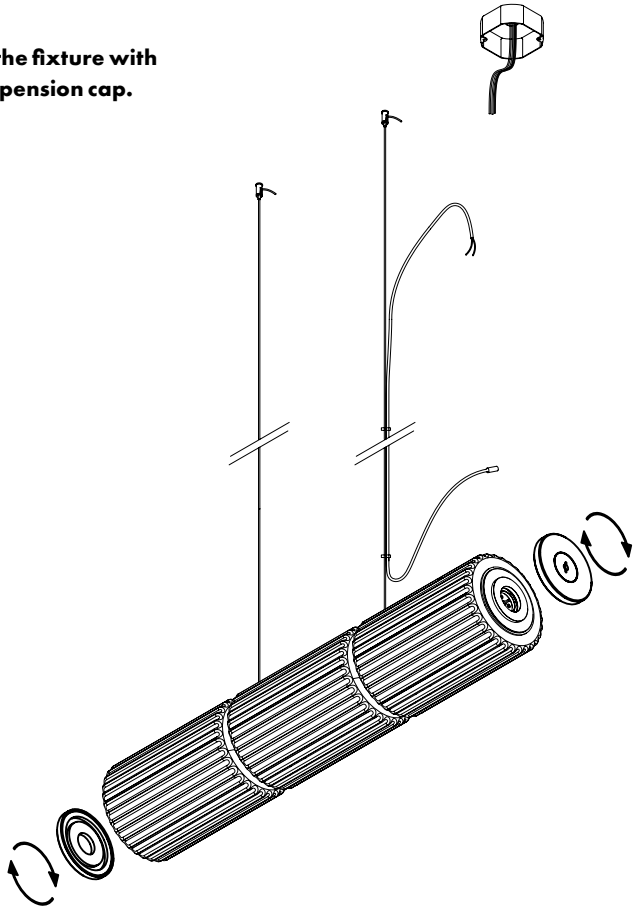
Ensure the side with the DC JACK is oriented as shown.



* COLUMN 175 HORIZONTAL 3
MODEL SHOWN

STEP 11

Close both ends of the fixture with the endcap and suspension cap.



INSTALLATION

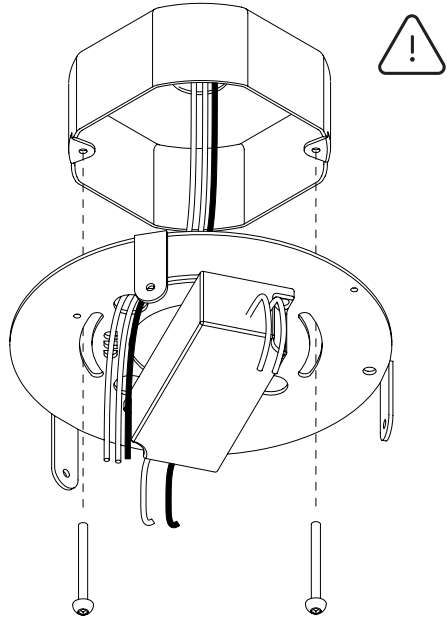
STEP 12

Mount the backplate to the ceiling.

Use the provided #8-32 screws. Anchors are provided by installer.

⚠ Caution!

Ensure that the power is disconnected at the breaker.



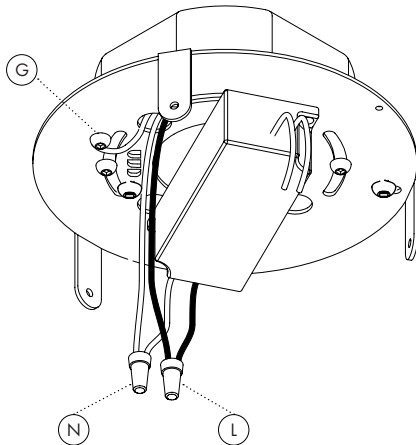
STEP 13

Connect the primary circuit on the LED driver to input power. Connect ground.

Black/brown wire = **Line** (L)

White/blue wire = **Neutral** (N)

Green screw = **Ground** (G)



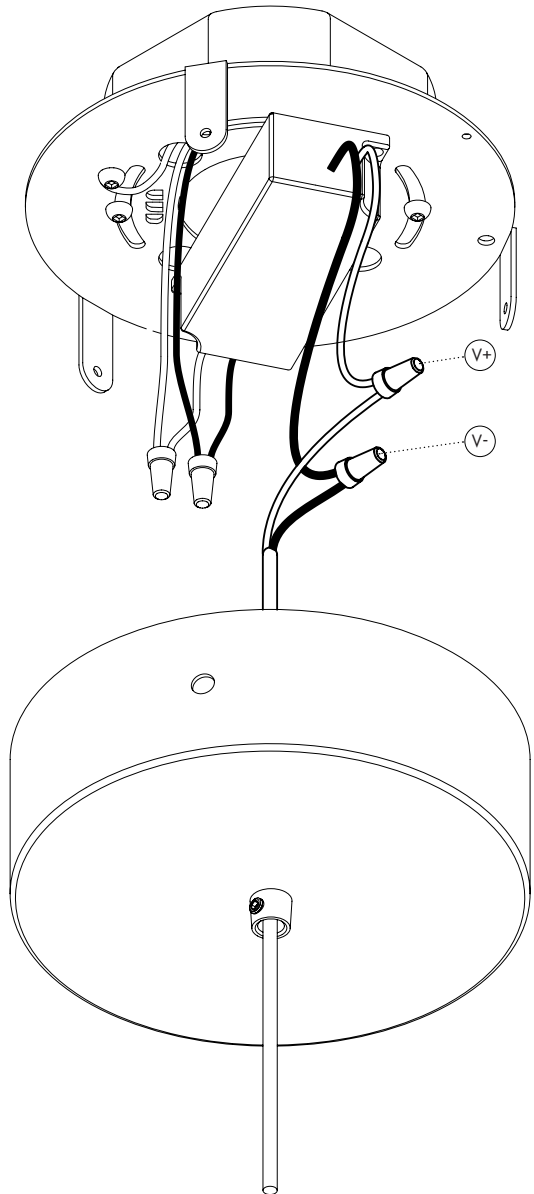
REFER TO PAGE 6: DRIVER OPTIONS FOR MORE DETAILS

STEP 14

Connect the luminaire to secondary circuit on LED driver.

Dashed line = **Positive** (V+)

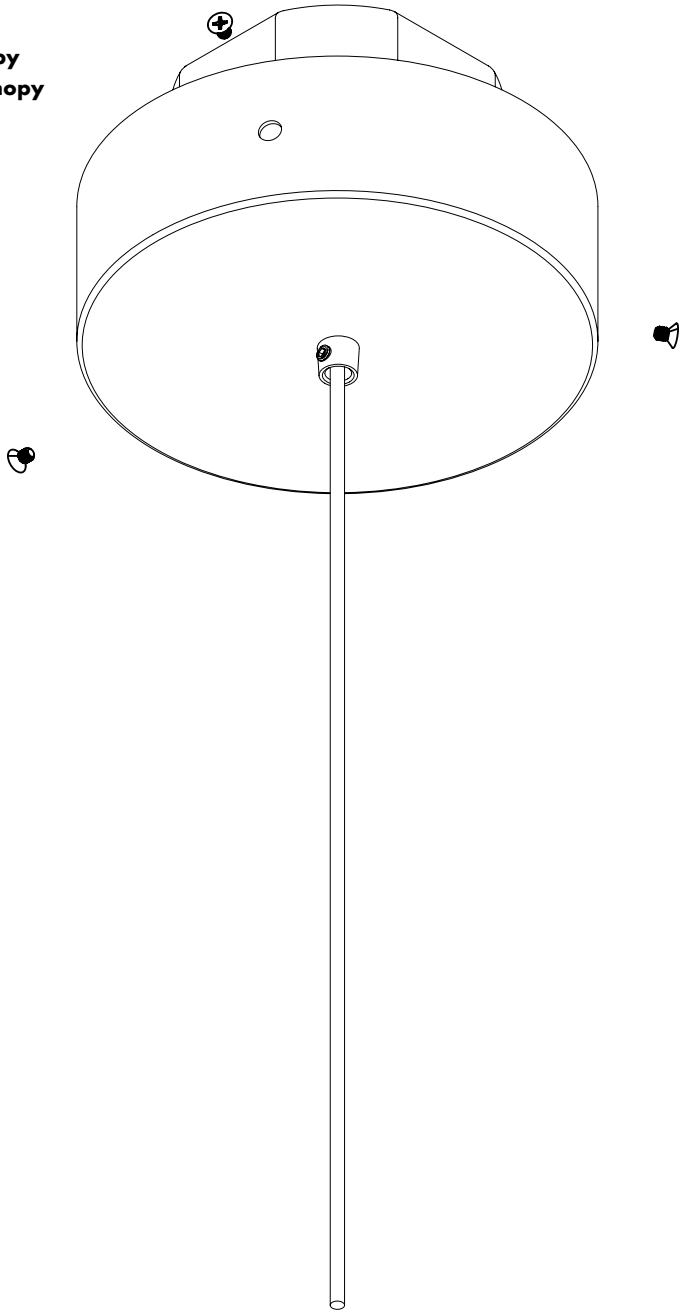
Black = **Negative** (V-)



REFER TO PAGE 6: DRIVER OPTIONS FOR MORE DETAILS

STEP 15

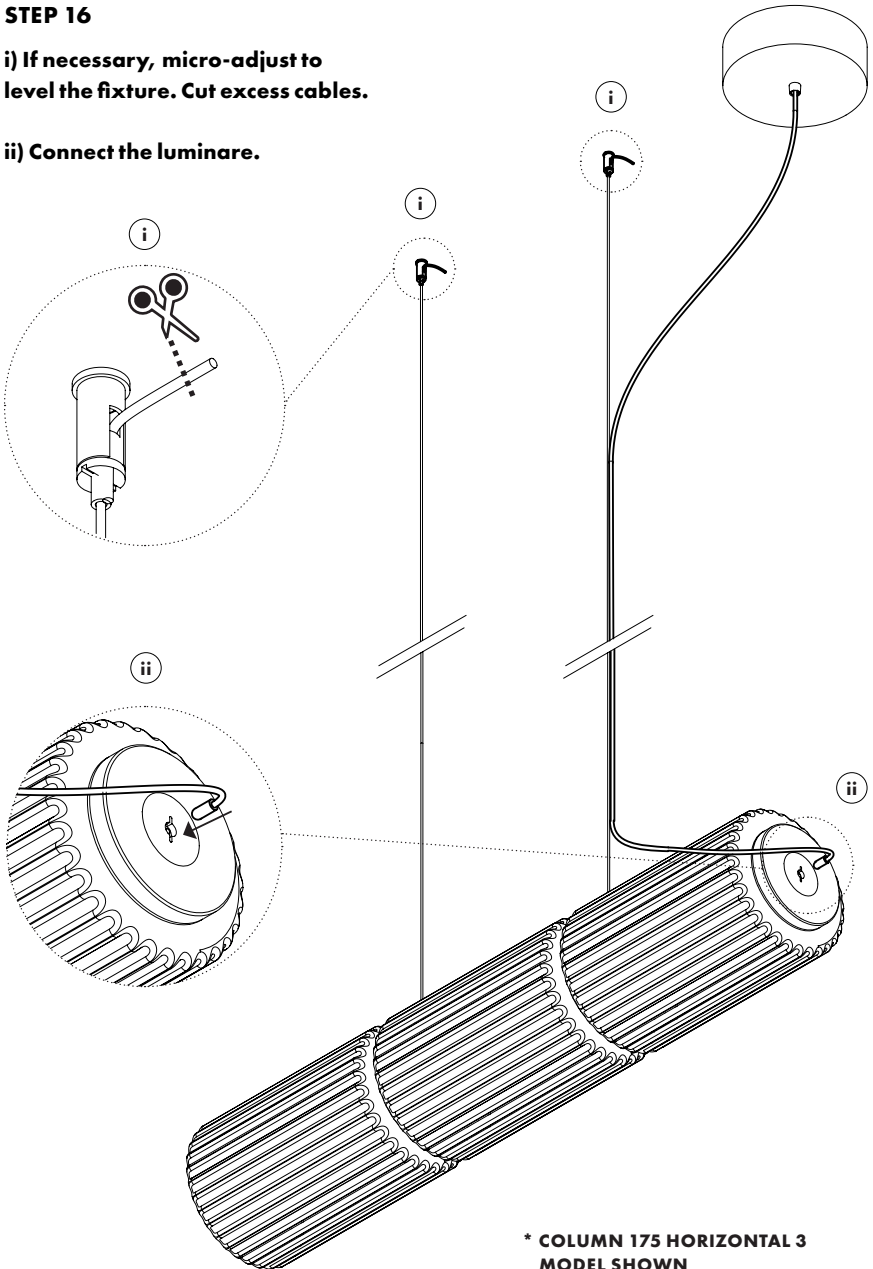
Using the provided canopy screws (3), attach the canopy to the backplate.



STEP 16

i) If necessary, micro-adjust to level the fixture. Cut excess cables.

ii) Connect the luminare.



*** COLUMN 175 HORIZONTAL 3
MODEL SHOWN**

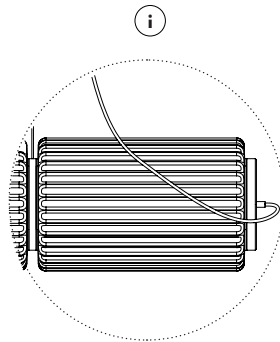
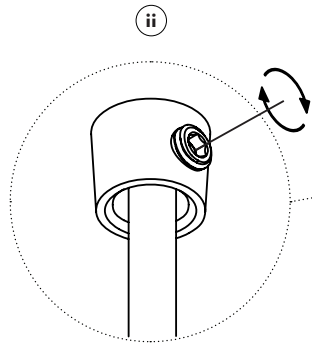
INSTALLATION

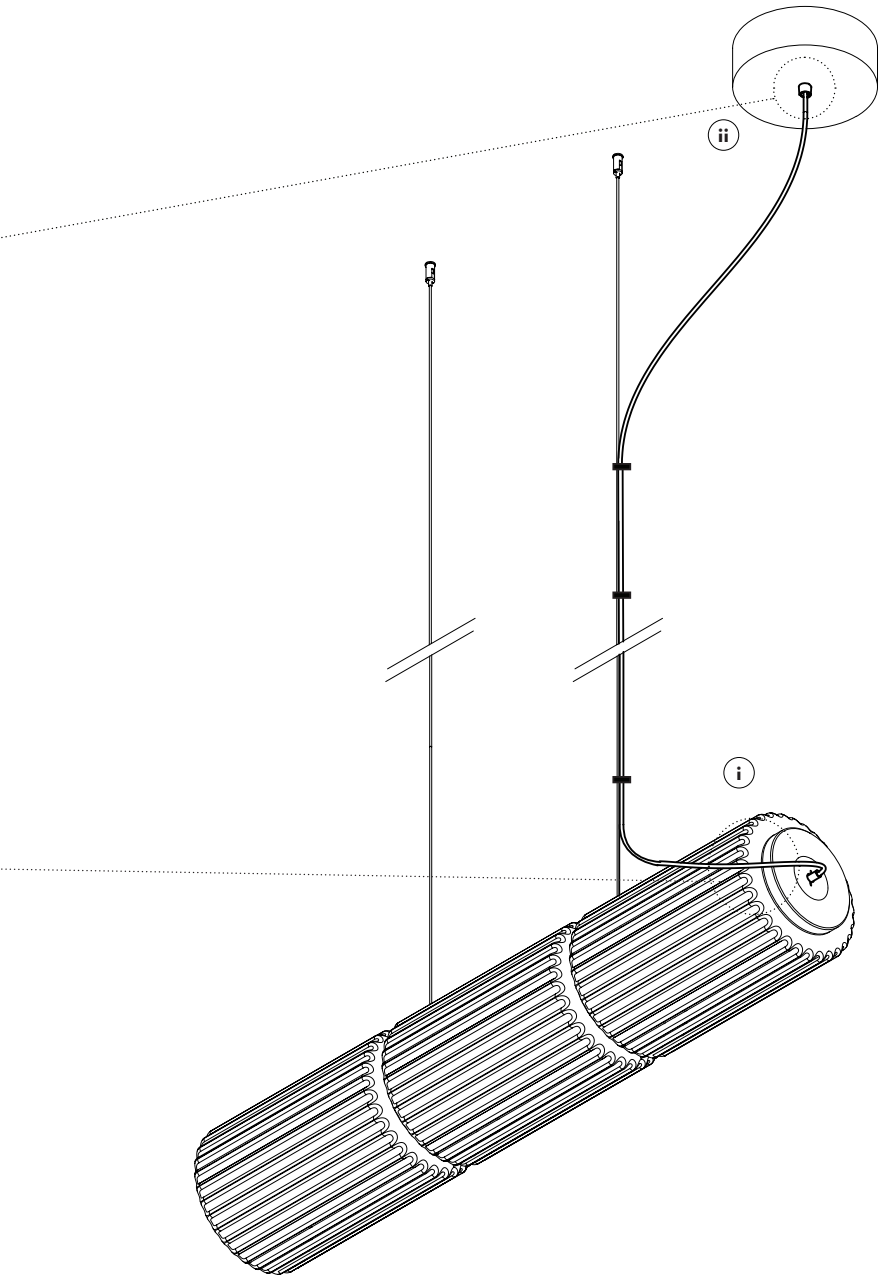
STEP 17

i) Adjust the position of the electrical cord as shown.

Used the o-rings to gently set the electrical cord on the glass.

ii) Secure the electrical cord tightening the plastic setscrew on the canopy.







For support, please contact:

info@n-d.com

+1 604 563 6938

A-N-D

1951 Franklin St,
Vancouver, BC
Canada V5L 0C7

n-d.com