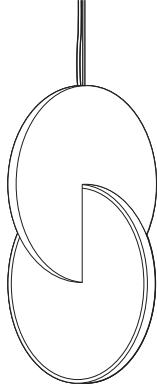
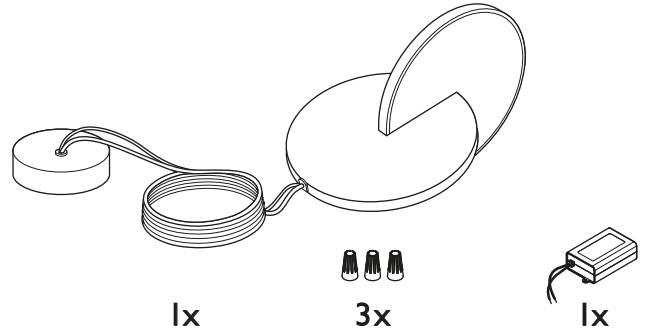


LEE BROOM

ECLIPSE PENDANT LIGHT



CONTENTS



ATTENTION! BEFORE YOU START

- Eclipse must be installed by a qualified electrician.
- Ensure power supply is disconnected prior to installation.
- This product is for interior use only and should be installed in a dry environment only.
- Please read the instructions carefully before you commence install.

ASSEMBLY - please see associated diagrams overleaf

• TERMINATE ALL MAINS SUPPLY WIRES BEFORE INSTALLATION.

LED DRIVER



- **IMPORTANT! LED DRIVER MUST BE USED, DO NOT WIRE THIS PRODUCT DIRECT TO MAINS SUPPLY.**
- **ENSURE TO USE DRIVER BEST SUITED TO DESIRED SET-UP OF THE PRODUCT.**

4. Mount back plate to required position on ceiling. Always use the appropriate fixings for the ceiling material. Fixings not supplied. For 110-130v only: This is a class 2 luminaire and shall only be mounted on an ungrounded outlet box.
5. Set desired drop height of the pendant. Pass tensile wire up through cable glider to raise the pendant light. To adjust pendant light lower, support full weight of pendant light, depress the nozzle of cable glider and pass the tensile wire down.
6. To adjust length of electrical cord, loosen screw on cord restraint and pass electrical cord through cord restraint. Tighten screw on cord restraint at desired length. Allow some slack in electrical cord so that full weight of pendant light is supported by the tensile wire.
7. Reattach canopy cover by threading end nut into the back plate.

CARE AND CLEANING

- Only clean when Eclipse is switched off.
- Please allow a suitable cooling period before cleaning.
- Only use a non-abrasive, soft, dry cloth when cleaning Eclipse.

1. Separate back plate from canopy cover by unscrewing end nut.
2. Connect the Eclipse electrical cord to the correct +/- 24v DC output terminals on LED driver. Please note: the live wire (L) connects to the positive (+) output and the neutral wire (N) connects to the negative (-) output.
3. Connect the mains supply live and neutral to the correct AC input terminals on LED driver. Cover unused earth wire with 2 layers of insulation tape.

For more information please contact:

US & Canada Inquiries: +1 212 804 8477 - sales@leebroom.com

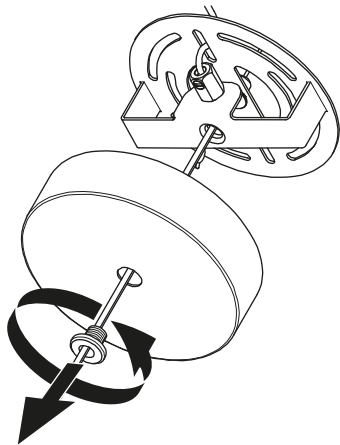
UK & Global Inquiries: +44 207 820 0742 - 95 Rivington Street, London, EC2A 3AY - info@leebroom.com

WWW.LEEBROOM.COM

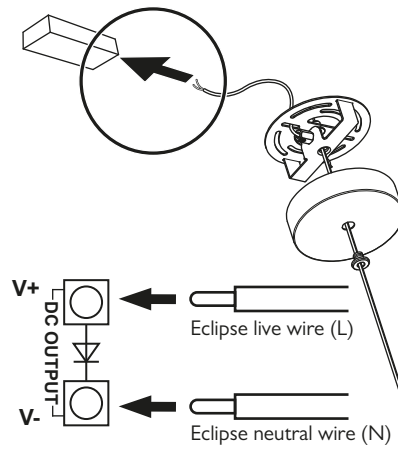


ASSEMBLY

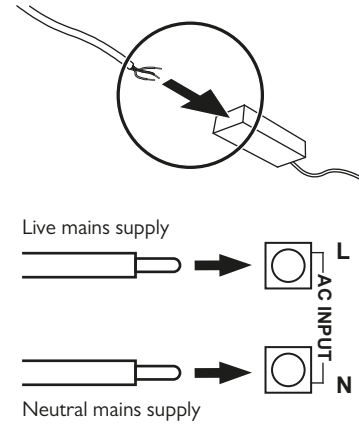
1.



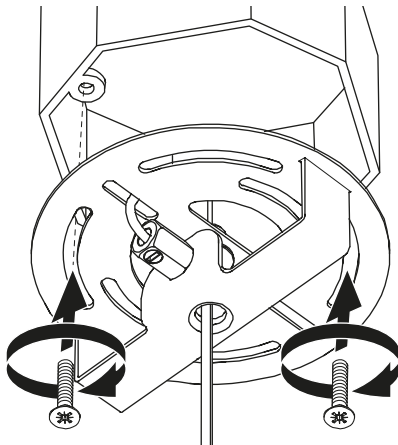
2.



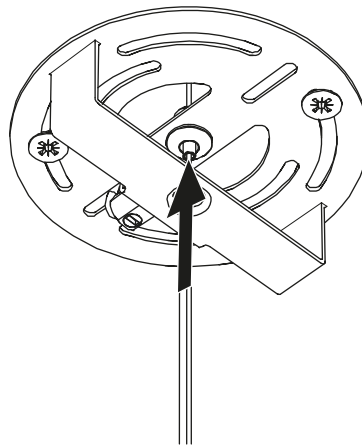
3.



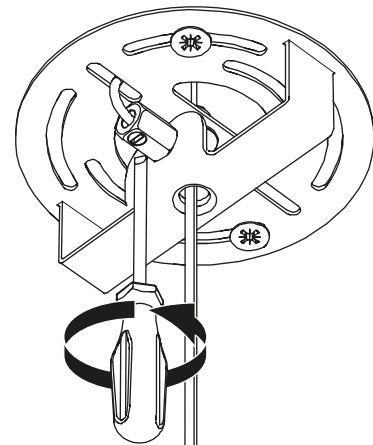
4.



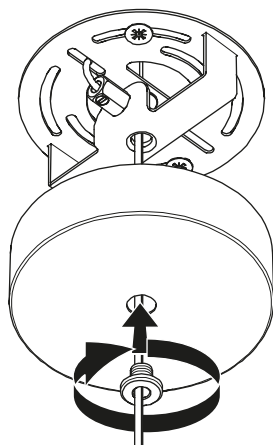
5.



6.



7.



For more information please contact:

US & Canada Inquiries: +1 212 804 8477 - sales@leebroom.com

UK & Global Inquiries: +44 207 820 0742 - 95 Rivington Street, London, EC2A 3AY - info@leebroom.com

WWW.LEEBROOM.COM

