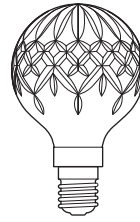
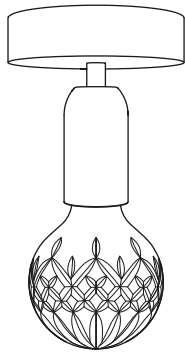


LEE BROOM

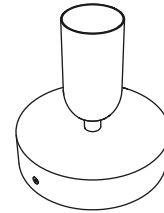
CRYSTAL BULB CEILING LIGHT

US: CB0163 / CB0164

CONTENTS



1 x Crystal Bulb
& 2W LED



1 x Ceiling Fitting



3 x Wire Nuts



1 x Allen Key

ATTENTION! BEFORE YOU START

For safety please read these instructions carefully before you commence install and retain them for future reference.

- Crystal Bulb Ceiling Light must be installed by a qualified electrician.
- Install according to latest NEC wiring regulations.
- Ensure mains power supply is disconnected prior to installation.
- This product is for interior use only and should be installed in a dry environment only.
- Bulb is supplied.
- When switched on Crystal Bulb may become hot.

TECHNICAL

110-130V ~ 60Hz; E26 MAX 2W LED



For more information, please contact:


US & Canada Inquiries: +1 212 804 8477 - sales@leebroom.com

UK & Global Inquiries: +44 207 820 0742 - info@leebroom.com

BULB REPLACEMENT

- Visit www.leebroom.com to purchase replacement 2W LED bulb.
- DO NOT use with a halogen bulb.
- Maximum wattage E26 2W LED, 110-130V.
- Ensure Crystal Bulb is switched off & cooled down before handling.
- For bulb replacement guide please see section B overleaf.

RECYCLING ELECTRICAL PRODUCTS

Lee Broom encourages all customers to notice this symbol  and avoid putting any waste electrical goods in domestic waste bins or containers. Please ensure waste electrical goods are disposed of at a suitable facility.

CARE AND CLEANING

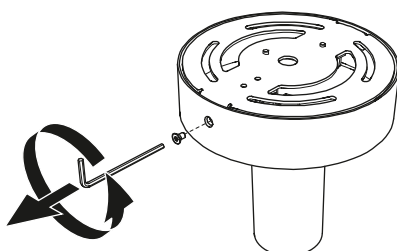
- Only clean when Crystal Bulb is switched off.
- Please allow a suitable cooling period before cleaning.
- Only use a non-abrasive, soft, dry cloth when cleaning Crystal Bulb.

ASSEMBLY

DISCONNECT ALL MAINS POWER SUPPLY WIRES BEFORE INSTALLATION.

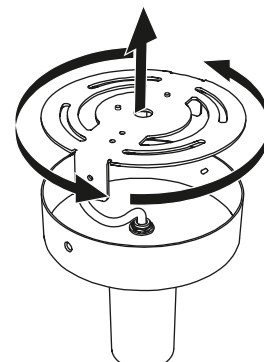
1.

Unscrew and remove the hex socket screw from the side of the ceiling fitting by using the Allen key supplied. Ensure to keep the screw safe for reassembly.



2.

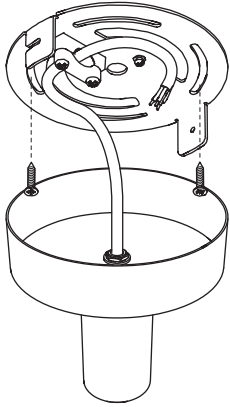
Separate the back plate from the ceiling fitting by turning the back plate anti-clockwise and pull apart.



ASSEMBLY

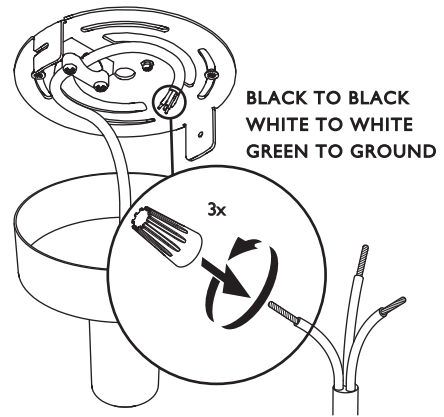
3.

Mount the back plate onto standard 4" octagonal junction box. If you do not have one in the desired position, get your electrician to install one. Fixings not supplied. Suitable junction box bolts should be used.



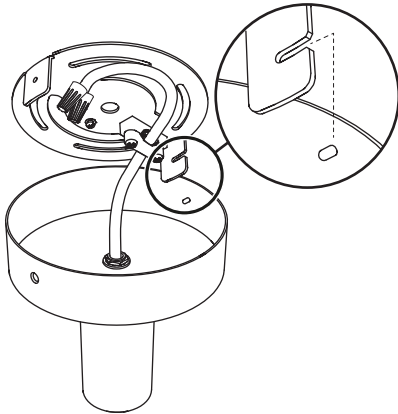
4.

Make electrical connections to the correct wires using the wire nuts provided. This product must be grounded.



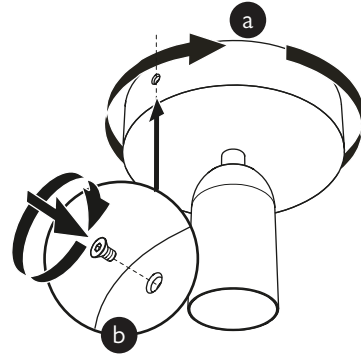
5.

Reassemble the ceiling fitting to the back plate. First locate the pin inside the ceiling fitting into the slot of the plate.



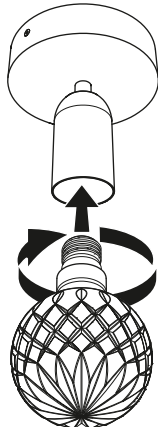
6.

- Turn whole fitting clockwise until the holes on ceiling fitting and back plate align.
- Insert and screw hex socket screw into side of the ceiling fitting ensuring it is fixed securely.



7.

Finally, screw the Crystal Bulb unit into the ceiling fitting.



B. BULB REPLACEMENT

- Unscrew the Crystal Bulb unit from the light fitting.
- Unscrew the 2W LED bulb from the Crystal Bulb globe.
- Screw new 2W LED bulb into the Crystal Bulb globe.
- Screw the Crystal Bulb unit back into the lamp holder.

