

FLOS

F1037057 Chrome

Bon Jour Unplugged

Designed by Philippe Starck, 2015

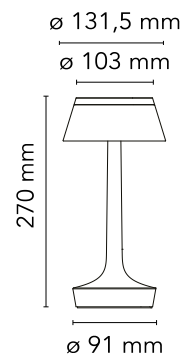


2.5W - 181lm - 2700K - CRI> 90

Cordless table lamp providing direct light. Painted or electroplated base and top cover in ABS. Injection moulded PMMA clear transparent diffuser. Edge Lighting technology light source. 6/24 hours battery life, rechargeable with Micro-USB. Optical switch sensor on the base that provide 4-step dimming function. USB-C charger cable included in the package useful length 120 cm. Plug-in USB battery charger with interchangeable plugs.

Are you a professional and your project needs consulting and support?

[BOOK AN APPOINTMENT](#)



Main specifications

EAN	8059607014530
Mounting	Table
Environments	Indoor dry location
Light Source Type	LED
LED type	LED Module
Power (W)	2.5
System flux (lm)	181

Physical

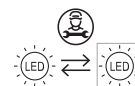
Colour	Chrome
Length (mm)	110
Net weight (kg)	0.55
Package height (mm)	170
Package width (mm)	230
Package length (mm)	375
Package volume (m3)	0.01
IP internal	20

Download

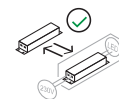
[Mounting instructions](#)  PDF
[Spare Parts](#)  PDF

Ecodesign and Energy Labelling

This product contains a light source of energy efficiency class F



Replaceable (LED only) light source by a professional



Replaceable control gear by an end-user



IP
20

<https://professional.flos.com/en/global/product/bon-jour-unplugged-f1037057/>

F1037057

©2022 Flos - P.IVA 00290820174 - 5/14/2024

professional.flos.com | info@flos.com 1/5

In our constantly evolving world and business, technical upgrades happen every day. This means all product specifications and data are subject to change without warning in order to improve reliability, function, performance or otherwise. We make every effort to ensure the accuracy of our product images, however due to different lighting and screens used for viewing, the colours may vary. Images are indicative of the quality and style of the product but may not represent the precise details of the product you receive. This is because we are constantly working to make improvements. For aesthetic reasons, cables and/or electrical elements are often not shown. Refer to technical data sheets for all technical data. Images and colours are not part of any contract or warranty in any way.

Schematic light drawing



Photometric

Light distribution	Roto symmetric
CCT (K)	2700
CRI>	90

Electrical

Insulation class	III
Frequency (Hz)	50/60
Main voltage (Vac)	100-240/5
LED voltage Vf (Vdc)	null
Driver	Remote included
Dimmable	Yes
Dimming type	Electronic 5V
Dimming interface	Dimmer Integrated
Plug type	Type G, Type A, Type C
Batteries inside	Yes
Battery type	LI-PO
Charging max power	14
Charging min time	3H - 0% TO 100%
Charging socket/connector	USB-C

Accessories & Power Supply



OPTIONAL

F1036000

Bon Jour Unplugged Crown



OPTIONAL

F1036007

Bon Jour Unplugged Crown



OPTIONAL

F1036030

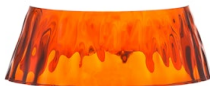
Bon Jour Unplugged Crown



OPTIONAL

F1036035

Bon Jour Unplugged Crown



OPTIONAL

F1036070

Bon Jour Unplugged Crown



OPTIONAL

F1036088

Bon Jour Unplugged Crown

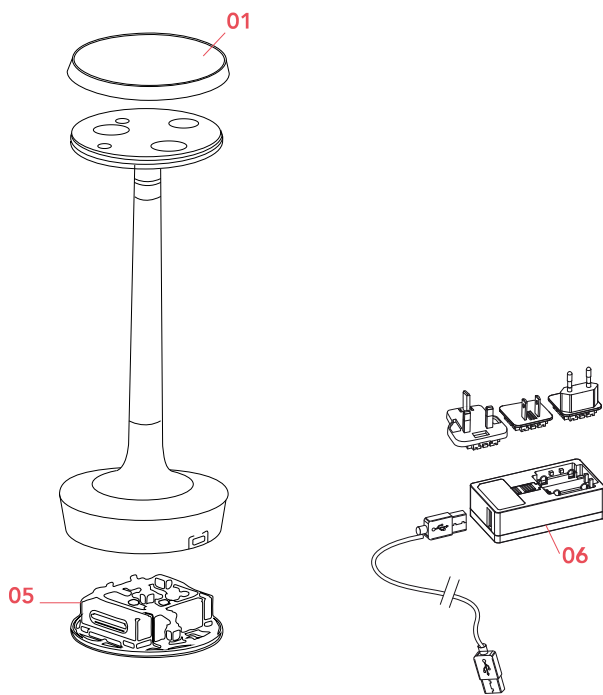


OPTIONAL

F1036019

Bon Jour Unplugged Crown

Spare Parts

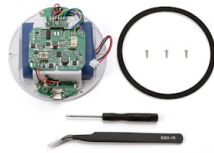


- | | | |
|-----|---|-----------|
| 01. | Top cover chrome assembly | RF25460 |
| 05. | Base assembly with new battery kit | RF1037200 |
| 06. | Power charger with electrical cable & plugs | RF1035109 |

DOWNLOAD



RF25460
Top cover chrome assembly



RF1037200
Base assembly with new battery
kit



RF1035109
Power charger with electrical
cable & plugs